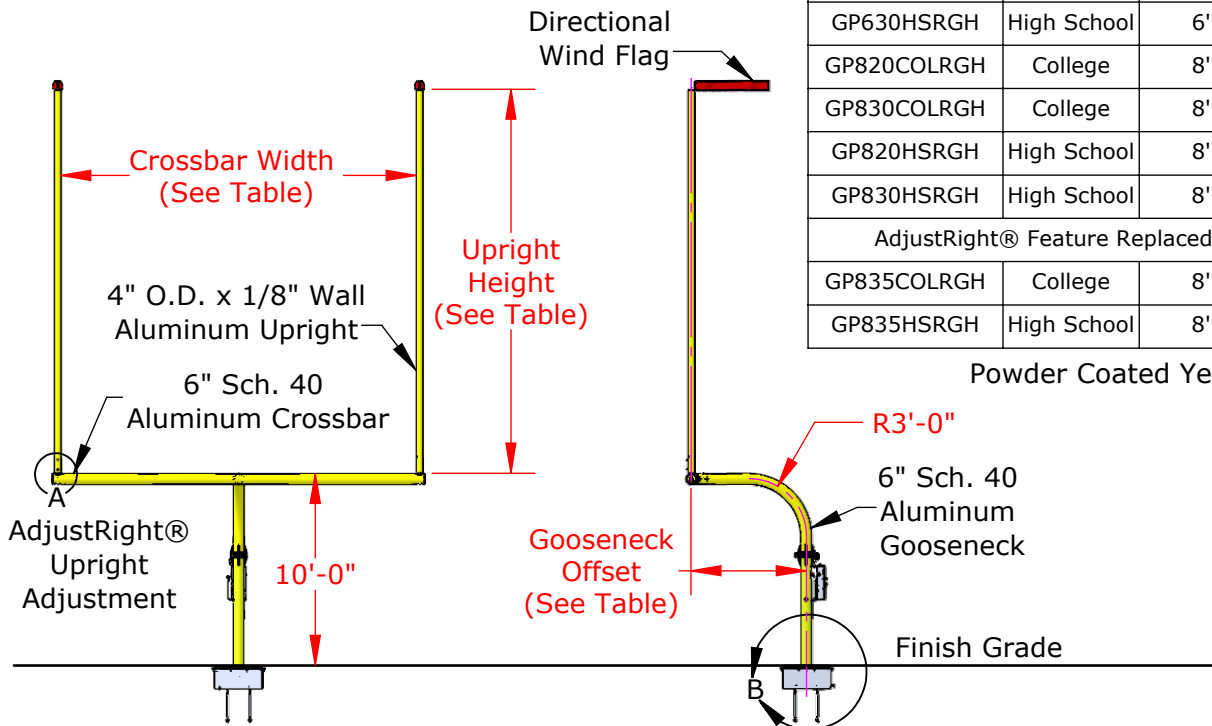
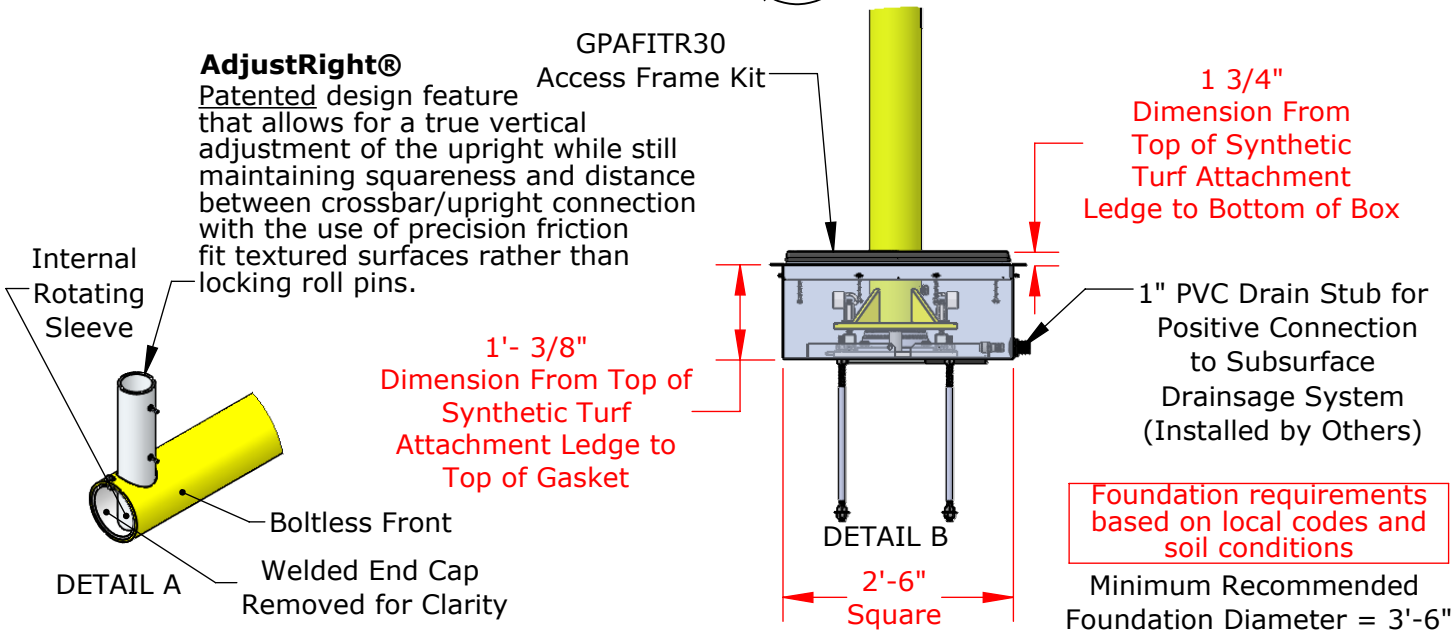


United States Patent #7,883,432, Issued February 8, 2011
 United States Patent #7,914,401, Issued March 29, 2011
 United States Patent #8,496,547, Issued July 30, 2013

Part No.	Model	Gooseneck Offset	Upright Height	Crossbar Width (I.D.)
GP620COLRGH	College	6'	20'	18'-6"
GP630COLRGH	College	6'	30'	18'-6"
GP620HSRGH	High School	6'	20'	23'-4"
GP630HSRGH	High School	6'	30'	23'-4"
GP820COLRGH	College	8'	20'	18'-6"
GP830COLRGH	College	8'	30'	18'-6"
GP820HSRGH	High School	8'	20'	23'-4"
GP830HSRGH	High School	8'	30'	23'-4"
AdjustRight® Feature Replaced with Fixed Upright				
GP835COLRGH	College	8'	35'	18'-6"
GP835HSRGH	High School	8'	35'	23'-4"



Powder Coated Yellow or White Finish



PROPRIETARY AND CONFIDENTIAL

THE INFORMATION CONTAINED IN THIS DRAWING IS THE SOLE PROPERTY OF SPORTSFIELD SPECIALTIES INC. ANY REPRODUCTION IN PART OR AS A WHOLE WITHOUT THE WRITTEN PERMISSION OF SPORTSFIELD SPECIALTIES INC. IS PROHIBITED.

Rotating Gooseneck Hinged Football Goal Post

Not To Scale

Sportsfield Specialties Inc 04012025