



*Excellence from Design to Installation*

**1-888-975-3343**

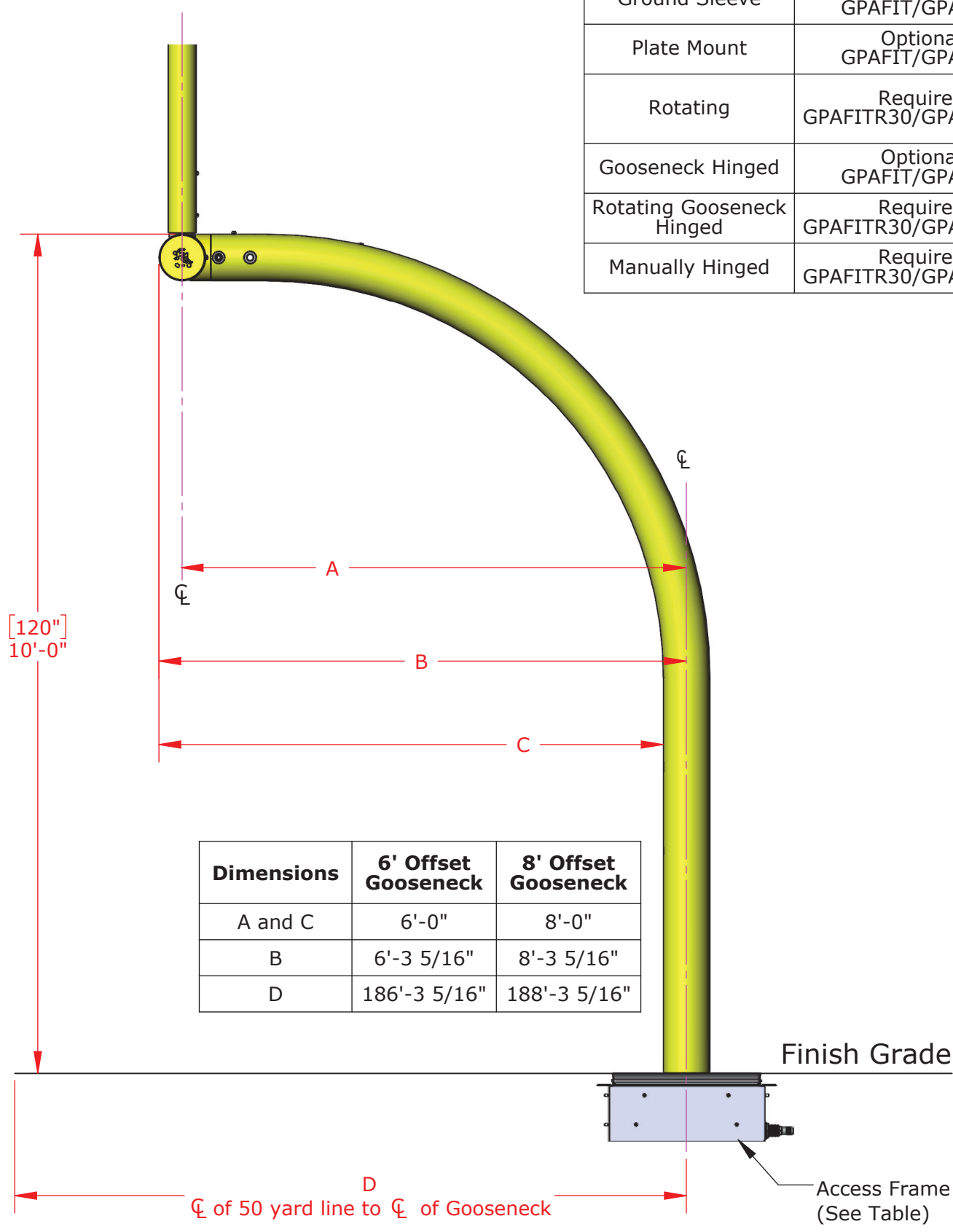
## Install Instructions

### Gooseneck Hinged Plate Mount Football Goal Posts

<b>Product No.</b>	<b>Product Description</b>
GP620COLGHPL	College Football Goal Post, 6' Offset, 20' Uprights
GP630COLGHPL	College Football Goal Post, 6' Offset, 30' Uprights
GP620HSGHPL	High School Football Goal Post, 6' Offset, 20' Uprights
GP630HSGHPL	High School Football Goal Post, 6' Offset, 30' Uprights
GP635COLGHPL	College Football Goal Post, 6' Offset, 35' Uprights
GP635HSGHPL	High School Football Goal Post, 6' Offset, 35' Uprights
GP635PROGHPL	Professional Football Goal Post, 6' Offset, 35' Uprights
GP620ADJGHPL	Adjustable HS/College Football Goal Post, 6' Offset, 20' Uprights
GP630ADJGHPL	Adjustable HS/College Football Goal Post, 6' Offset, 30' Uprights
GP820COLGHPL	College Football Goal Post, 8' Offset, 20' Uprights
GP830COLGHPL	College Football Goal Post, 8' Offset, 30' Uprights
GP820HSGHPL	High School Football Goal Post, 8' Offset, 20' Uprights
GP830HSGHPL	High School Football Goal Post, 8' Offset, 30' Uprights
GP835COLGHPL	College Football Goal Post, 8' Offset, 35' Uprights
GP835HSGHPL	High School Football Goal Post, 8' Offset, 35' Uprights
GP835PROGHPL	Professional Football Goal Post, 8' Offset, 35' Uprights
GP820ADJGHPL	Adjustable HS/College Football Goal Post, 8' Offset, 20' Uprights
GP830ADJGHPL	Adjustable HS/College Football Goal Post, 8' Offset, 30' Uprights

Field Placement of Goal Post.....	ID-00001
Base Plate Mounting Kit.....	ID-00020
Plate Mount Style Football Goal Post Elevation.....	ID-00003
GPAFIT/GPAFNG Access Kit Frame Installation.....	ID-00012
Gooseneck Installation.....	ID-00015
Gooseneck Hinged Crossbar Installation.....	ID-00256
Gooseneck Hinged Gooseneck Installation.....	ID-00257
Football Goal Post AdjustRight® Upright Adjustment.....	ID-00023
Football Goal Post Adjustable Crossbar Positioning.....	ID-00022
Gooseneck Hinged Hydraulic Pack Installation.....	ID-00259
Gooseneck Hinged Hydraulic Fluid Installation.....	ID-00341
Gooseneck Hinged Operation Instructions.....	ID-00167

Goal Post Version	Access Frames
Ground Sleeve	Optional GPAFIT/GPAFNG
Plate Mount	Optional GPAFIT/GPAFNG
Rotating	Required GPAFITR30/GPAFN30
Gooseneck Hinged	Optional GPAFIT/GPAFNG
Rotating Gooseneck Hinged	Required GPAFITR30/GPAFN30
Manually Hinged	Required GPAFITR30/GPAFN30



Dimensions	6' Offset Gooseneck	8' Offset Gooseneck
A and C	6'-0"	8'-0"
B	6'-3 5/16"	8'-3 5/16"
D	186'-3 5/16"	188'-3 5/16"

TITLE: **Football Goal Post Field Placement**

DWG NO: **ID-00001**

SHEET 1 OF 1

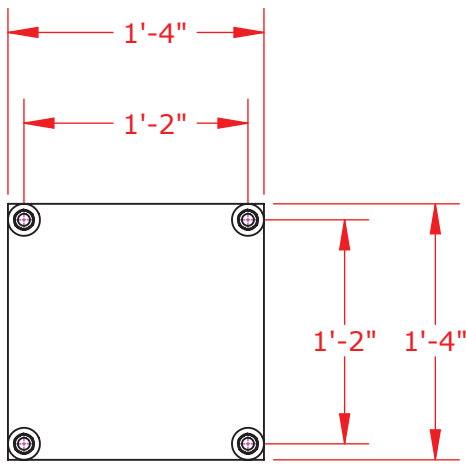
**Goal Post Version**

Plate Mount

Rotating

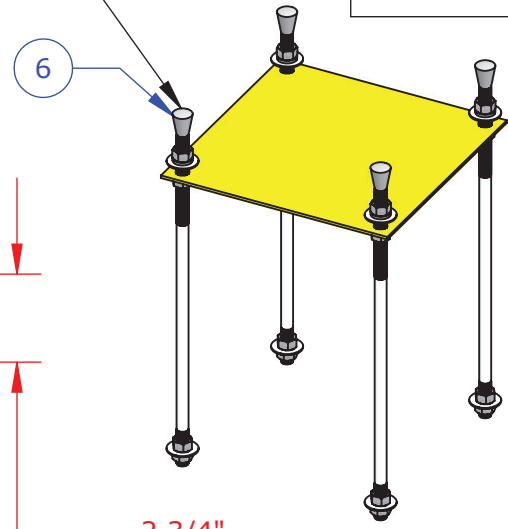
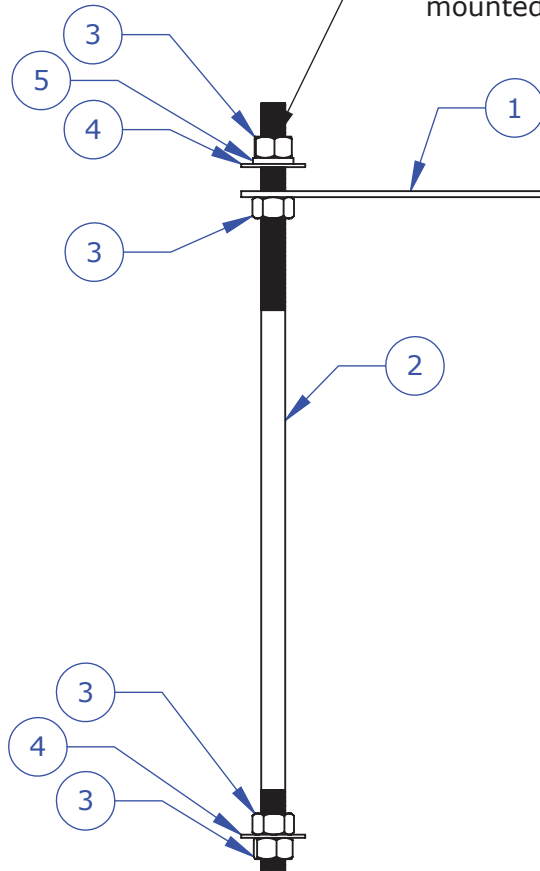
Rotating and Hinged

Gooseneck Hinged



Plastic Caps  
Provided to Protect  
Anchors during  
Concrete Pour

Remove as  
Needed to install plate  
mounted gooseneck



3/8" Min.

ITEM NO.	QTY.	SAP Part Number	DESCRIPTION
1	1	E-1000-0079	Mounting Plate, Steel, 7 Gauge, 16" x 16", Four 0.875" Holes
2	4	PURCHP-0680	3/4-10X24" ANCHOR BOLT, Galvanized
3	16	108-HXN-0003	3/4-10 Galvanized Hex Nut
4	8	111-FLW-0003	3/4 Galv. FLAT WASHER
5	4	111-SLW-0003	3/4-10 Galvanized Lock Washer
6	4	PURCHP-0282	CAP, THREAD PLASTIC

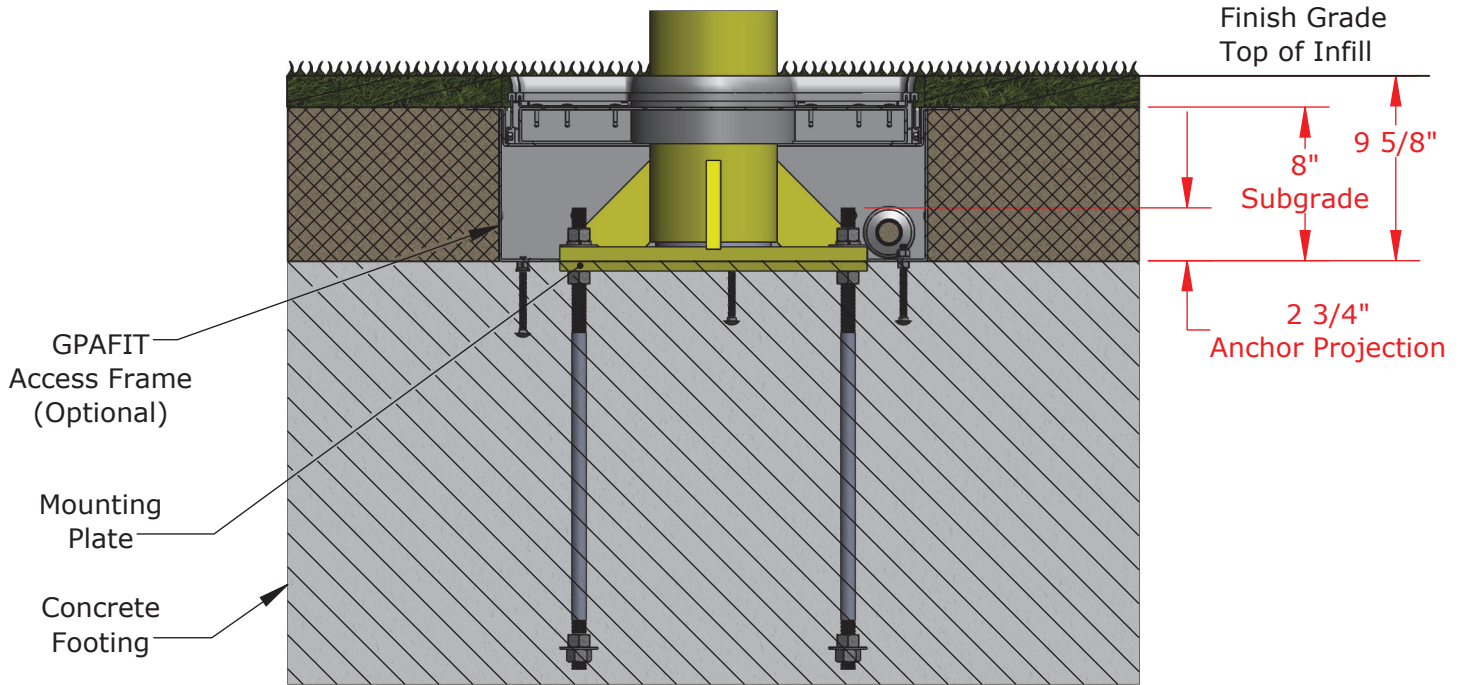
TITLE:

**Base Plate Mounting Kit**

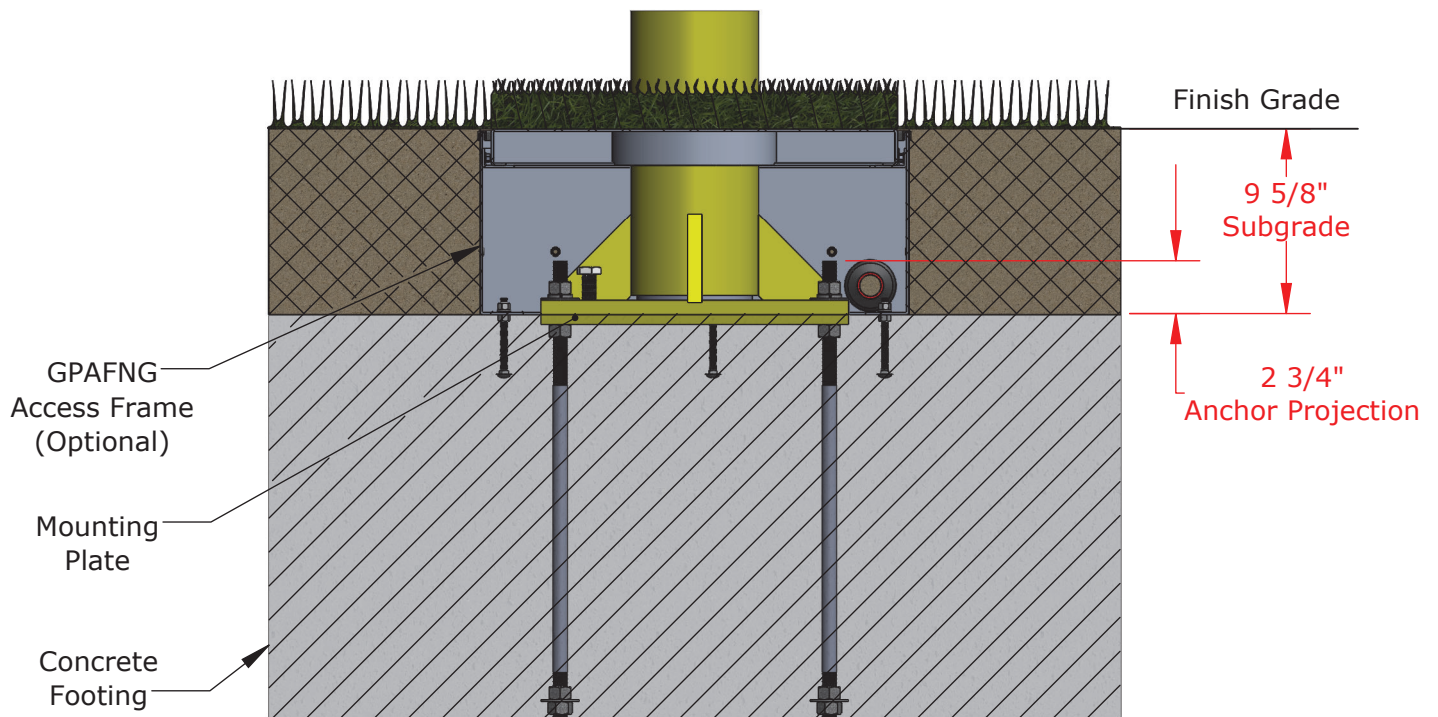
DWG NO:

**ID-00020**

SHEET 1 OF 1



Synthetic Infill Turf Application



Natural Grass Application

TITLE: **Football Goal Post Elevation Plate Mount**

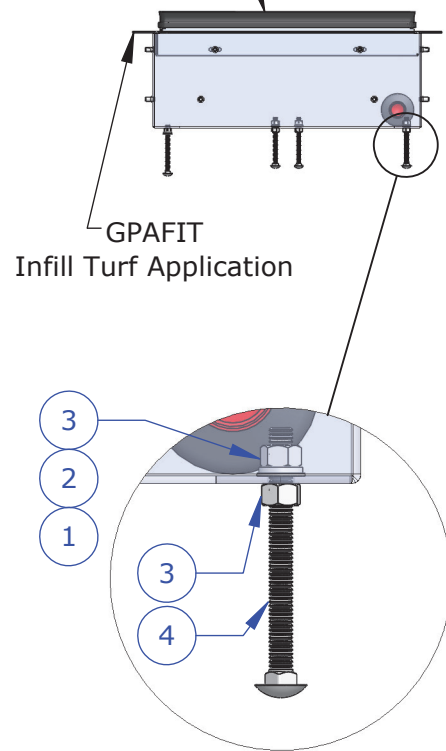
DWG NO:

**ID-00003**

SHEET 1 OF 1

## Access Frame Installation

Patented Infill Retainer System



### Step 1

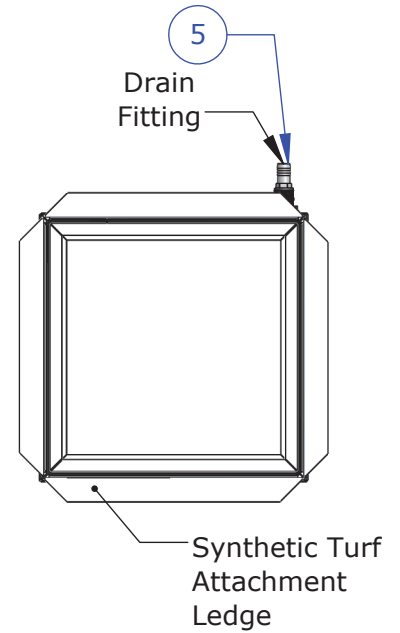
Pre-install the four (4) carriage bolts (Item #4) into the bottom flange of the access frame box with the heads down for anchoring into concrete.

### Step 2

The box should be installed parallel to the end line. the drain fitting (Item #5) should face toward the nearest drainage system. If applicable, attach a 1" drain line to the end and connect it to the subsurface drainage system (designed and installed by others).

### Step 3

Center the access frame around the ground sleeve or base plate and install by pushing the anchor bolts down into the wet concrete. The bottom face of the flange should be flush with the concrete surface. (See associated football elevation detail drawing.)



### Step 4

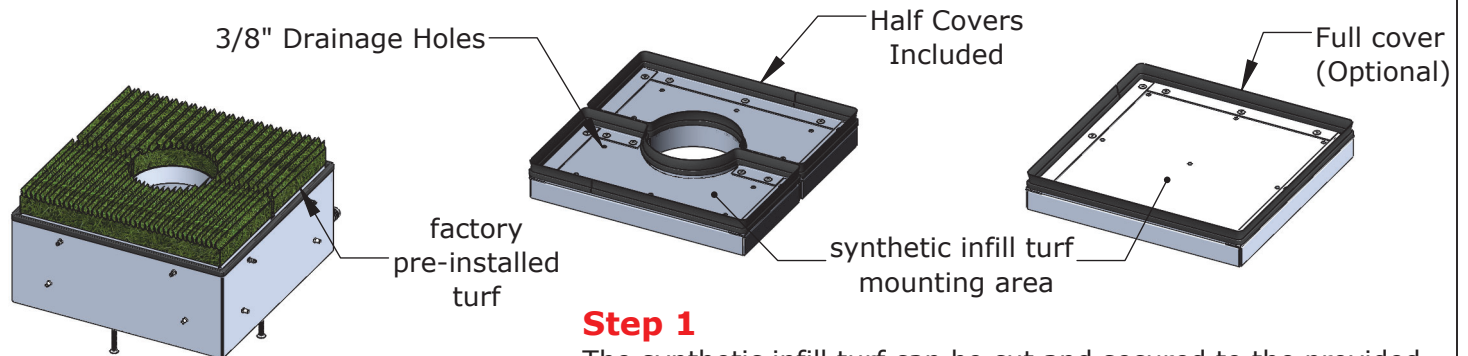
The synthetic infill turf can be cut and secured to the provided infill turf attachment ledge. Synthetic turf and attachment method provided by others.

### Step 5

Allow concrete to cure before installing football goal post.

ITEM NO.	QTY.	SAP Part Number	DESCRIPTION
1	4	110-FLW-0005	3/8 S.S. FLAT WASHER
2	4	110-SLW-0006	3/8-16 S. S. Lock Washer
3	8	107-HXN-0020	3/8-16 STAINLESS STEEL HEX NUT
4	4	101-CAB-0004	3/8-16 x 4.00" L, Carriage Bolt, SS
5	1	PURCHP-0158	Adapter, Male

## Preparing the Covers



### Step 1

The synthetic infill turf can be cut and secured to the provided covers. Synthetic turf and attachment method provided by others.

TITLE: **Football Goal Post  
GPAFIT/GPAFNG Access Frame**

DWG NO:

**ID-00012**

SHEET 1 OF 1

**Step 1**

Remove base plate mounting kit hardware (reference ID-00020).

**Step 2**

Install gooseneck onto the base plate mounting kit.

**Step 3**

Re-install base plate mounting kit hardware and tighten.

**Step 4**

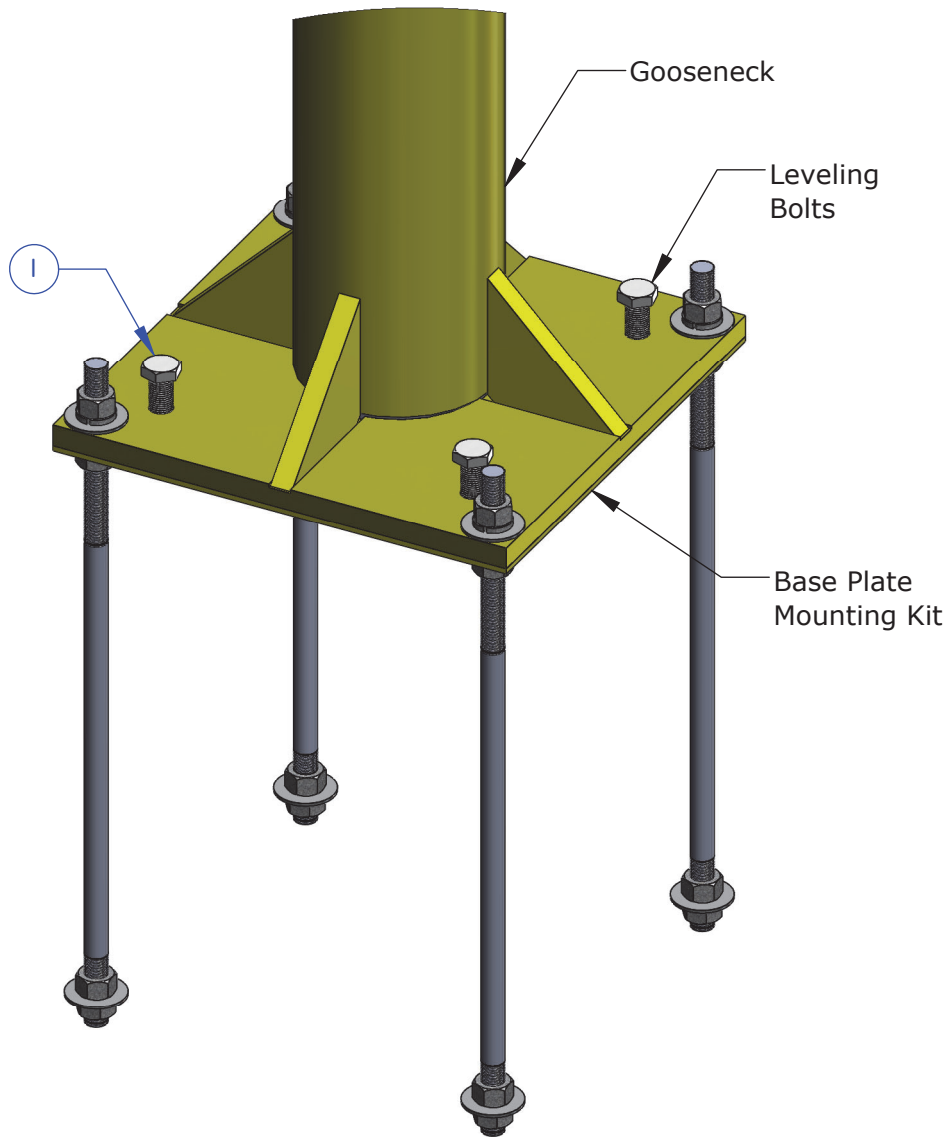
Thread the (4) leveling bolts (Item #1) into the pre-threaded holes until the bottom side of the bolt comes into contact with the steel plate below.

**Step 5**

Verify the gooseneck is plumb. Adjust the leveling bolts and anchor hardware as needed.

**Step 6**

Tighten all hardware when plumb.



ITEM NO.	QTY.	SAP Part Number	DESCRIPTION
1	4	100-HHC-0043	3/4-10 x 2" A307 Steel Hex Head Bolt w/Magni 560 Coating

TITLE:  
**Plate Mount Gooseneck Installation**

DWG NO:  
**ID-00015**

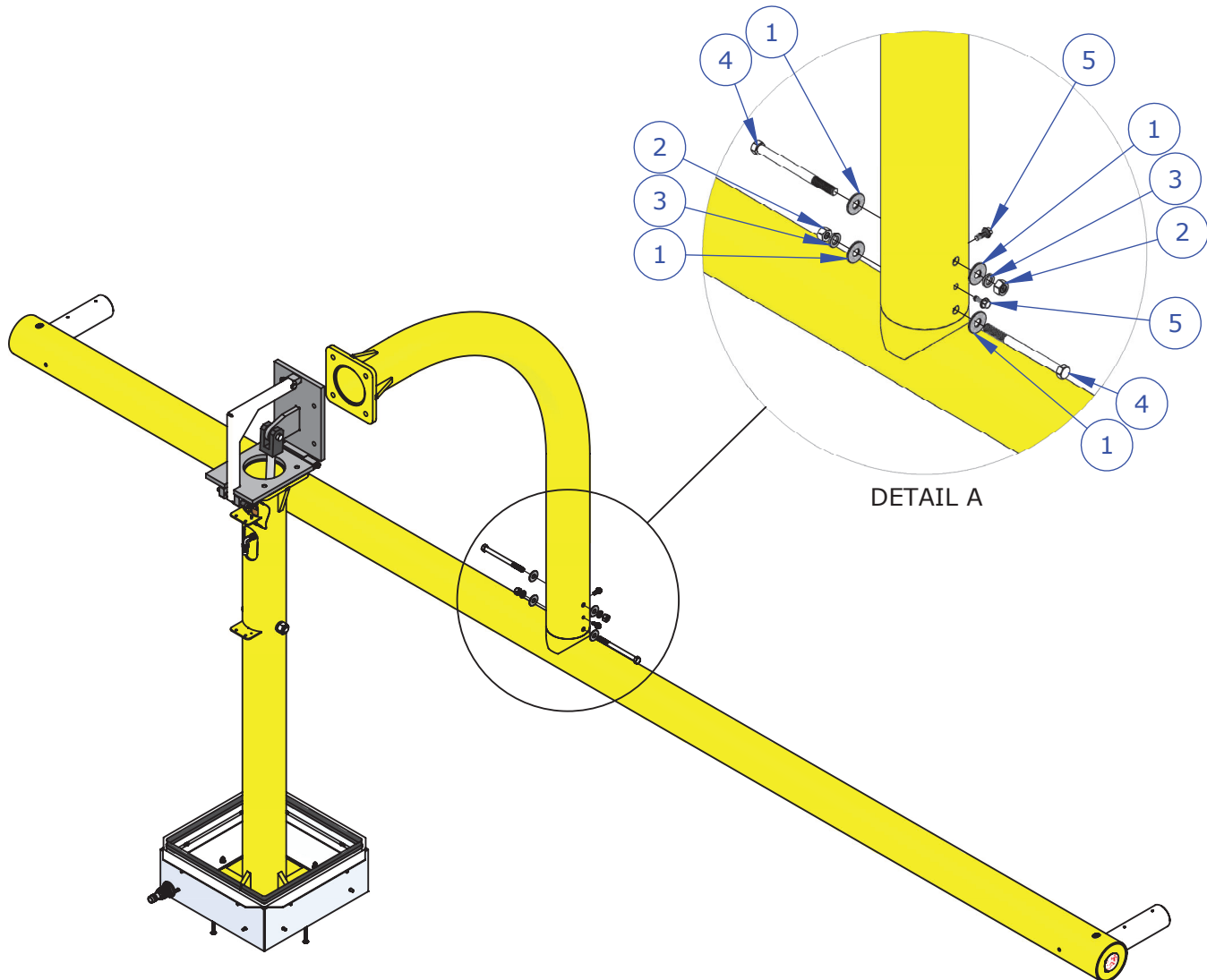
SHEET 1 OF 1

### Step 1

Lay crossbar in front of lower gooseneck section so that curved gooseneck can be installed without interference.

### Step 2

Slide curved gooseneck over crossbar stub and install hardware as shown in Detail A. Do not fully tighten at this time; final tightening will occur once assembly is completed, raised, and leveled.



ITEM NO.	QTY.	SAP Part Number	DESCRIPTION
1	4	111-FLW-0005	5/8" Galvanized Steel Flat Washer
2	2	108-HXN-0005	5/8-11 Hex Nut, Galv.
3	2	111-SLW-0005	5/8 Galvanized Lock Washer
4	2	102-HHC-0014	5/8-11 GALV. Hex Head Bolt X 8.000" Long
5	2	100-HWH-0002	3/8-16 x 1" Hex Washer Head with Serrated Flange

TITLE:

Gooseneck Hinged  
Crossbar Installation

DWG NO:

ID-00256

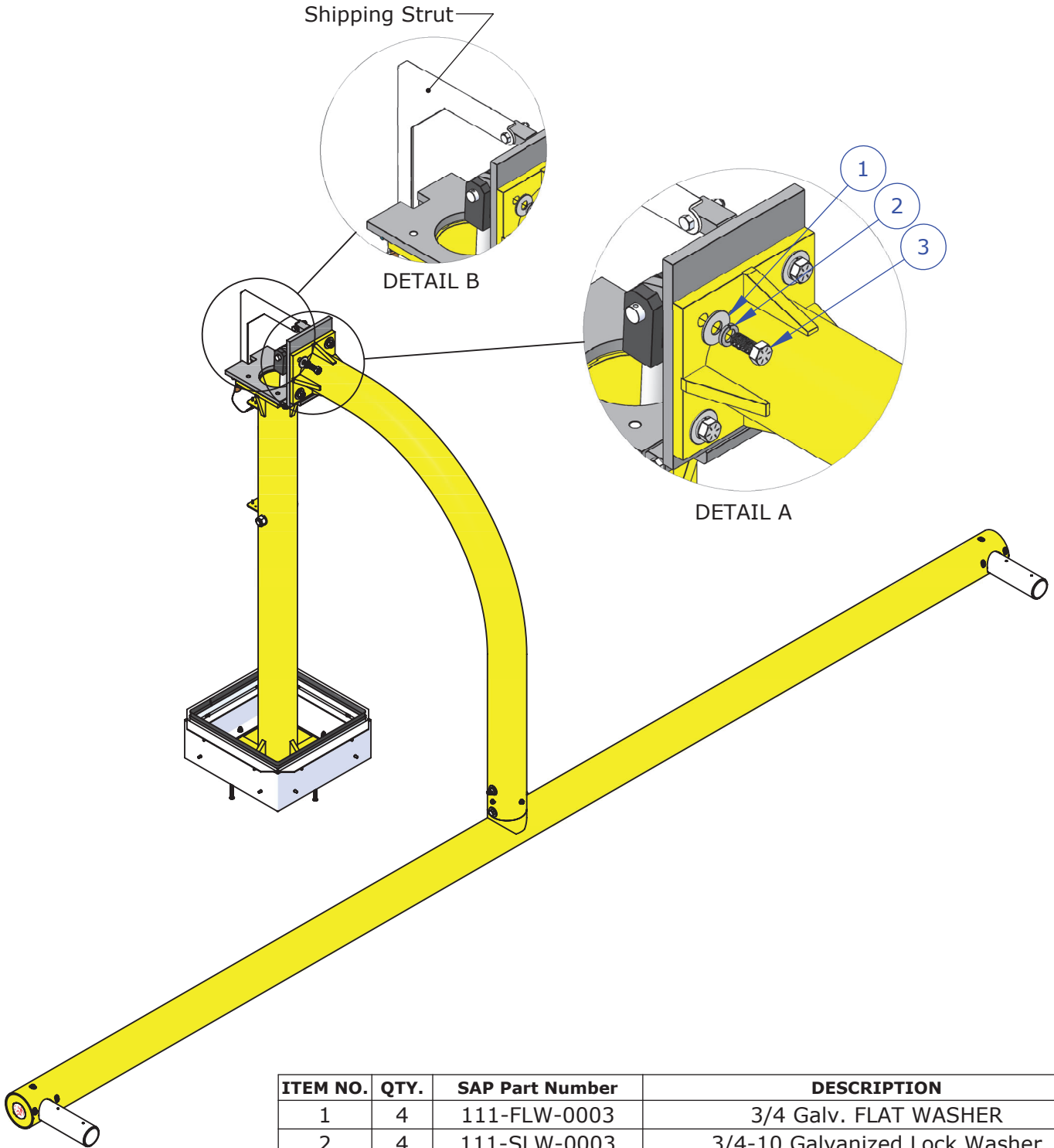
SHEET 1 OF 1

**Step 1**

Slide gooseneck/crossbar assembly to hinge plate, and bolt together using hardware as shown in Detail A. Install all (4) bolts prior to final tightening.

**Step 2**

Remove shipping strut and associated hardware as shown in Detail B, and discard.



ITEM NO.	QTY.	SAP Part Number	DESCRIPTION
1	4	111-FLW-0003	3/4 Galv. FLAT WASHER
2	4	111-SLW-0003	3/4-10 Galvanized Lock Washer
3	4	100-HHC-0045	3/4-10 x 1.75" Fully Threaded Bolt, Grade 8

TITLE:

**Gooseneck Hinged  
Gooseneck Installation**

DWG NO:

**ID-00257**

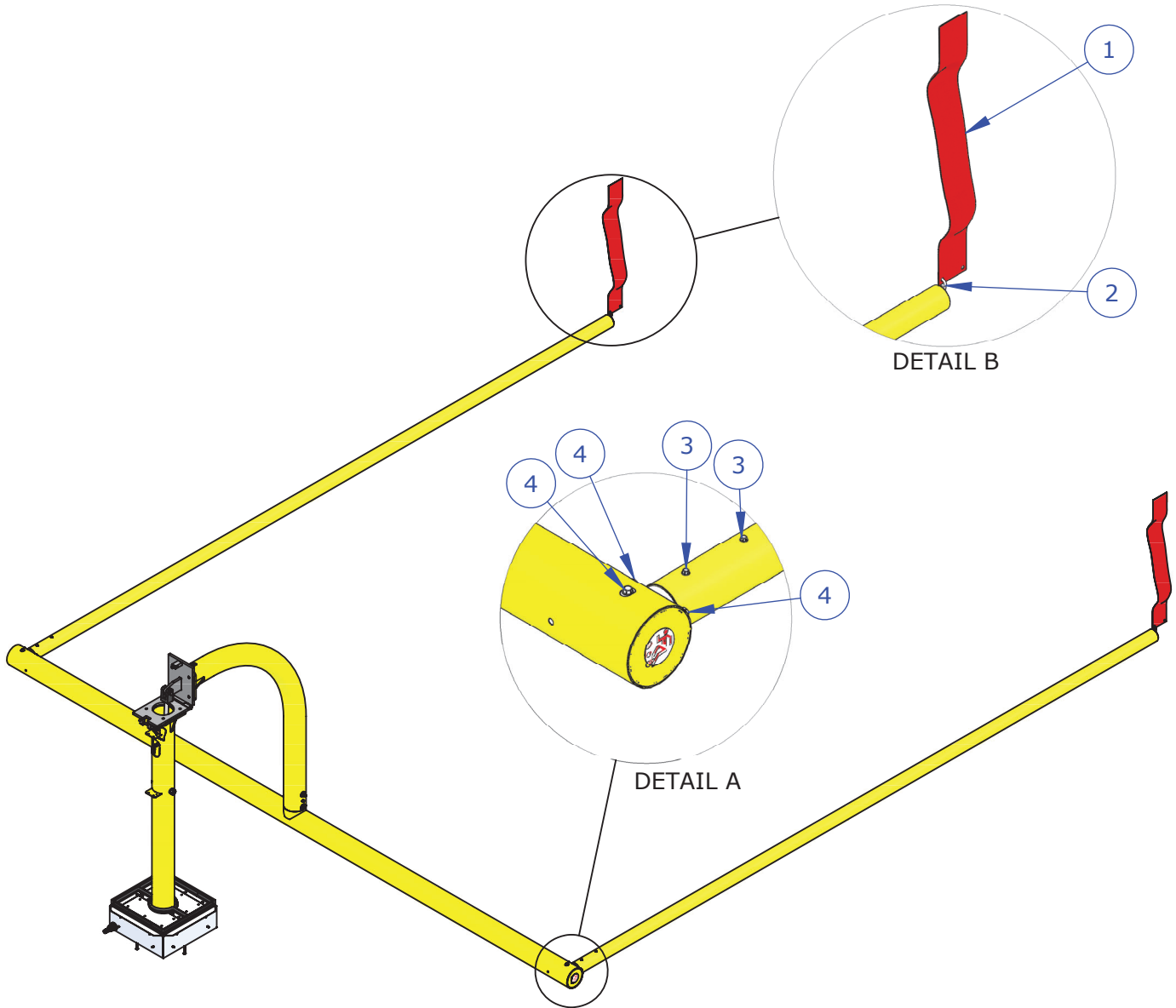
SHEET 1 OF 1

### Step 1

Install the directional flags on the top of the uprights using supplied spring hooks as shown in Detail B.

### Step 2

Slide uprights over crossbar stubs and bolt with **Item #3** as shown in Detail A. If present, install AdjustRight® hardware (**Item #4**), and hand tighten.



ITEM NO.	QTY.	SAP Part Number	DESCRIPTION
1	2	GPDSTRGPT	Directional Flag
2	2	PURCHP-0097	3/16" Spring Hook-No Eye 304 SS
3	4	100-HWH-0001	1/4-20 x 1" Hex Washer Head with Serrated Flange
4	6	100-HWH-0002	3/8-16 x 1" Hex Washer Head with Serrated Flange

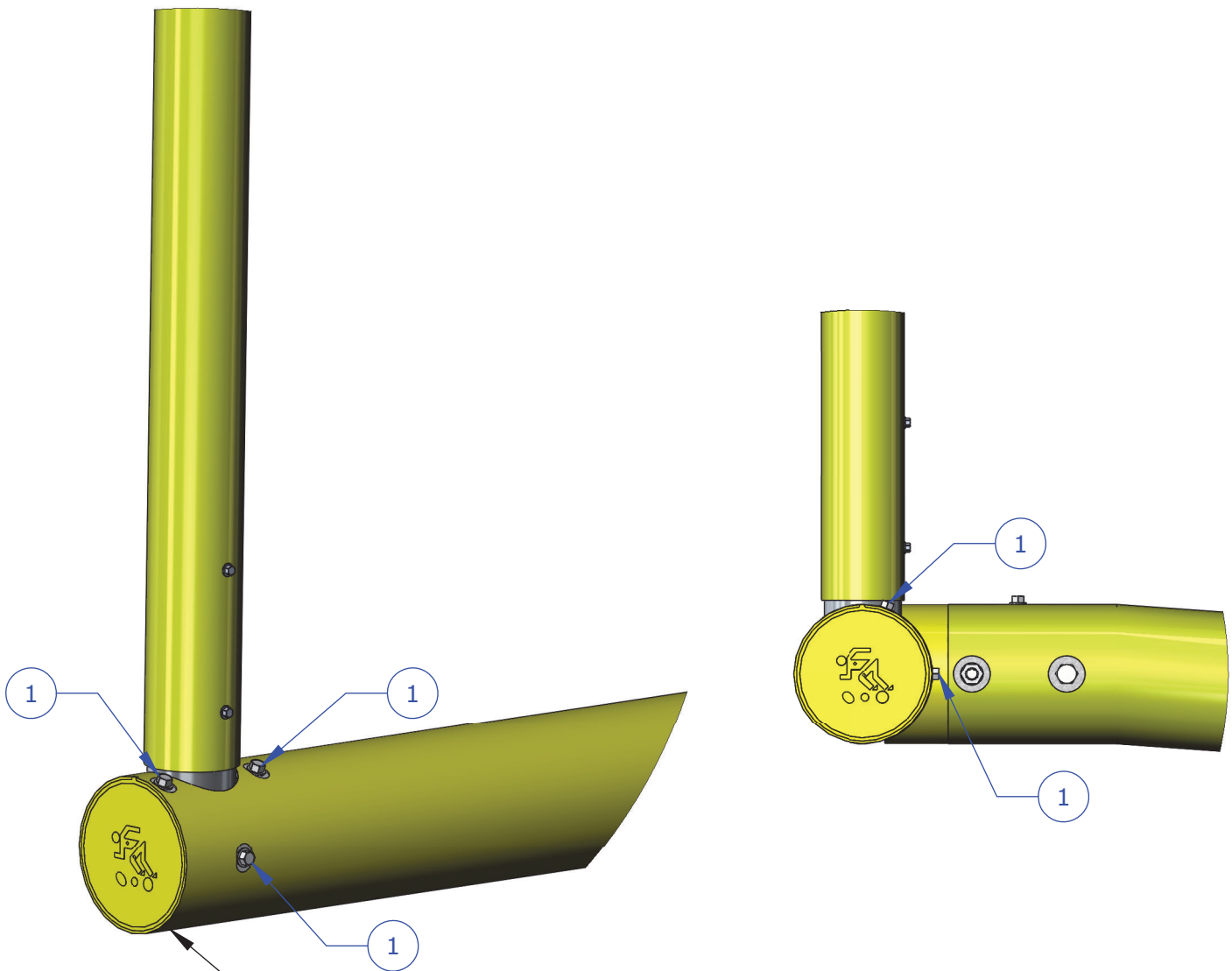
TITLE:

Gooseneck Hinged  
Upright Installation

DWG NO:

ID-00258

SHEET 1 OF 1



All Adjustright®  
football Goals with  
20' and 30' Uprights

**Step 1**

Position the level vertically on the upright. Move the upright back and forth utilizing the AdjustRight® stub adjustment feature until upright is plumb and tighten the 3/8" serrated flange bolts (Item # 1) by hand, making sure to maintain upright position.

**Step 2**

Double check the upright for plumb and tighten the 3/8" serrated flange hex bolts (Item # 1) with a hand torque wrench set to 55 ft-lbs.

**Important Note:**

Do not exceed 55 ft-lbs, Failure to complete this step will allow uprights to fall out of alignment.

ITEM NO.	QTY.	SAP Part Number	DESCRIPTION
1	6	100-HWH-0002	3/8-16 x 1" Hex Washer Head with serrated flange, Grade 5, Fully Threaded

TITLE: **Football Goal Post  
AdjustRight® Upright Adjustment**

DWG NO: **ID-00023**

SHEET 1 OF 1



### Step 1

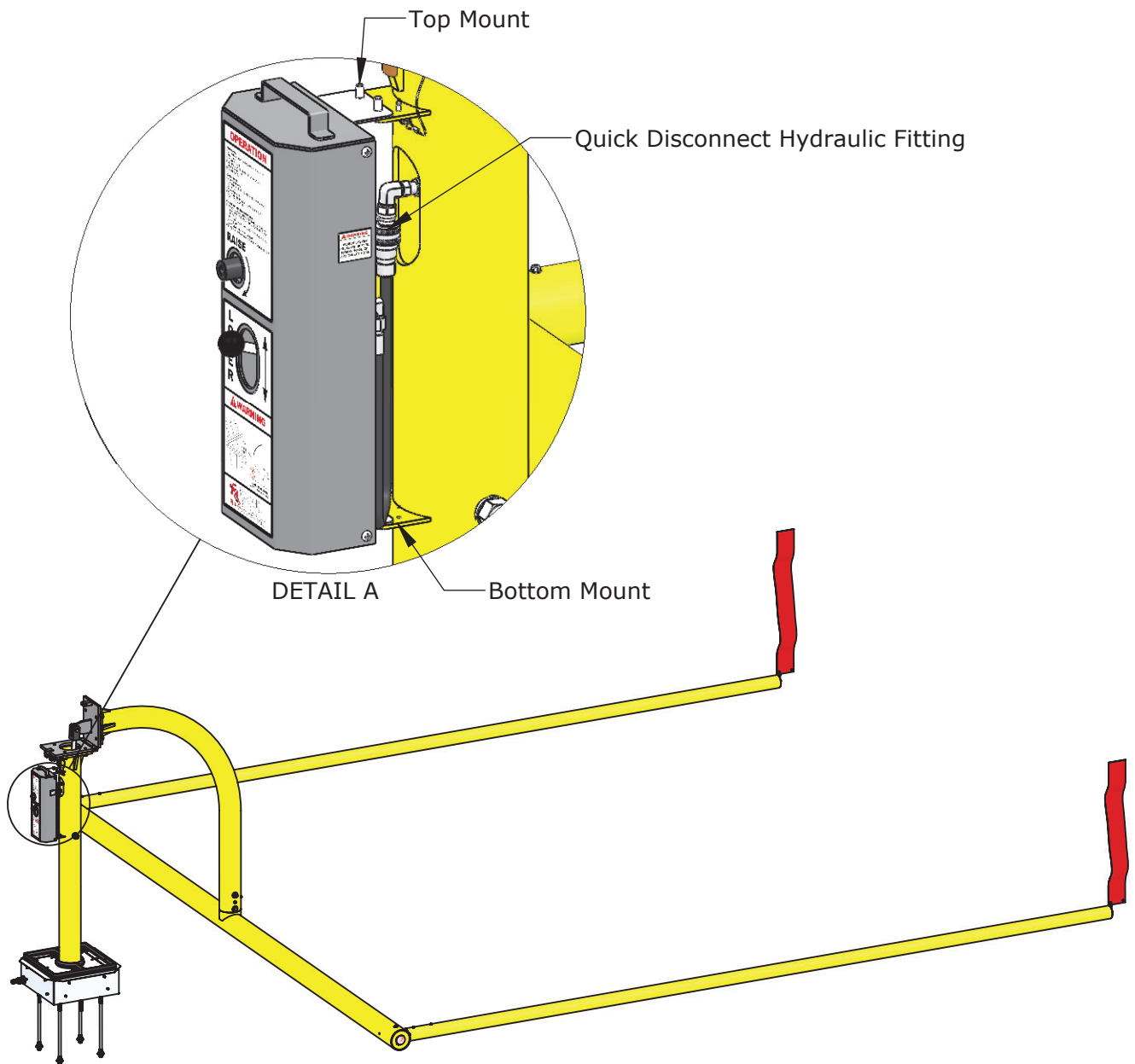
Place the hydraulic compartment over top and bottom mounts. Connect the quick disconnect hydraulic fitting from the compartment to the cylinder (Detail A).

### Step 2

Using a drill with a 3/8" square drive, raise the goal to the upright position and pin in place. Do not use an impact drill. Refer to ID-00167 (Operation Instructions) prior to operating hydraulics.

### Step 3

Once raised, level the crossbar and tighten down all crossbar hardware. Verify that the crossbar is parallel to the end line, and if necessary, make adjustments at the base plate.



TITLE:

Gooseneck Hinged Hydraulic  
Pack Installation

DWG NO:

ID-00259

SHEET 1 OF 1

\*The Gooseneck Hinged Goal Post has been tested for functionality and residual fluid may seep.

### Step 1

Be sure the goal is in Lowered Position. Use a 7/16" wrench to remove the Hydraulic Unit Cover.

### Step 2

Remove the plastic Hydraulic Reservoir Vented Cap. Add (4) cups of AW-46 hydraulic fluid to reservoir.

### Step 3

Replace vented cap

### Step 4

Raise the goal using provided 2000 rpm drill or (DeWalt, Milwaukee, Bosch or approved equal) with a 3/8" square drive. After pressure is relieved from the system, turn Flow Control Valve clockwise until closed.

**DO NOT USE an Impact Drill, it will immediately destroy the gears.**  
**IMPORTANT: Raise goal completely until locking pin can be installed.**

Note: When in the raised position, all of the hydraulic fluid will be in the cylinder. Do not check fluid levels at this time, nor add fluid when in the raised position. Doing so will lead to extensive spill and possible component failure when attempting to lower the goal thereafter. Always check fluid level when the goal is in the lowered orientation.

### Step 5

Remove the pin, and crack open the Flow Control Valve slightly to begin lowering the goal at a safe desired speed. Close the valve before the hydraulic unit is removed.

**WARNING: A wide open valve will cause the Goal Post to lower at an unsafe speed.**

### Step 6

Remove the pin, and crack open the Flow Control Valve slightly to begin lowering the goal at a safe desired speed. Close the valve before the hydraulic unit is removed.

**WARNING: A wide open valve will cause the Goal Post to lower at an unsafe speed.**

### Step 7

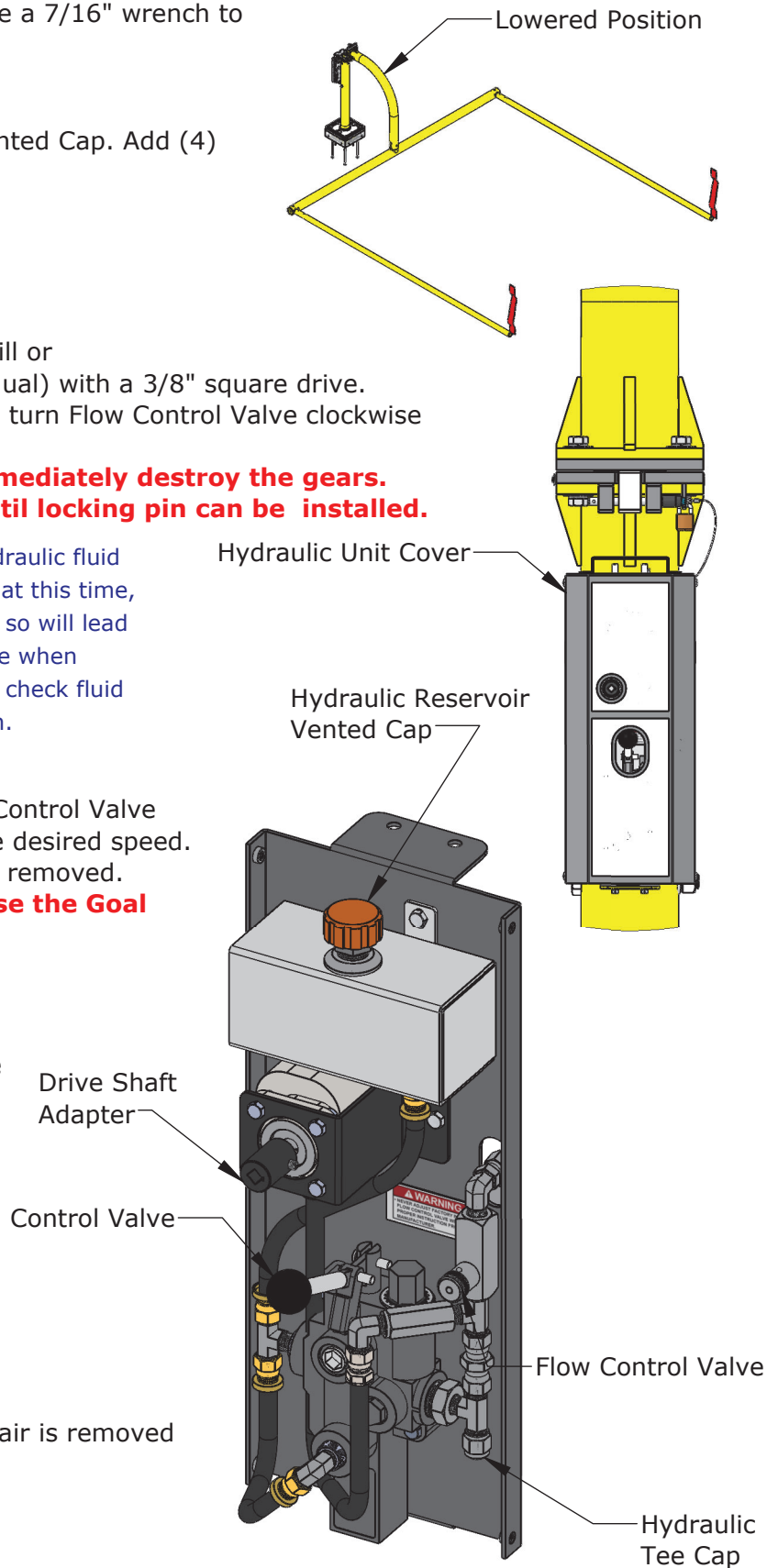
Check fluid level when goalpost is back in Lowered Position. Top off if necessary.

### Step 8

Raise and lower goal once more to ensure air is removed from the system.

### Step 9

Replace the Hydraulic unit cover.



TITLE:

Gooseneck Hinged  
Hydraulic Fluid Installation

DWG NO:

ID-00341

SHEET 1 OF 1

## Lowering Goal from Raised Position

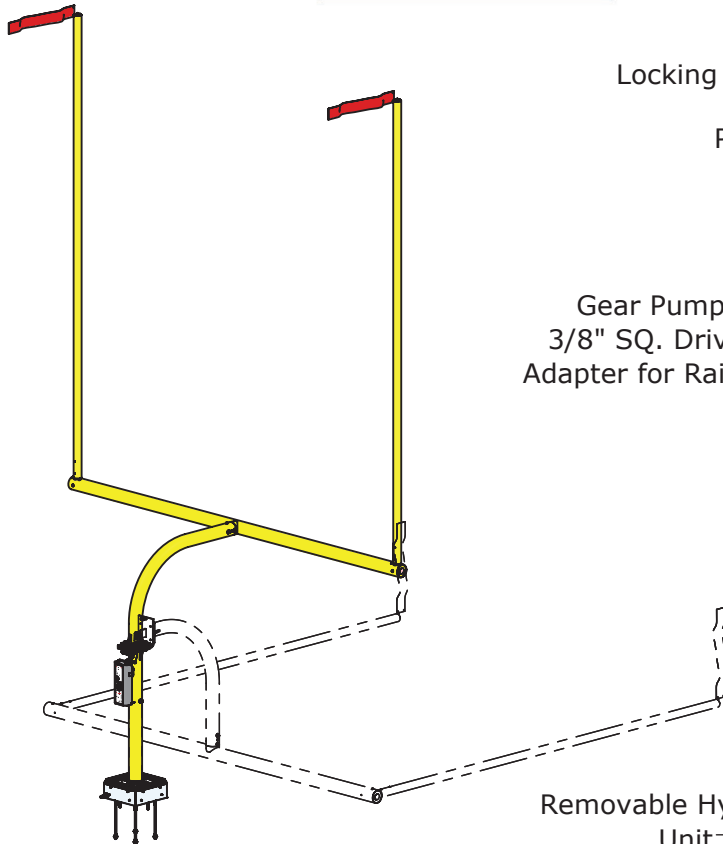
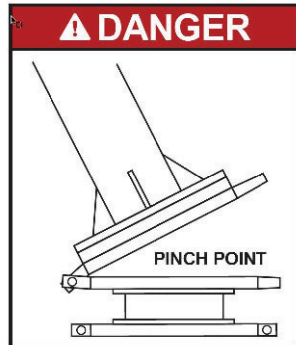
### Step 1

Remove padlock, then using provided drill with a 3/8" square drive, raise goal off of locking pull pin and remove pin. Do not use an impact drill.

**CAUTION:** Heed all warning labels during operation

### Step 2

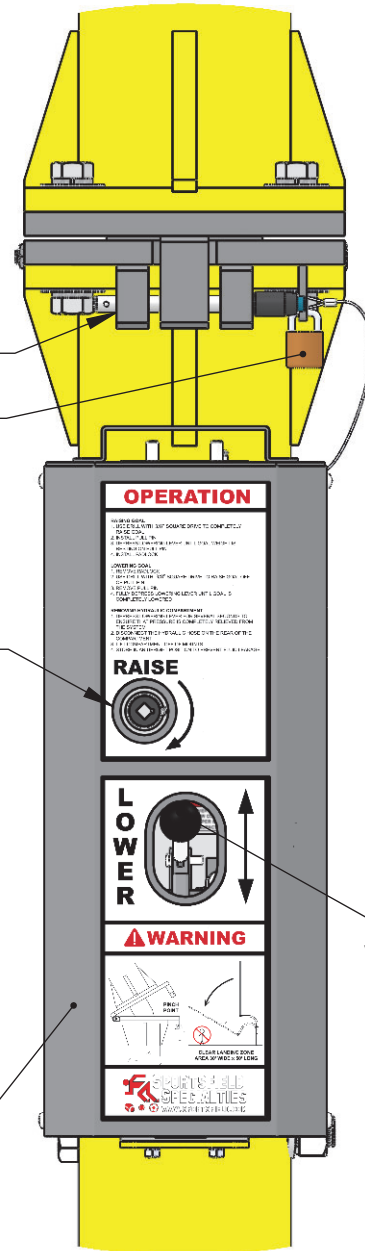
Depress control valve lever until goal rests on the ground.



Locking Pull Pin

Padlock

Gear Pump With  
3/8" SQ. Drive Shaft  
Adapter for Raising Goal



## Raising Goal From Lowered Position

### Step 1

Using provided drill with a 3/8" square drive, raise goal completely until locking pull pin can be installed. Do not use an impact drill.

### Step 2

Install pin, making sure that it is completely engaged.

### Step 3

Depress control valve lever until goal rests on the pull pin and the pressure is relieved from the system. Replace padlock.

TITLE:

Gooseneck Hinged  
Operation Instructions

DWG NO:

ID-00167

SHEET 1 OF 2

## Removing Hydraulic Compartment From Goal

### Step 1

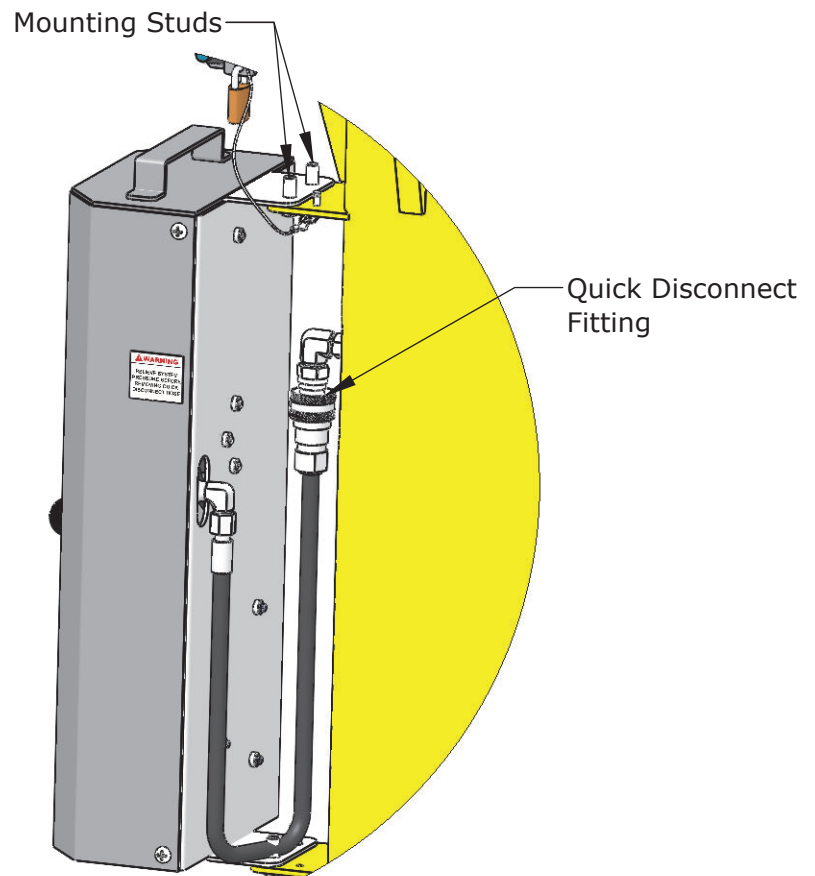
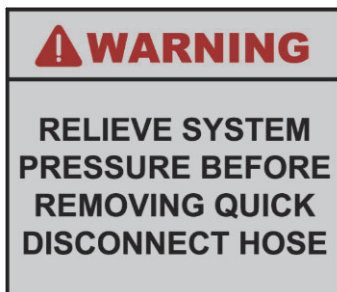
Whether in the lowered or raised position, ensure that all pressure is completely relieved from the system before disconnecting the hydraulics. Failure to do will make re-installation very difficult. Regardless of orientation, depress the control valve lever for several seconds to ensure that pressure is relieved, so that goal is fully resting on either the ground or the pull pin.

### Step 2

Disengage the quick disconnect hydraulic fitting on the rear of the compartment. Lift compartment off of mounting studs, and store in an upright position.

Note: When in the raised position, all of the hydraulic fluid will be in the cylinder, with very little present in the tank. Do not check fluid levels at this time, and do not add fluid when in the raised position. Doing so will lead to extensive spill and possible component failure when attempting to lower the goal thereafter. Always check fluid level when the goal is in the lowered orientation.

Goal uses AW-46 hydraulic fluid. Tank should be filled to full when adding hydraulic fluid.



TITLE:

Gooseneck Hinged  
Operation Instructions

DWG NO:

ID-00167

SHEET 2 OF 2