

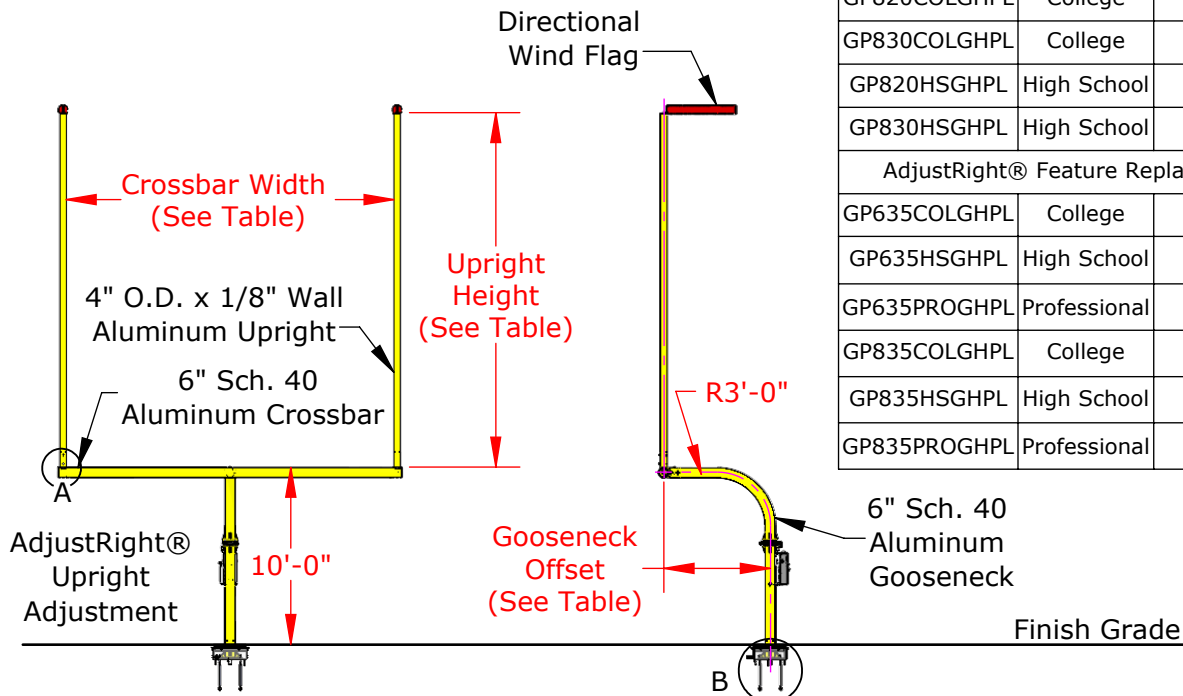
United States Patent #7,883,432, Issued February 8, 2011
 United States Patent #7,914,401, Issued March 29, 2011
 United States Patent #8,496,547, Issued July 30, 2013

Powder Coated Yellow or White Finish

Part No.	Model	Gooseneck Offset	Upright Height	Crossbar Width (I.D.)
GP620COLGHPL	College	6'	20'	18'-6"
GP630COLGHPL	College	6'	30'	18'-6"
GP620HSGHPL	High School	6'	20'	23'-4"
GP630HSGHPL	High School	6'	30'	23'-4"
GP820COLGHPL	College	8'	20'	18'-6"
GP830COLGHPL	College	8'	30'	18'-6"
GP820HSGHPL	High School	8'	20'	23'-4"
GP830HSGHPL	High School	8'	30'	23'-4"

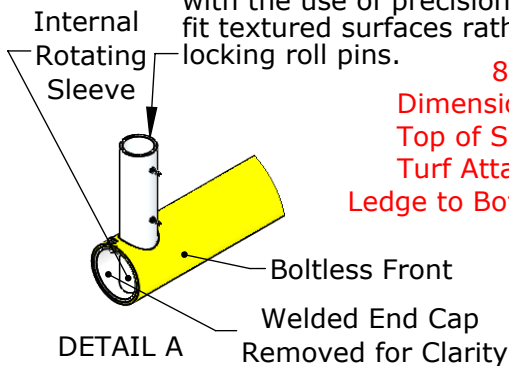
AdjustRight® Feature Replaced with Fixed Upright

GP635COLGHPL	College	6'	35'	18'-6"
GP635HSGHPL	High School	6'	35'	23'-4"
GP635PROGHPL	Professional	6'	35'	18'-6"
GP835COLGHPL	College	8'	35'	18'-6"
GP835HSGHPL	High School	8'	35'	23'-4"
GP835PROGHPL	Professional	8'	35'	18'-6"

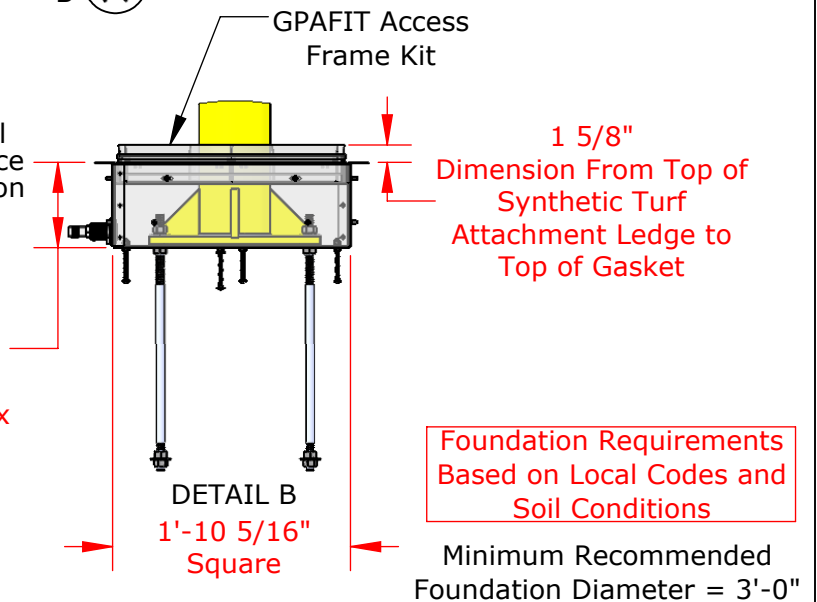


AdjustRight®

Patented design feature that allows for a true vertical adjustment of the upright while still maintaining squareness and distance between crossbar/upright connection with the use of precision friction fit textured surfaces rather than locking roll pins.



8" Dimension From Top of Synthetic Turf Attachment Ledge to Bottom of Box



PROPRIETARY AND CONFIDENTIAL

THE INFORMATION CONTAINED IN THIS DRAWING IS THE SOLE PROPERTY OF SPORTSFIELD SPECIALTIES INC. ANY REPRODUCTION IN PART OR AS A WHOLE WITHOUT THE WRITTEN PERMISSION OF SPORTSFIELD SPECIALTIES INC. IS PROHIBITED.

Gooseneck Hinged Plate Mount Football Goal Post

Not To Scale

Sportsfield Specialties Inc 03252025