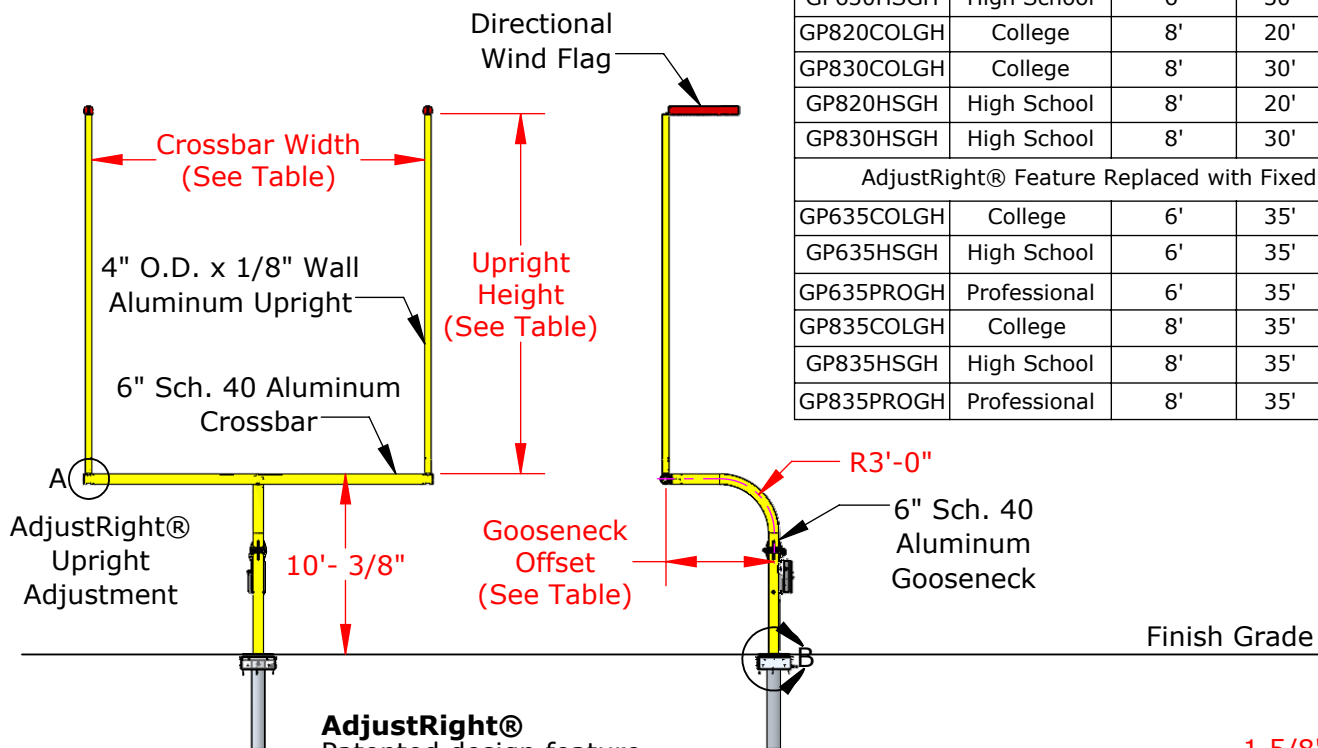


United States Patent #7,883,432, Issued February 8, 2011
 United States Patent #7,914,401, Issued March 29, 2011
 United States Patent #8,496,547, Issued July 30, 2013

Part No.	Model	Gooseneck Offset	Upright Height	Crossbar Width (I.D.)
GP620COLGH	College	6'	20'	18'-6"
GP630COLGH	College	6'	30'	18'-6"
GP620HSGH	High School	6'	20'	23'-4"
GP630HSGH	High School	6'	30'	23'-4"
GP820COLGH	College	8'	20'	18'-6"
GP830COLGH	College	8'	30'	18'-6"
GP820HSGH	High School	8'	20'	23'-4"
GP830HSGH	High School	8'	30'	23'-4"
AdjustRight® Feature Replaced with Fixed Upright				
GP635COLGH	College	6'	35'	18'-6"
GP635HSGH	High School	6'	35'	23'-4"
GP635PROGH	Professional	6'	35'	18'-6"
GP835COLGH	College	8'	35'	18'-6"
GP835HSGH	High School	8'	35'	23'-4"
GP835PROGH	Professional	8'	35'	18'-6"

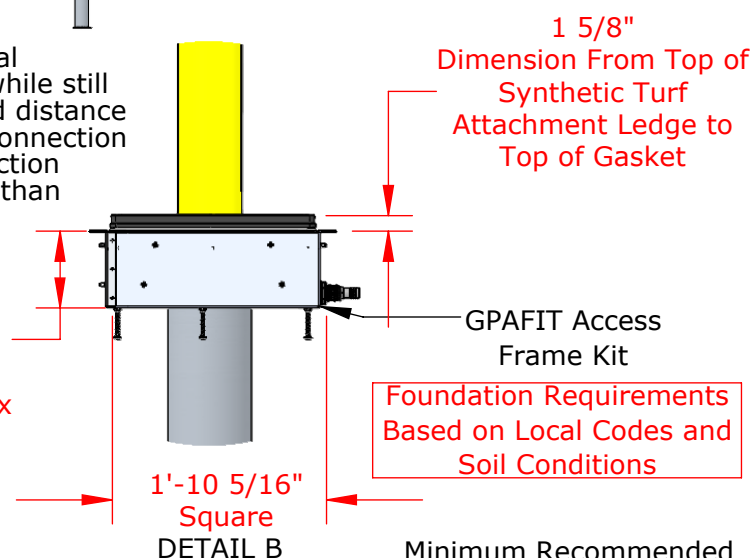


AdjustRight®
 Patented design feature that allows for a true vertical adjustment of the upright while still maintaining squareness and distance between crossbar/upright connection with the use of precision friction fit textured surfaces rather than locking roll pins.

Internal Rotating Sleeve

DETAIL A
 Boltless Front
 Welded End Cap
 Removed For Clarity

8"
 Dimension From Top of Synthetic Turf Attachment Ledge to Bottom of Box



Foundation Requirements Based on Local Codes and Soil Conditions

Minimum Recommended Foundation Diameter = 2'-6"

PROPRIETARY AND CONFIDENTIAL

THE INFORMATION CONTAINED IN THIS DRAWING IS THE SOLE PROPERTY OF SPORTSFIELD SPECIALTIES INC. ANY REPRODUCTION IN PART OR AS A WHOLE WITHOUT THE WRITTEN PERMISSION OF SPORTSFIELD SPECIALTIES INC. IS PROHIBITED.

Gooseneck Hinged Ground Sleeve Football Goal Post

Not To Scale

Sportsfield Specialties Inc 03252025