



1-888-975-3343

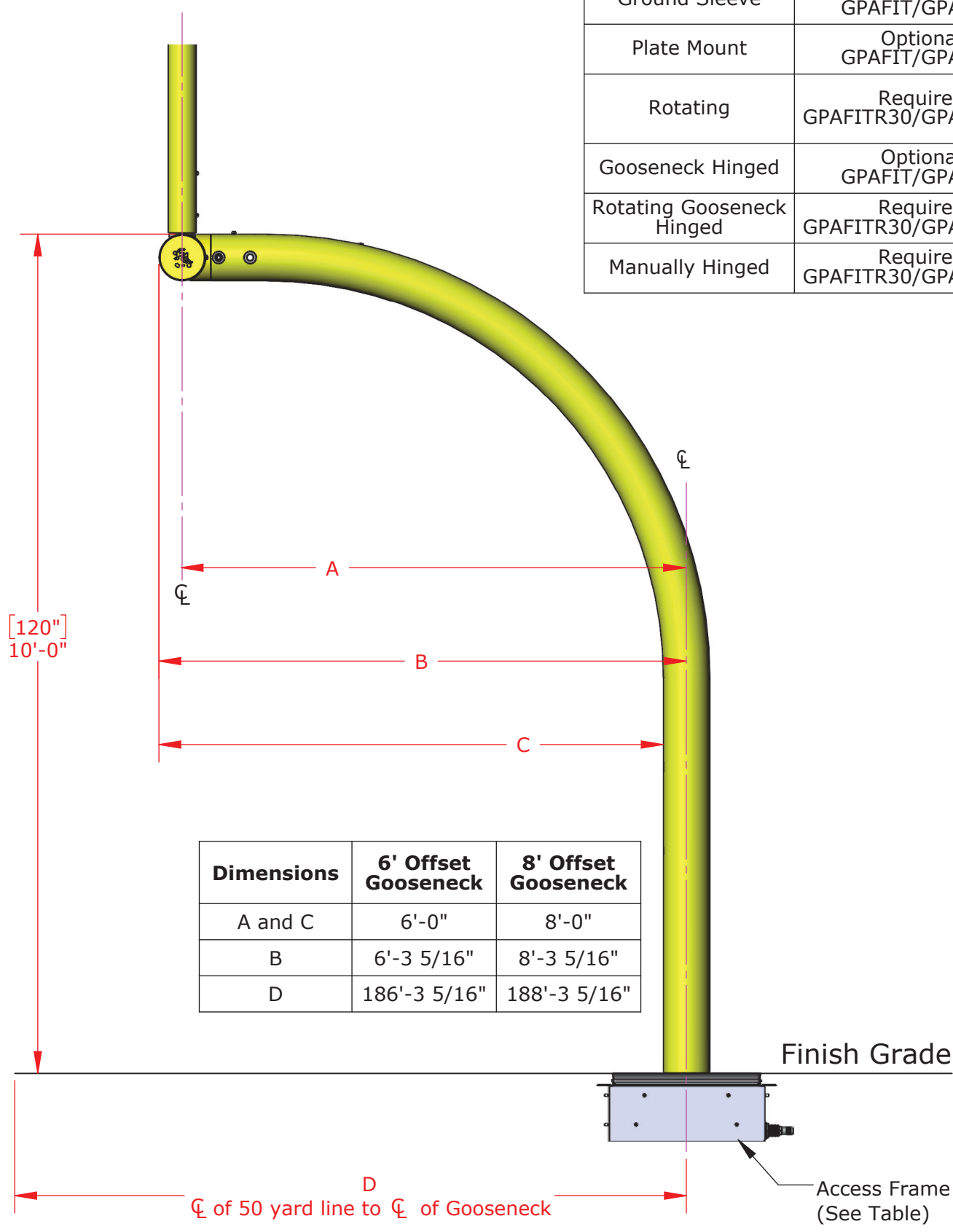
Install Instructions

Rotating Football Goal Posts

Product No.	Product Description
GP620COLR	College Football Goal Post, 6' Offset, 20' Uprights
GP630COLR	College Football Goal Post, 6' Offset, 30' Uprights
GP820COLR	College Football Goal Post, 8' Offset, 20' Uprights
GP830COLR	College Football Goal Post, 8' Offset, 30' Uprights
GP620HSR	High School Football Goal Post, 6' Offset, 20' Uprights
GP630HSR	High School Football Goal Post, 6' Offset, 30' Uprights
GP820HSR	High School Football Goal Post, 8' Offset, 20' Uprights
GP830HSR	High School Football Goal Post, 8' Offset, 30' Uprights
GP620ADJR	Adjustable Football Goal Post, 6' Offset, 20' Uprights
GP630ADJR	Adjustable Football Goal Post, 6' Offset, 30' Uprights
GP820ADJR	Adjustable Football Goal Post, 8' Offset, 20' Uprights
GP830ADJR	Adjustable Football Goal Post, 8' Offset, 30' Uprights
GP835COLR	College Football Goal Post, 8' Offset, 35' Uprights
GP835HSR	High School Football Goal Post, 8' Offset, 35' Uprights

Football Goal Post Placement.....	ID-00001
Base Plate Mounting Kit.....	ID-00020
Rotating Football Goal Post Elevation.....	ID-00004
GPAFITR30/GPAFN30 Access Frame Installation.....	ID-00013
Rotating Football Goal Post Gooseneck Installation.....	ID-00016
Upright Installation.....	ID-00011
Crossbar to Gooseneck Installation.....	ID-00010
AdjustRight® Upright Adjustment.....	ID-00023
Adjustable Crossbar Positioning.....	ID-00022
Rotating Football Goal Post Operation.....	ID-00027

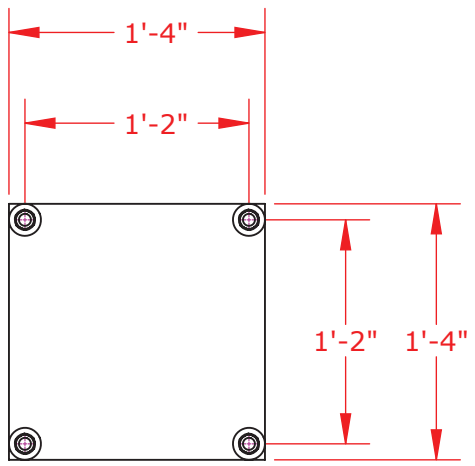
Goal Post Version	Access Frames
Ground Sleeve	Optional GPAFIT/GPAFNG
Plate Mount	Optional GPAFIT/GPAFNG
Rotating	Required GPAFITR30/GPAFN30
Gooseneck Hinged	Optional GPAFIT/GPAFNG
Rotating Gooseneck Hinged	Required GPAFITR30/GPAFN30
Manually Hinged	Required GPAFITR30/GPAFN30



Dimensions	6' Offset Gooseneck	8' Offset Gooseneck
A and C	6'-0"	8'-0"
B	6'-3 5/16"	8'-3 5/16"
D	186'-3 5/16"	188'-3 5/16"

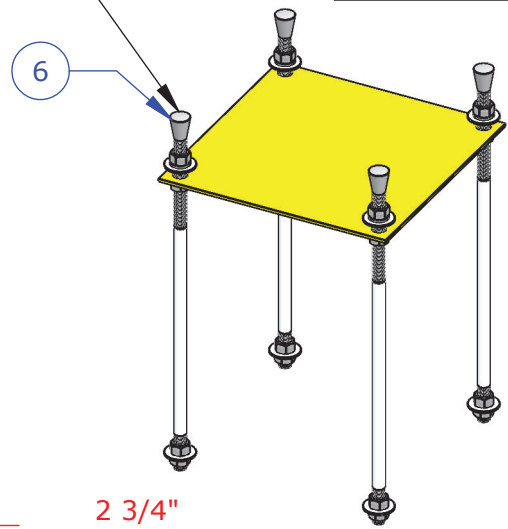
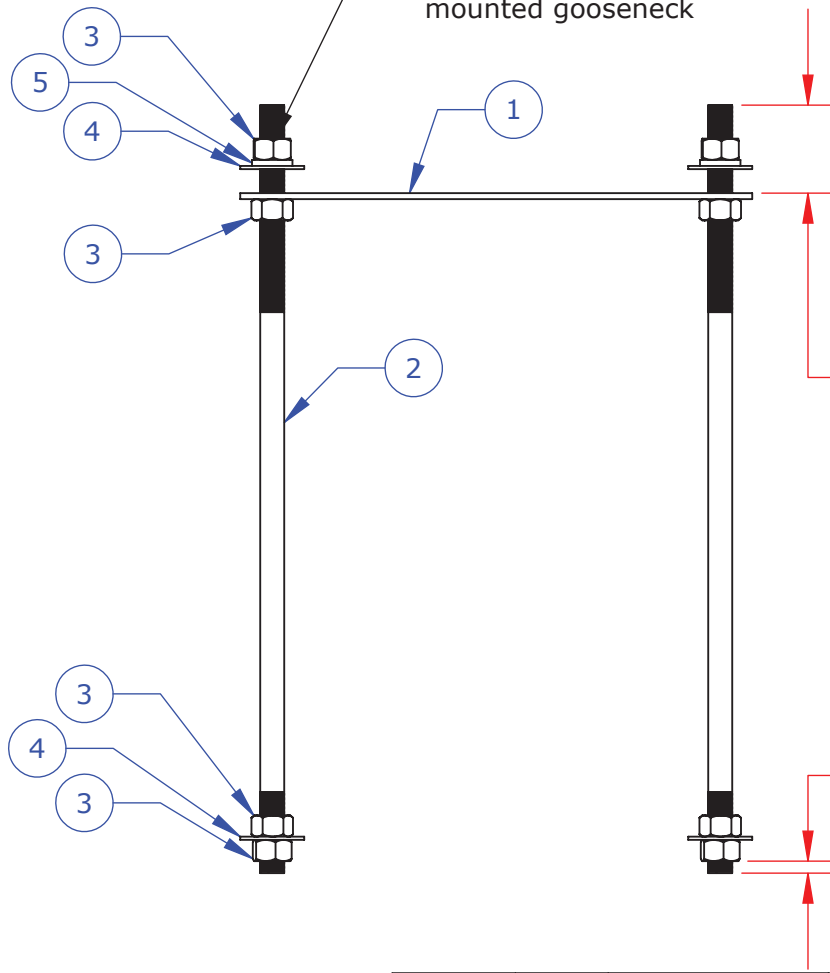
TITLE: Football Goal Post Field Placement	DWG NO: ID-00001
	SHEET 1 OF 1

Goal Post Version
Plate Mount
Rotating
Gooseneck Hinged
Rotating Gooseneck Hinged



Plastic Caps
Provided to Protect
Anchors during
Concrete Pour

Remove as
Needed to install plate
mounted gooseneck

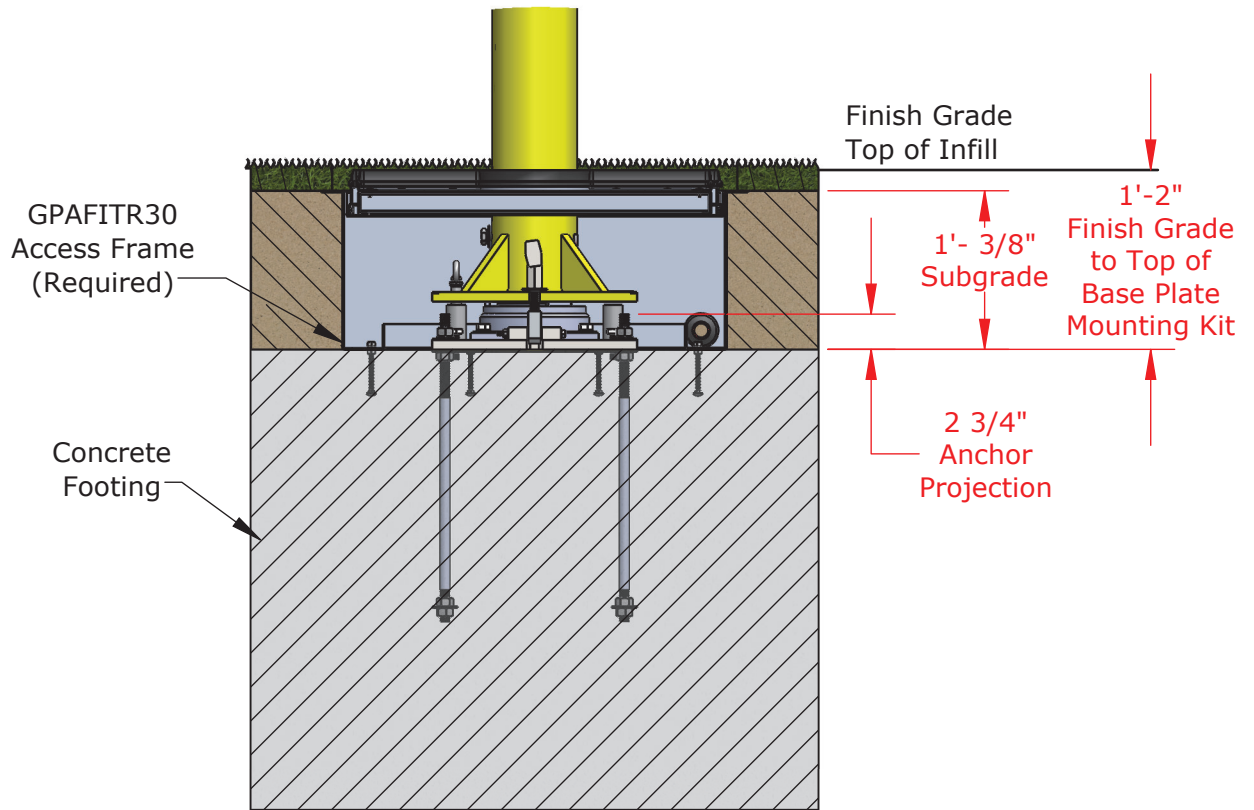


ITEM NO.	QTY.	SAP Part Number	DESCRIPTION
1	1	E-1000-0079	Mounting Plate, Steel, 7 Gauge, 16" x 16", Four 0.875" Holes
2	4	PURCHP-0680	3/4-10X24" ANCHOR BOLT, Galvanized
3	16	108-HXN-0003	3/4-10 Galvanized Hex Nut
4	8	111-FLW-0003	3/4 Galv. FLAT WASHER
5	4	111-SLW-0003	3/4-10 Galvanized Lock Washer
6	4	PURCHP-0282	CAP, THREAD PLASTIC

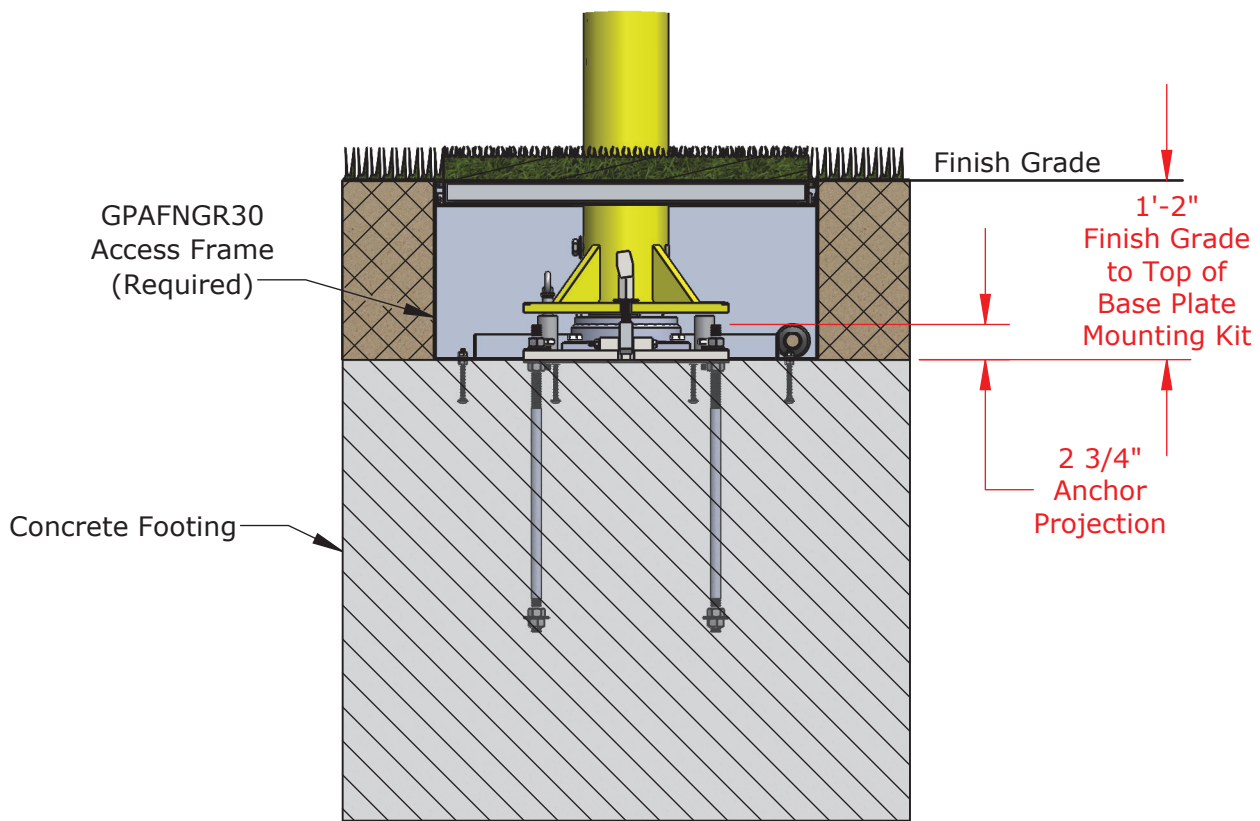
TITLE:
Base Plate Mounting Kit

DWG NO:
ID-00020

SHEET 1 OF 1



Synthetic Infill Turf Application



Natural Grass Application

TITLE: Rotating Football Goal Post Elevation

DWG NO:

ID-00004

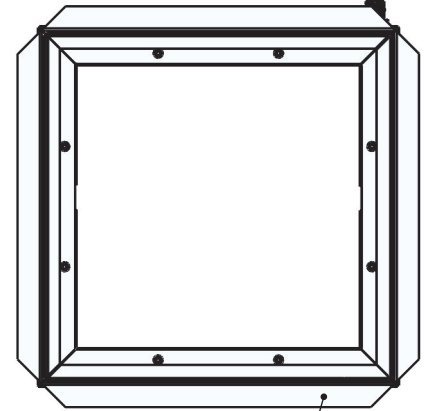
SHEET 1 OF 1

Patented Infill Retainer System

Access Frame Installation

Drain Fitting

5



Synthetic Turf Attachment Ledge

Step 4

The synthetic infill turf can be cut and secured to the provided infill turf attachment ledge. Synthetic turf and attachment method provided by others.

Step 5

Allow concrete to cure before installing football goal post.

Step 1

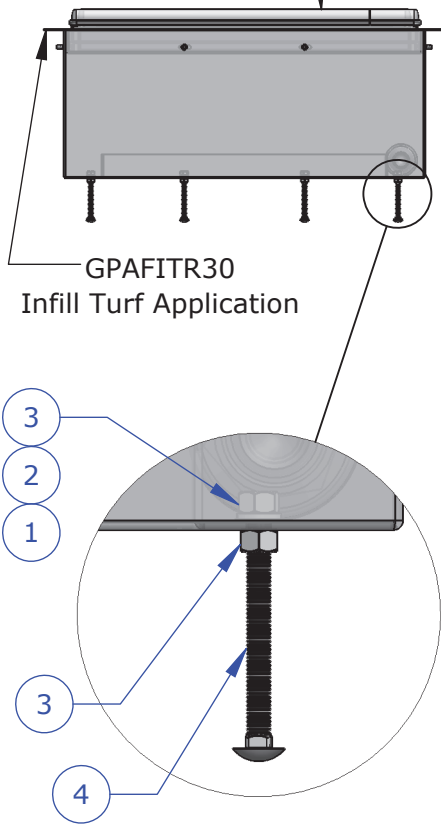
Pre-install the eight (8) carriage bolts (Item #4) into the bottom flange of the access frame box with the heads down for anchoring into concrete.

Step 2

Position the box so the drain stub (Item #5) is facing away from the field. If applicable, attach a 1" drain line to the end and connect it to the subsurface drainage system (designed and installed by others).

Step 3

Center the access frame around the baseplate and install by pushing the anchor bolts down into the wet concrete. The bottom face of the flange should be flush with the concrete surface. (See associated football elevation detail drawing.)



3

2

1

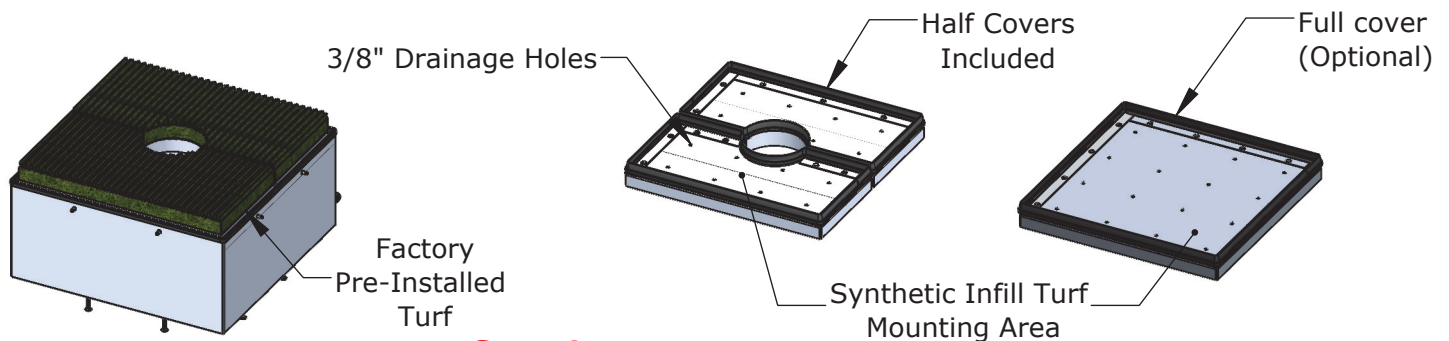
3

4

GPAFITR30
Infill Turf Application

ITEM NO.	QTY.	SAP Part Number	DESCRIPTION
1	8	110-FLW-0005	3/8 S.S. FLAT WASHER
2	8	110-SLW-0006	3/8-16 S. S. Lock Washer
3	16	107-HXN-0020	3/8-16 STAINLESS STEEL HEX NUT
4	8	101-CAB-0004	3/8-16 x 4.00" L, Carriage Bolt, SS
5	1	PURCHP-0158	Adapter, Male

Preparing the Covers



Factory
Pre-Installed
Turf

GPAFNGR30
Natural Grass Application

Step 1

The synthetic infill turf can be cut and secured to the provided Covers. Synthetic turf and attachment method provided by others.

TITLE: Football Goal Post
GPAFITR30/GPAFNGR30 Access Frame

DWG NO: ID-00013

SHEET 1 OF 1

Step 1

Remove base plate mounting kit hardware.
(reference ID-00020)

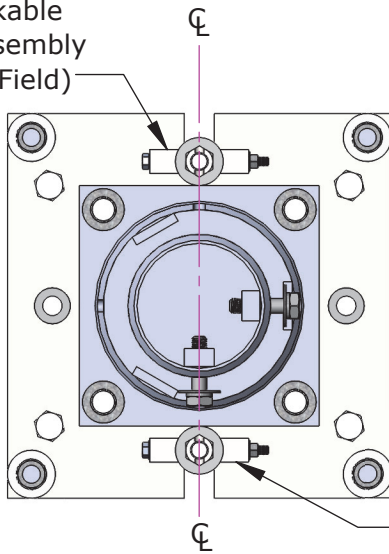
Step 2

Remove gooseneck bolts from GPR stub and
remove gooseneck from GPR assembly.

Step 3

Set GPR Assembly onto anchors with
shown centerline perpendicular to goal
line. Loosely reinstall base plate
mounting kit hardware.

Front Lockable
Hex-nut Assembly
(Closer to Field)



GPR Field Orientation

Rear Lockable
Hex-nut Assembly
(Further from Field)

Step 4

For fine adjustment, thread (4) leveling
bolts of the GPR assembly into the pre-
threaded holes until the bottom side of the
bolt meets the base plate mounting kit
below to plumb the GPR stub. Shim as
needed.

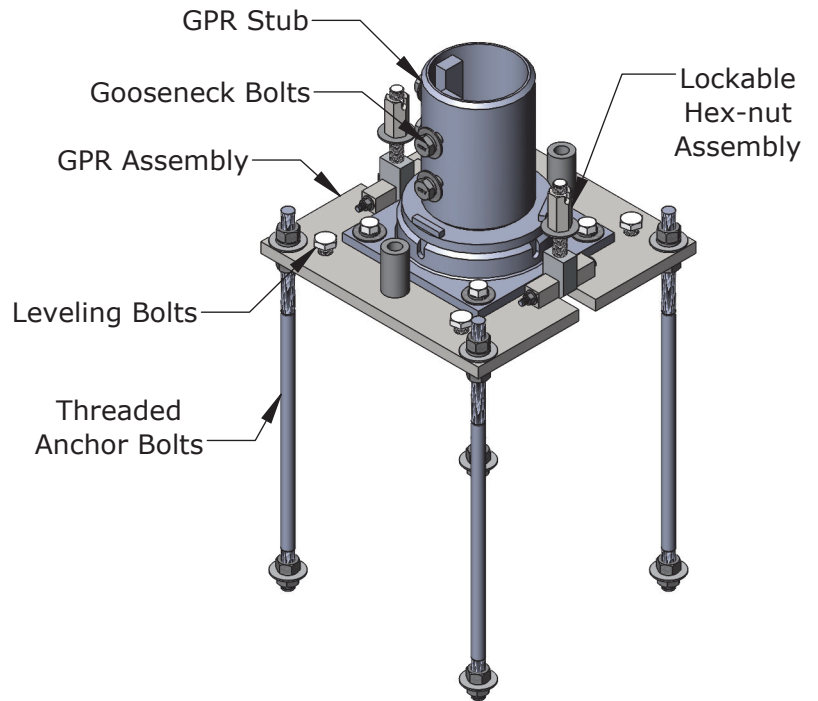
Step 5

Tighten anchor hardware before reinstalling
gooseneck onto GPR assembly.

Step 6

Starting with the rear lockable hex-nut
assembly, tighten it until gooseneck is
plumb, then tighten the front lockable
hex-nut assembly.

Caution: To avoid potential deflection of
the gooseneck base plate, do not
overtighten the lockable hex-nut assemblies



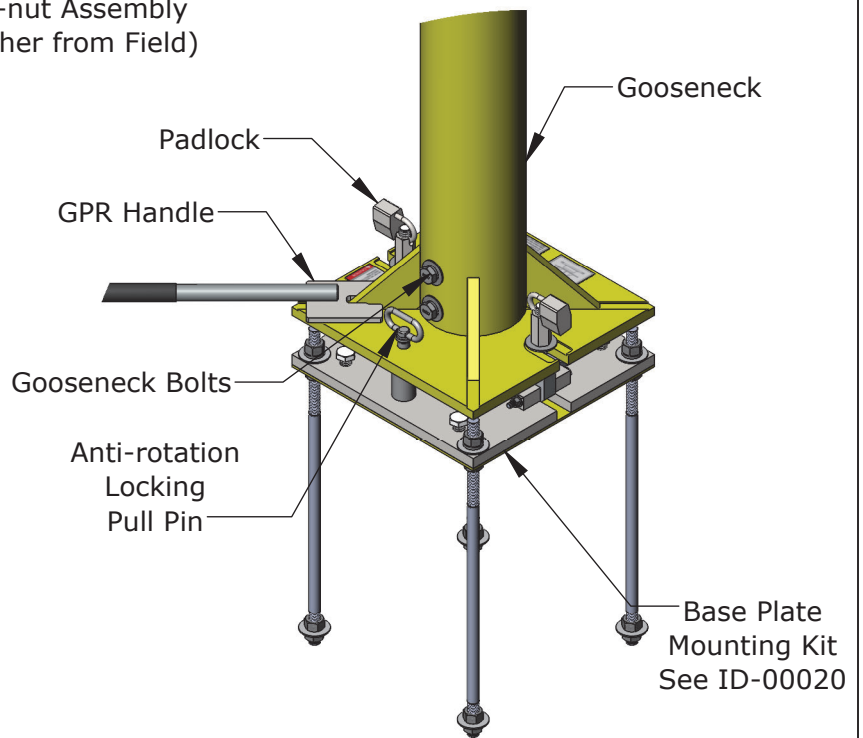
GPR Assembly without Gooseneck

Step 7

Tighten all hardware when plumb.

Step 8

Install padlocks to prevent unauthorized use.



GPR Assembly with Gooseneck

TITLE:

Rotating Football Goal Post
Gooseneck Installation

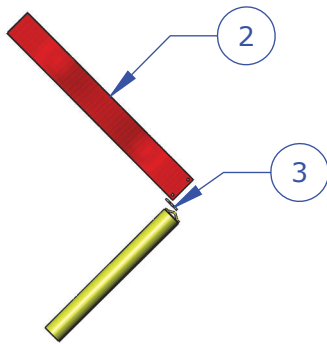
DWG NO:

ID-00016

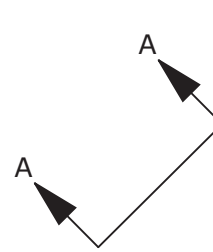
SHEET 1 OF 1

Step 1

Install the directional flags onto the top of the upright using supplied spring hooks.



SECTION VIEW A-A



Step 2

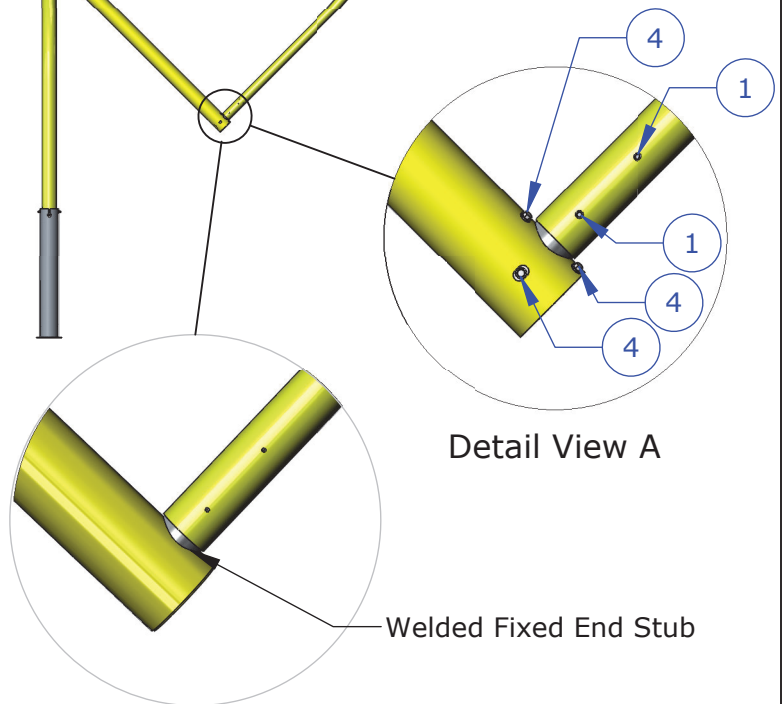
Insert the crossbar into the gooseneck and rotate the crossbar as shown to facilitate upright installation.

Important Note:

Do not install any crossbar to gooseneck hardware at this time, crossbar will need to be manually held in place during the entire upright installation. do not allow crossbar to over-rotate, allowing upright to hit the ground.

Step 3

Install the uprights onto the stub using the 1/4" serrated flange hex bolts (Item #1). Tighten the hardware connecting the upright to the stub.



Detail View A

Welded Fixed End Stub

Detail View B for 35' Uprights

Step 4

Per Detail View A, Install the Adjustright® hardware (Item #4) and hand tighten only at this time. For models with 35' uprights, please see Detail View B.

Step 5

After installing the first upright, rotate the crossbar bar to the opposite side to facilitate installation of the remaining upright. After both uprights are installed, rotate the crossbar assembly to its final level position.

ITEM NO.	QTY.	SAP Part Number	DESCRIPTION
1	4	100-HWH-0001	1/4-20 x 1" Hex Washer Head with serrated flange, Grade 5, Fully Threaded
2	2	GPDSTRGPT	Directional Flag
3	2	PURCHP-0097	3/16" Spring Hook-No Eye 304 SS
4	6	100-HWH-0002	3/8-16 x 1" Hex Washer Head with serrated flange, Grade 5, Fully Threaded

TITLE:

Football Goal Post Upright Installation

DWG NO:

ID-00011

SHEET 1 OF 1

Step 1

Insert all hardware as shown below.
Do not tighten. (See note #1)

Step 2

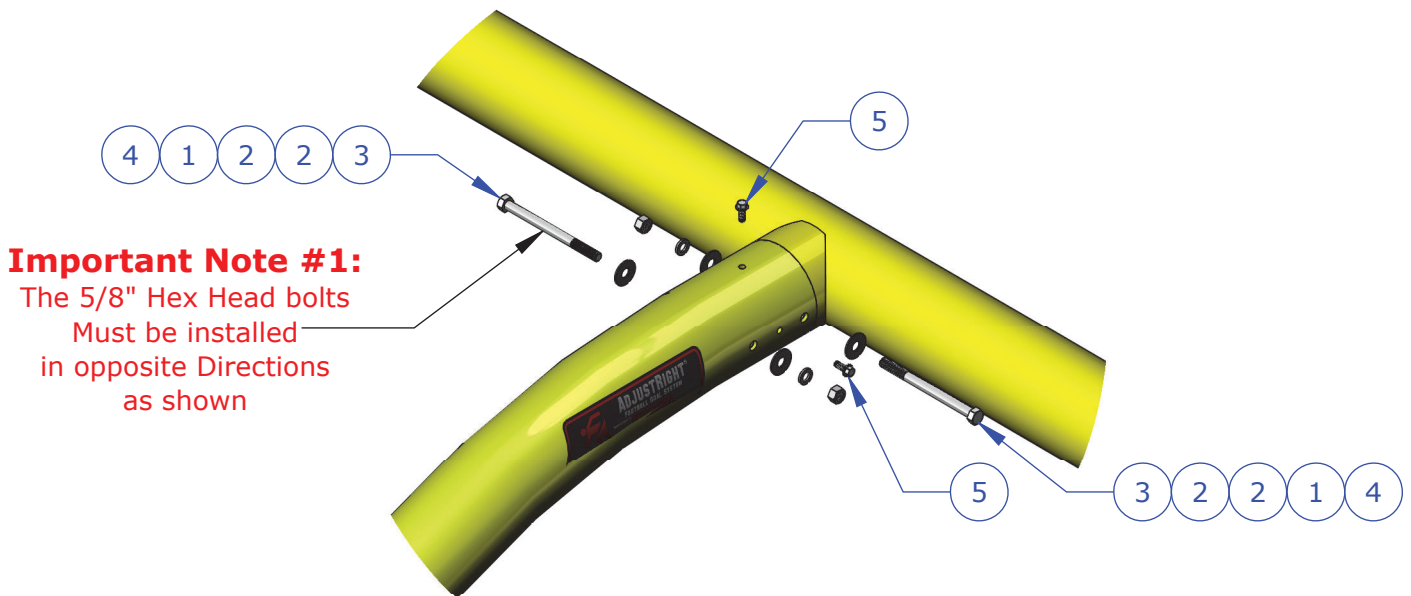
Verify that the crossbar is level,
tighten the (2) 3/8" serrated flange
hex bolts (Item #5) with hand tools.

Step 3

Tighten all remaining hardware.

Step 4

Verify that the crossbar is parallel
to the end line. Top of crossbar
must be 10' above finish grade. If
necessary, make adjustments
using leveling and/or centering
hardware at the base of the
gooseneck.



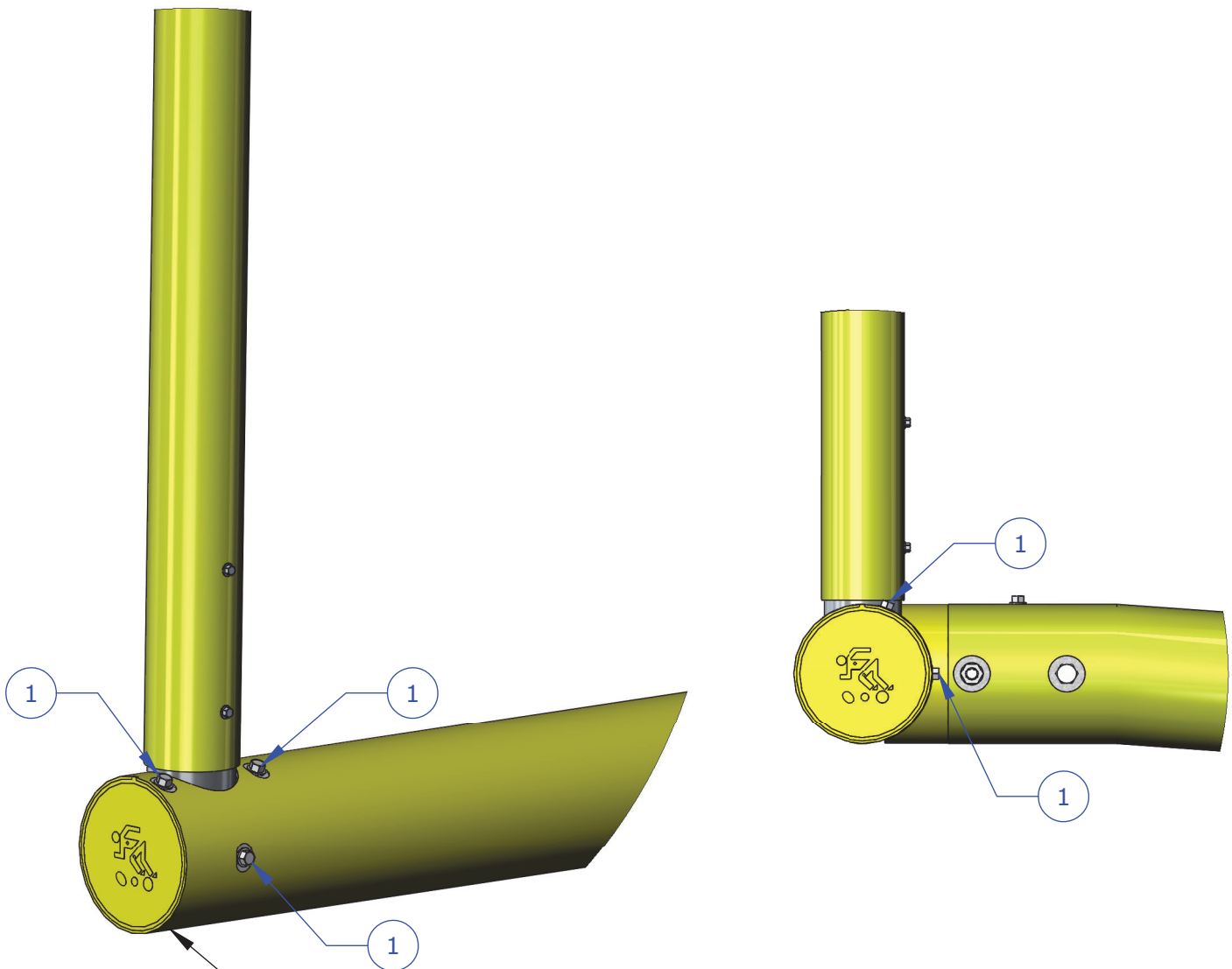
Gooseneck/Crossbar Hardware

ITEM NO.	QTY.	SAP Part Number	DESCRIPTION
1	2	111-SLW-0005	5/8 Galvanized Lock Washer
2	4	111-FLW-0005	5/8" Galvanized Steel Flat Washer
3	2	102-HHC-0014	5/8-11 GALV. Hex Head Bolt X 8.000" Long
4	2	108-HXN-0005	5/8-11 Hex Nut, Galv.
5	2	100-HWH-0002	3/8-16 x 1" Hex Washer Head with serrated flange, Grade 5, Fully Threaded

TITLE: **Football Goal Post
Crossbar to Gooseneck Installation**

DWG NO: **ID-00010**

SHEET 1 OF 1



All Adjustright®
football Goals with
20' and 30' Uprights

Step 1

Position the level vertically on the upright. Move the upright back and forth utilizing the AdjustRight® stub adjustment feature until upright is plumb and tighten the 3/8" serrated flange bolts (Item # 1) by hand, making sure to maintain upright position.

Step 2

Double check the upright for plumb and tighten the 3/8" serrated flange hex bolts (Item # 1) with a hand torque wrench set to 55 ft-lbs.

Important Note:

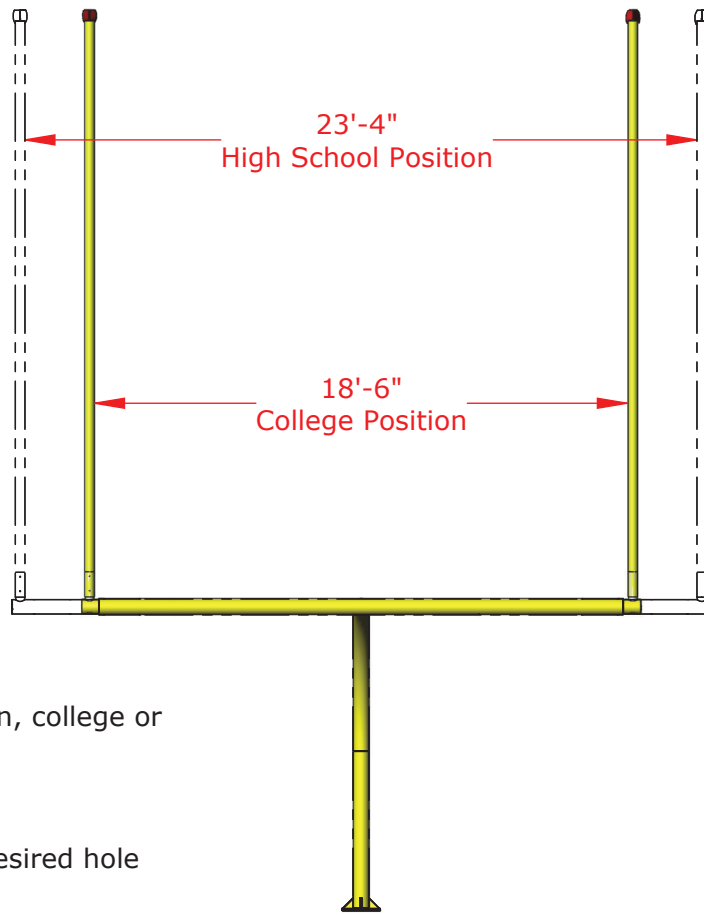
Do not exceed 55 ft-lbs, Failure to complete this step will allow uprights to fall out of alignment.

ITEM NO.	QTY.	SAP Part Number	DESCRIPTION
1	6	100-HWH-0002	3/8-16 x 1" Hex Washer Head with serrated flange, Grade 5, Fully Threaded

TITLE: **Football Goal Post
AdjustRight® Upright Adjustment**

DWG NO: **ID-00023**

SHEET 1 OF 1

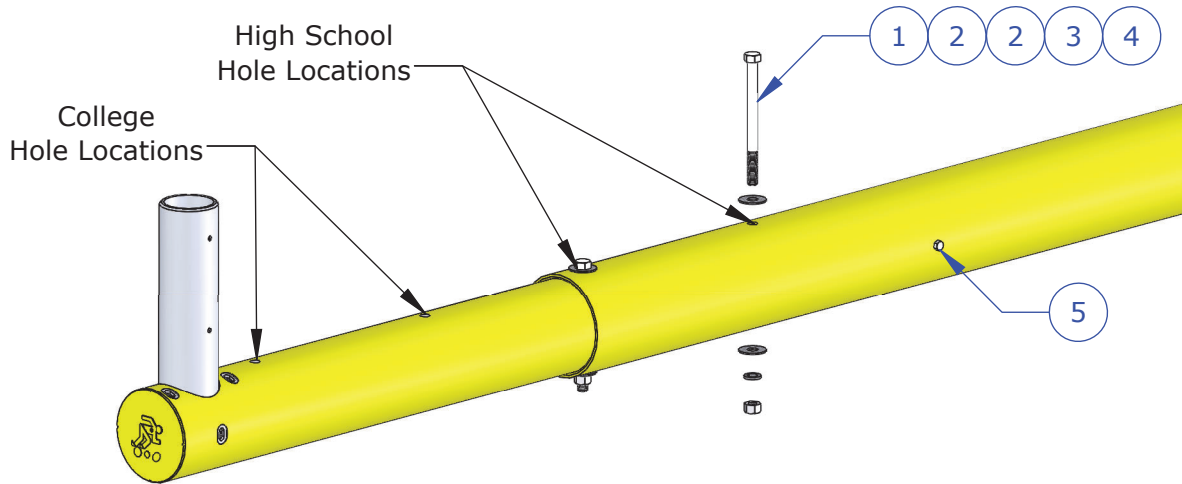


Step 1

Determine the desired position, college or high school.

Step 2

Move adjustable crossbar to desired hole location and install hardware.



ITEM NO.	QTY.	SAP Part Number	DESCRIPTION
1	4	102-HHC-0014	5/8-11 GALV. Hex Head Bolt X 8.000" Long
2	8	111-FLW-0005	5/8" Galvanized Steel Flat Washer
3	4	111-SLW-0005	5/8 Galvanized Lock Washer
4	4	108-HXN-0005	5/8-11 Hex Nut, Galv.
5	2	101-HHC-0033	3/8-16 x 1.00" Hex Head Bolt, 304 SS

TITLE: **Football Goal Post Adjustable Crossbar Positioning**

DWG NO: **ID-00022**

SHEET 1 OF 1

Step 1

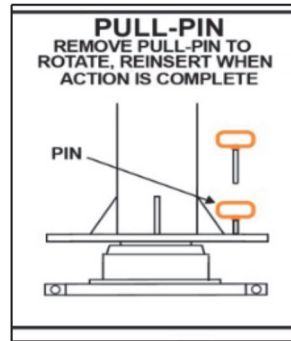
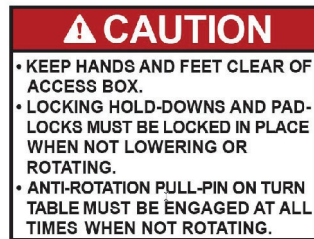
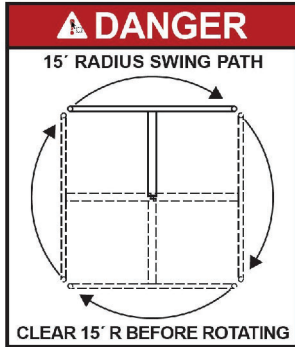
Remove the access frame covers. Unlock and remove the padlocks from the lockable hex-nut assemblies.

Step 2

Use the notched end of the GPR handle to loosen and lower the lockable hex-nut assemblies.

Caution: Both safety locking assemblies must be laying flat to prevent interference during the rotation process.

Caution: Heed all warning labels during operation



Step 3

Pull the anti-rotation locking pull pin. Using the GPR handle applied at the base of the gusset, Rotate 180° into the desired position. Replace pull pin.

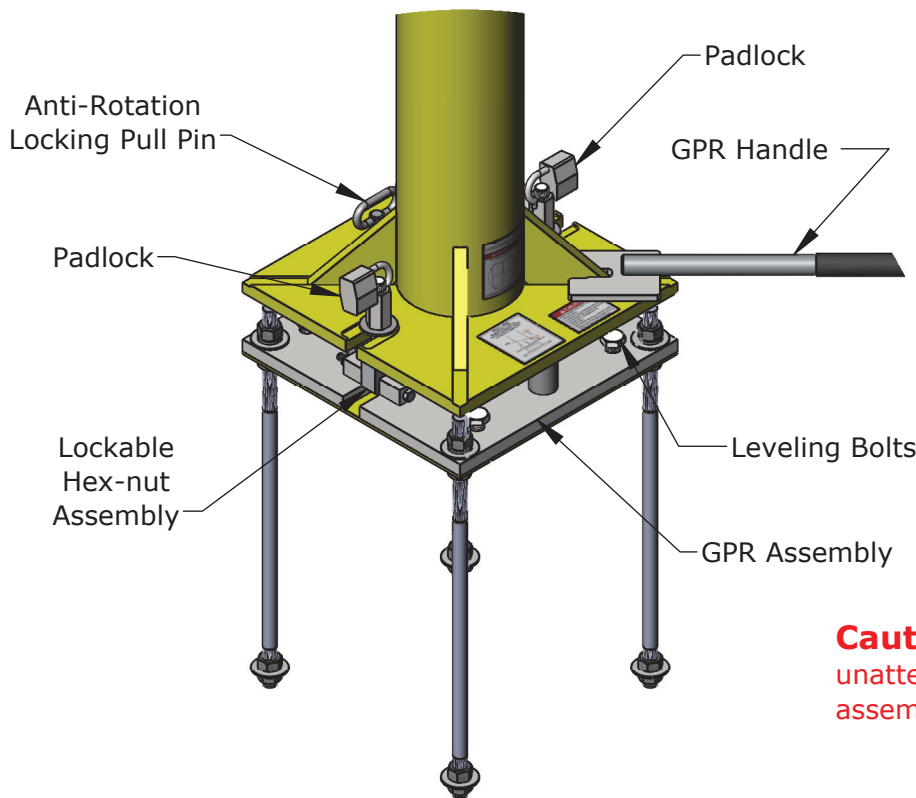
Step 4

Re-engage both lockable hex-nut assemblies by using the notched end of the handle to tighten.

Step 5

Secure the padlocks and replace the access frame covers.

Caution: The goal should never be left unattended without the lockable hex-nut assemblies securely in place.



TITLE: Rotating Football Goal Post Rotating Operation

DWG NO:

ID-00027

SHEET 1 OF 1