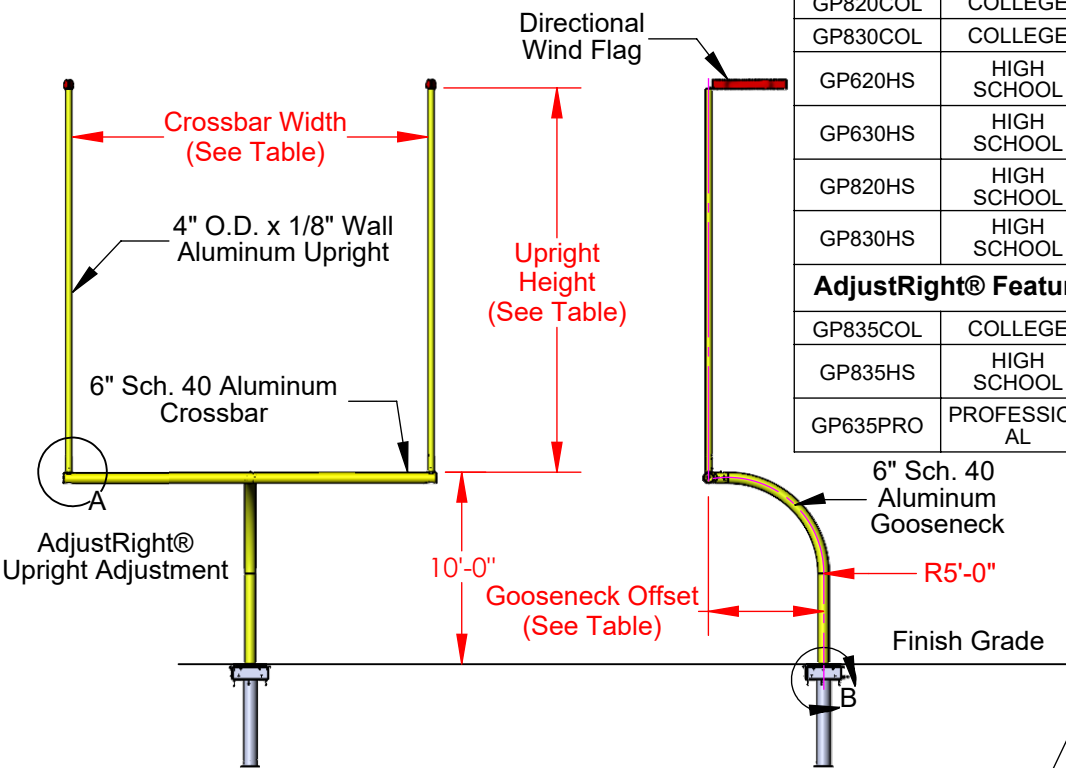


United States Patent #7,883,432, Issued February 8, 2011
United States Patent #7,914,401, Issued March 29, 2011

Powder Coated Yellow or White Finish



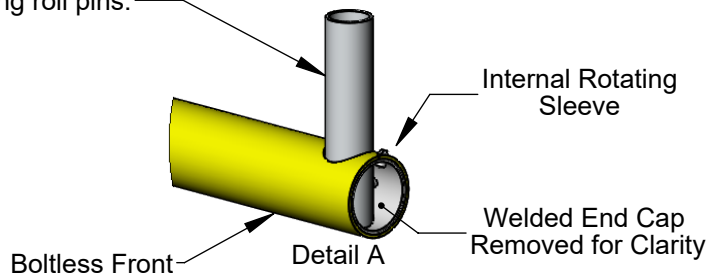
PART NO.	MODEL	GOOSENECK OFFSET	UPRIGHT HEIGHT	CROSSBAR WIDTH (I.D.)
GP620COL	COLLEGE	6'-0"	20'-0"	18'-6"
GP630COL	COLLEGE	6'-0"	30'-0"	18'-6"
GP820COL	COLLEGE	8'-0"	20'-0"	18'-6"
GP830COL	COLLEGE	8'-0"	30'-0"	18'-6"
GP620HS	HIGH SCHOOL	6'-0"	20'-0"	23'-4"
GP630HS	HIGH SCHOOL	6'-0"	30'-0"	23'-4"
GP820HS	HIGH SCHOOL	8'-0"	20'-0"	23'-4"
GP830HS	HIGH SCHOOL	8'-0"	30'-0"	23'-4"

AdjustRight® Feature Replaced with Fixed Upright

GP835COL	COLLEGE	8'-0"	35'-0"	18'-6"
GP835HS	HIGH SCHOOL	8'-0"	35'-0"	23'-4"
GP635PRO	PROFESSIONAL	6'-0"	35'-0"	18'-6"

AdjustRight

Patented design feature that allows for a true vertical adjustment of the upright while still maintaining squareness and distance between crossbar/upright connection with the use of precision friction fit textured surfaces rather than locking roll pins.

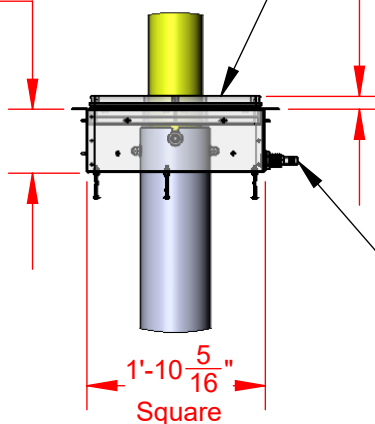


8" Dimension From Top of Synthetic Turf Attachment Ledge to Bottom of Box

Optional GPAFIT Access Frame Kit +

1 5/8"

Dimension From Top of Synthetic Turf Attachment Ledge to Top of Gasket



1" PVC Drain Stub for Positive Connection to Subsurface Drainage System (Installed by Others)

Foundation requirements based on local codes and soil conditions

Minimum Recommended Foundation Diameter = 2'-6"

PROPRIETARY AND CONFIDENTIAL

THE INFORMATION CONTAINED IN THIS DRAWING IS THE SOLE PROPERTY OF SPORTSFIELD SPECIALTIES INC. ANY REPRODUCTION IN PART OR AS A WHOLE WITHOUT THE WRITTEN PERMISSION OF SPORTSFIELD SPECIALTIES INC. IS PROHIBITED.

Ground Sleeve Football Goal Post

Not To Scale

Sportsfield Specialties Inc 03252025