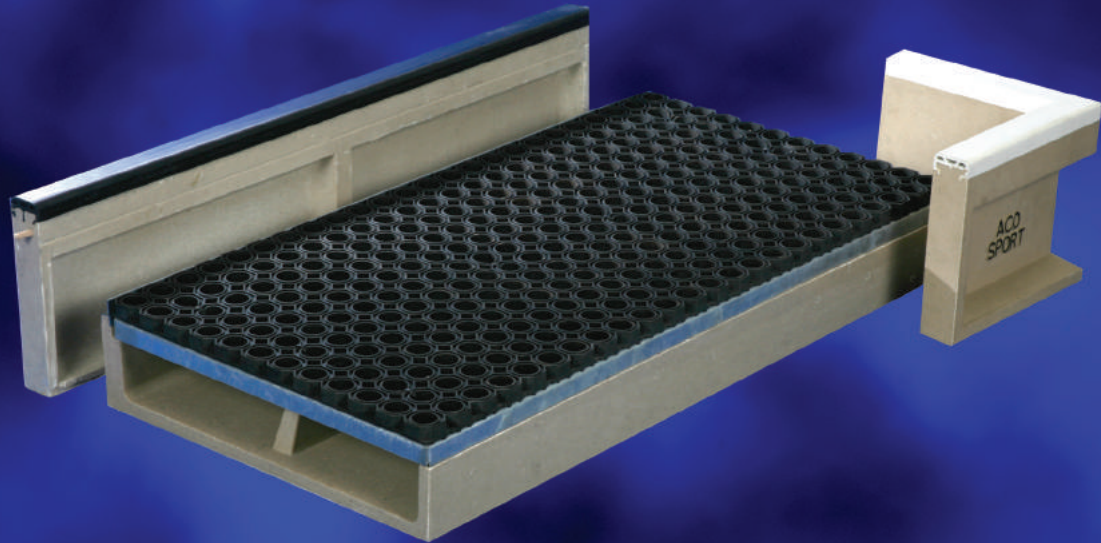


Surface Drainage and
Building Elements



ACO SPORT

System 7000 Product Brochure

Long Jump Pit Systems and Elastic Curbing



System 7000

ACO Sport System 7000 offers a range of long jump pit and bordering products that provide a cellular TPE (thermoplastic elastomer) rubber top to provide a soft, safe edge to reduce injury.

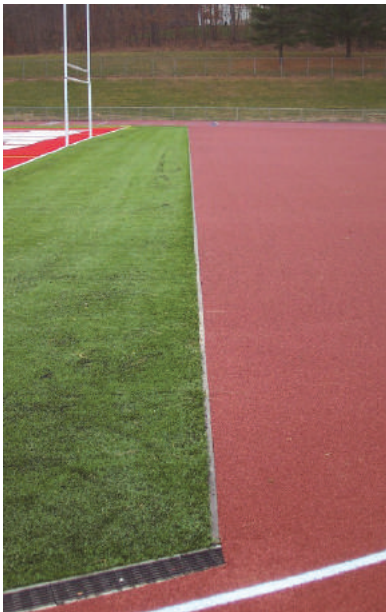
System 7100 Elastic Curbing

Polymer concrete curbing with TPE rubber cap, used to reduce and prevent injury, especially around long jump pits, play areas and other borders between surfaces at sports fields.

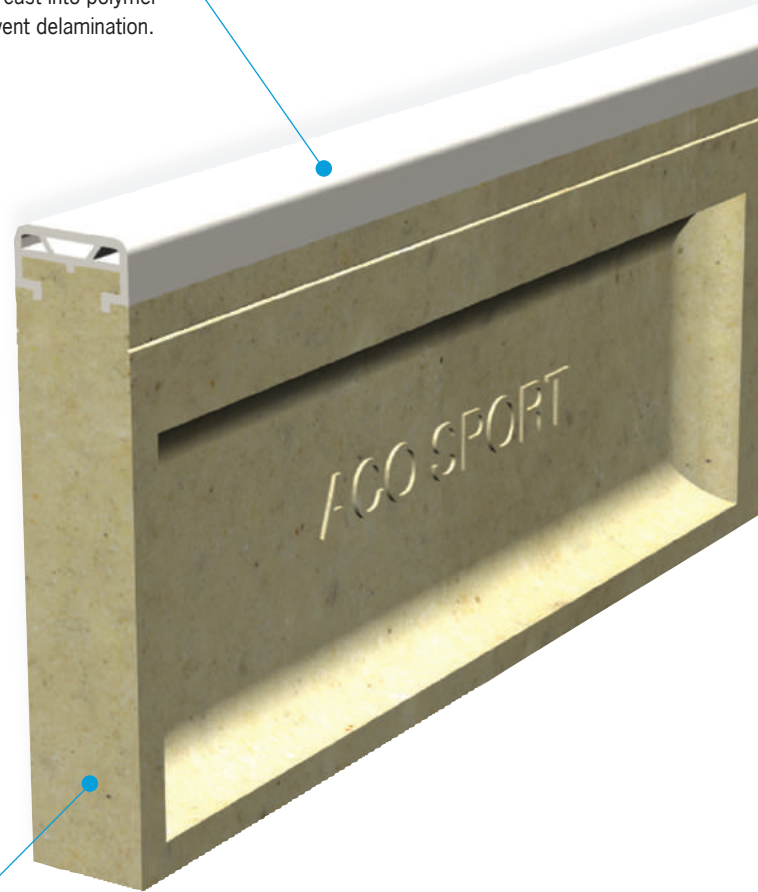
Can also provide a safe visual border in long jump runways and between different sport surfaces, such as between in-field turf and 'D' areas.

Also ideal for containing loose surfaces such as cinder, clay or sand.

System 7100 elastic curbs are available in two sizes with either a white or black TPE cap.

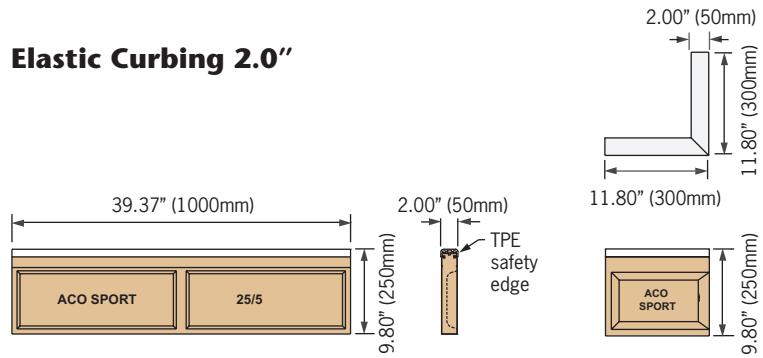


Cellular TPE rubber cap - provides a soft, safe edge to reduce injury. Ultraviolet and weather resistant cap provides long service life. Integrally cast into polymer concrete curb to prevent delamination.

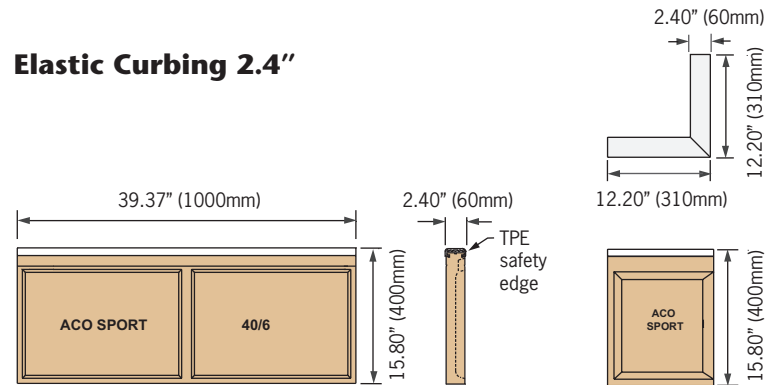


Choice of sizes - 2.0" and 2.4" with corner units to provide a neat 90° angle, other angles can be created, on site, by mitering straight units.

Elastic Curbing 2.0"



Elastic Curbing 2.4"



System 7100 - Elastic Curbing

	Part No	Length in (mm)	Overall Depth in (mm)	Weight lbs
Elastic curbing				
Straight 2.0" white	00962	39.37 (1000)	9.8 (249)	31.8
Straight 2.0" black	00960	39.37 (1000)	9.8 (249)	31.8
Straight 2.4" white	00964	39.37 (1000)	15.8 (400)	45.6
Corner 2.0" white	00968	11.8 (300)	9.8 (249)	17.0
Corner 2.0" black	01041	11.8 (300)	9.8 (249)	17.0
Corner 2.4" white	00969	12.2 (310)	15.8 (400)	26.5

Choice of colors - white or black to complement or contrast with paving materials.



Profiled side walls - provide additional strength and anchor curbing securely in concrete surround.

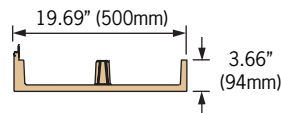
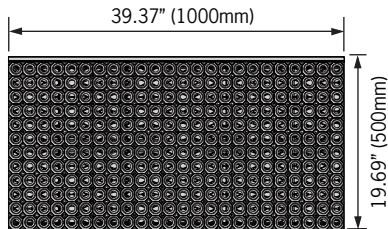


System 7200 Sand Traps

Sand traps help prevent large quantities of sand being left on the track surface around long jump pits as it can quickly wear away and damage the track surface.

System 7200 sand traps collect sand splash around long jump pits, reducing abrasion damage to surrounding track surface.

Sand traps are commonly used in a single row along the sides and end of the long jump pit.



	Part No	Length in (mm)	Overall Depth in (mm)	Weight lbs
Elastic curbing				
Sand trap	02739	39.37 (1000)	5.7 (145)	72.8
Metal grate & rubber mat	01453	39.37 (1000)	1.9 (48)	32.0
End cap	02740	19.69 (500)	6.8 (200)	12.0

Note: This table is for use if using sand traps only not the modular jump pit system.

System 7300 Modular Long Jump Pit Systems

In order to make the creation of long jump pits easier a modular concept has been introduced to suit the three most common sizes required; high school, college (NCAA) and international (IAAF).

The system comprises of TPE capped curbs with a 2" interior ledge to support the aluminum covers and optional sand traps fabricated to fit around the curbs.

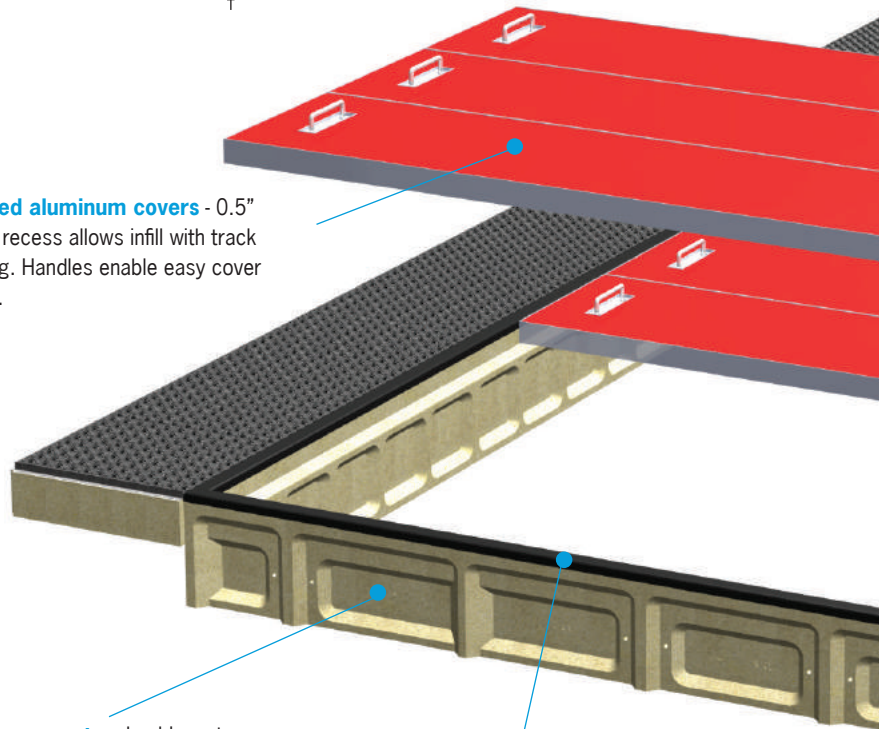
Two sand trap options exist;

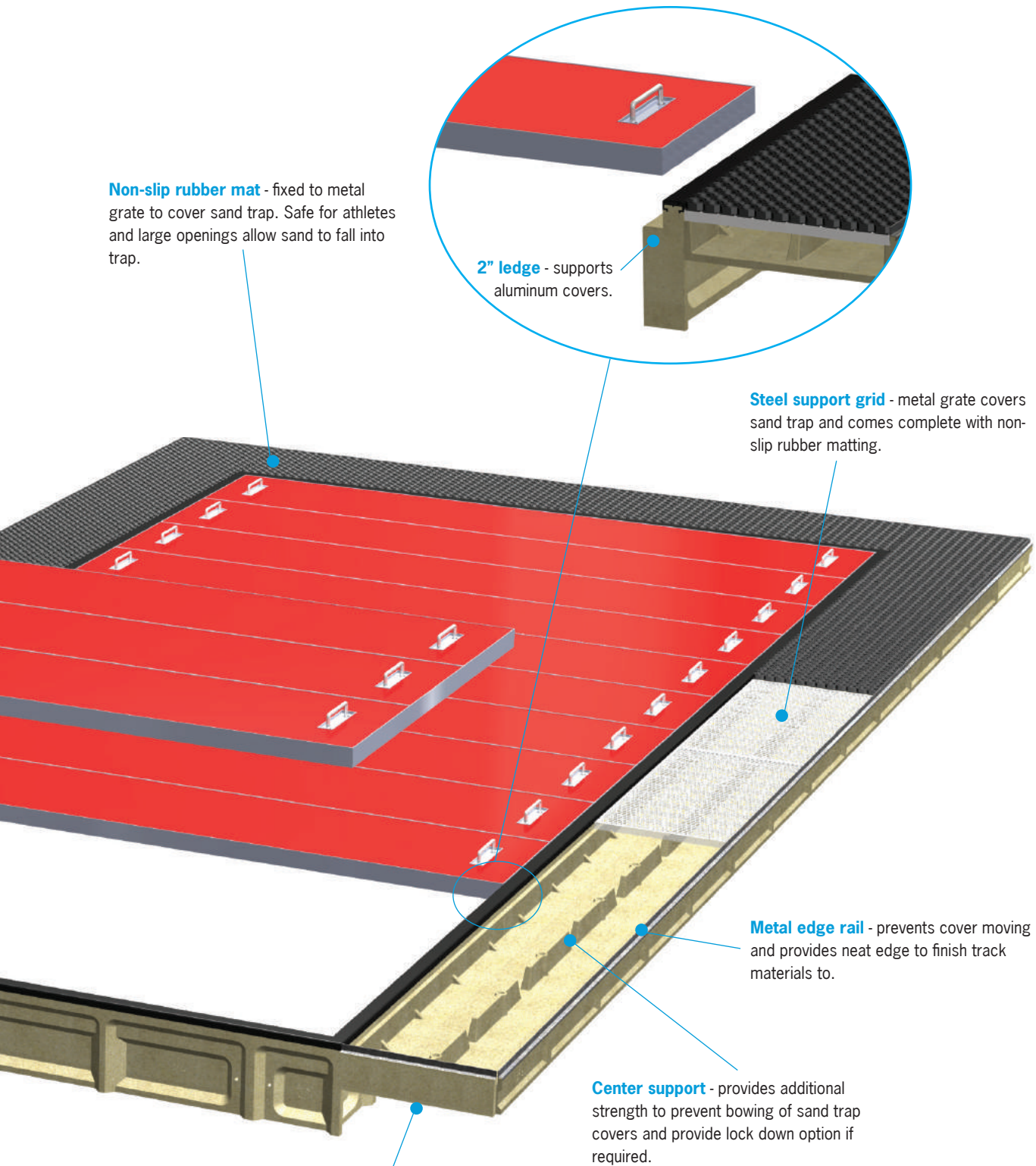
- 'Flushend' that fit around 3 sides, (as shown right)
- 'Wraparound' sand traps wrap around the front of the curbs to the runway.

Recessed aluminum covers - 0.5" (12mm) recess allows infill with track surfacing. Handles enable easy cover removal.

Polymer concrete - durable, yet lightweight, material made from polyester resin binder reinforced by mineral aggregates and fillers. Provides up to four times the compressive strength of cement concrete. Offers a thermal expansion ratio similar to the concrete surround, particularly important to prevent 'buckling.'

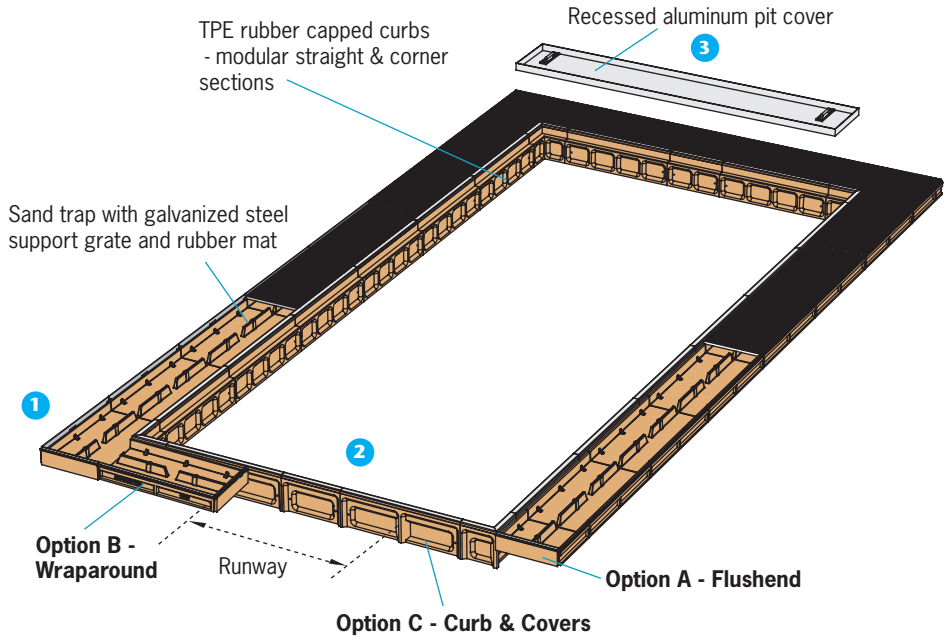
Cellular TPE rubber cap - provides a soft, safe edge to reduce injury. Ultraviolet and weather resistant cap provides long service life. Integrally cast into polymer concrete curb to prevent delamination. Available in black or white.



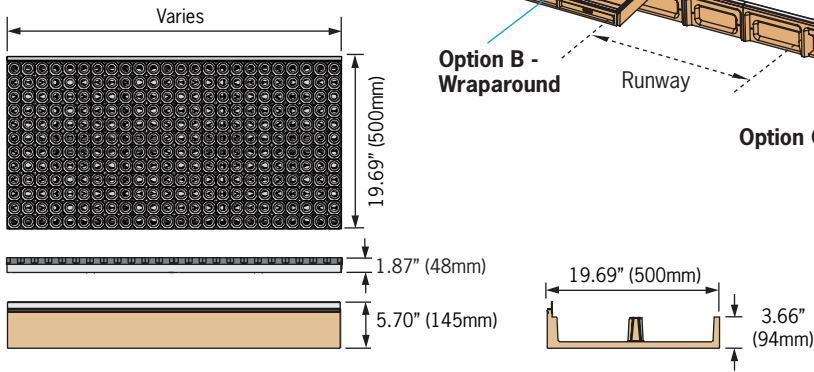


Bottom outlet - optional 4" bottom drill-out in the base to drain rainwater from the trap. One outlet per side of the sand trap is recommended.

System 7300 Modular Long Jump Pit Systems

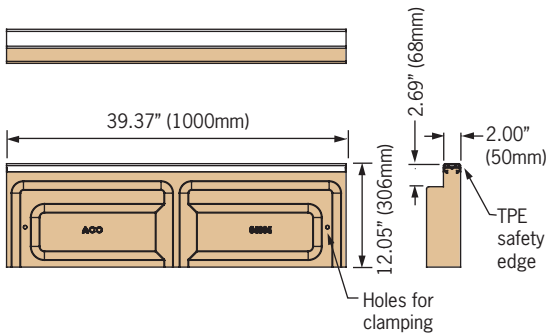


Sand Traps 1

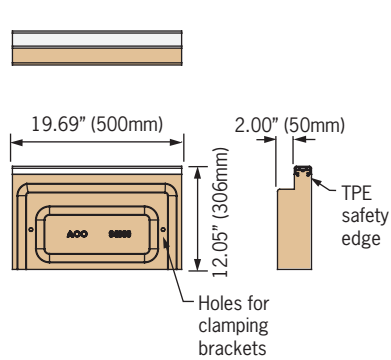


EPDM Curbs 2

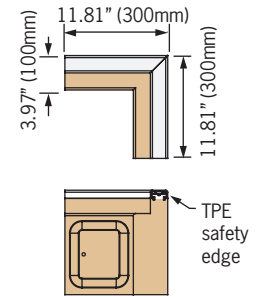
One meter curb



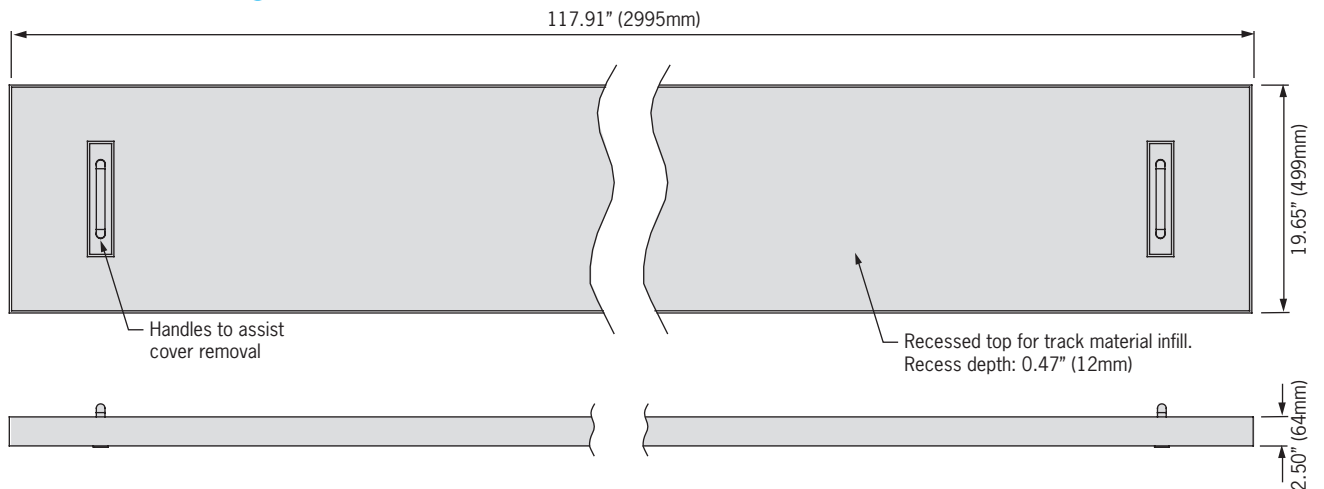
Half meter curb



Corner curb



Aluminum Cover 3



System 7300 - Parts Table

	Part No	Weight lbs
System 7310 - High School Jump Pits - internal size (3m wide x 6.5m long)		
Option A - Flushend		
Jump Pit System (curbs, sand traps & covers) Flushend - Black	91021	3998.0
Jump Pit System (curbs, sand traps & covers) Flushend - White	91018	3998.0
Option B - Wraparound		
Jump Pit System (curbs, sand traps & covers) Wraparound - Black	91008	4318.0
Jump Pit System (curbs, sand traps & covers) Wraparound - White	91025	4318.0
Option C - Curb & Cover		
Jump Pit System (curbs, & covers) - Black	91023	2215.0
Jump Pit System (curbs, & covers) - White	91040	2215.0
System 7320 - College (NCAA) Jump Pits - internal size (3m wide x 7.5m long)		
Option A - Flushend		
Jump Pit System (curbs, sand traps & covers) Flushend - Black	91032	4433.0
Jump Pit System (curbs, sand traps & covers) Flushend - White	91031	4433.0
Option B - Wraparound		
Jump Pit System (curbs, sand traps & covers) Wraparound - Black	91045	4791.0
Jump Pit System (curbs, sand traps & covers) Wraparound - White	91038	4791.0
Option C - Curb & Cover		
Jump Pit System (curbs, & covers) - Black	91027	2475.0
Jump Pit System (curbs, & covers) - White	91016	2475.0
System 7330 - International (IAAF) Jump Pits - internal size (3m wide x 8.5m long)		
Option A - Flushend		
Jump Pit System (curbs, sand traps & covers) Flushend - Black	91017	4,906.0
Jump Pit System (curbs, sand traps & covers) Flushend - White	91042	4,906.0
Option B - Wraparound		
Jump Pit System (curbs, sand traps & covers) Wraparound - Black	91028	5,264.0
Jump Pit System (curbs, sand traps & covers) Wraparound - White	91047	5,264.0
Option C - Curb & Cover		
Jump Pit System (curbs, & covers) - Black	91036	2,735.0
Jump Pit System (curbs, & covers) - White	91009	2,735.0
Accessories		
Jump Pit System Assembly Kit	91046	48.5





ACO Sport products

- **System 2000**
The premier slotted running track drain system used on IAAF tracks.
- **System 3000**
The economical, general purpose running track slot drain system used by colleges and schools.
- **System 4000**
An open channel drain with removable grates. Ideal for tennis courts and general sportsfield use.
- **System 7000**
Rubber capped safety curbs and sand traps to fit around jump pits and playgrounds.
- **System 8000**
A series of accessories for water jump, pole vault and throwing disciplines.
- **System 9000**
A simple polymer concrete stadium terracing and seating system for college and school facilities.

ACO, Inc.

West Sales Office

825 W. Beechcraft St.
Casa Grande, AZ 85122
Tel: (520) 421-9988
Toll Free: (888) 490-9552
Fax: (520) 421-9899

Northeast Sales Office

9470 Pinecone Drive
Mentor, OH 44060
Tel: (440) 639-7230
Toll free: (800) 543-4764
Fax: (440) 639-7235

Southeast Sales Office

4211 Pleasant Road
Fort Mill, SC 29708
Toll free: (800) 543-4764
Fax: (803) 802-1063

Electronic Contact:

info@acousa.com
www.acosport.us



© May 2018 ACO, Inc.

All reasonable care has been taken in compiling the information in this document. All recommendations and suggestions on the use of ACO products are made without guarantee since the conditions of use are beyond the control of the Company. It is the customer's responsibility to ensure that each product is fit for its intended purpose and that the actual conditions of use are suitable. ACO, Inc. reserves the right to change products and specifications without notice.

Re-order Part # AS007