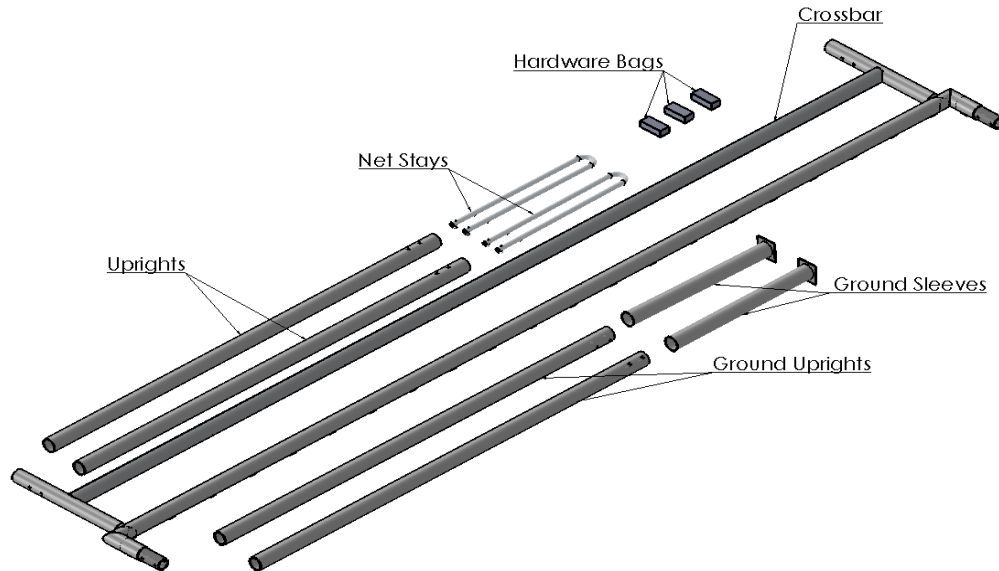




## Combination “H” Style High School Football/Soccer Goal with Ground Sleeve Installation Instructions

**GPHC20HS, GPHC30HS, GPHC20COL, GPHC30COL  
(GP4900, GP4903, GP4700, GP4703)**



### **Hardware Kit Parts List**

#### **Bag #1 (Ground Uprights Hardware)**

(4) 3/8-16 Stainless Steel Serrated Hex Head Bolts 1” Long

#### **Bag #3 (Net)**

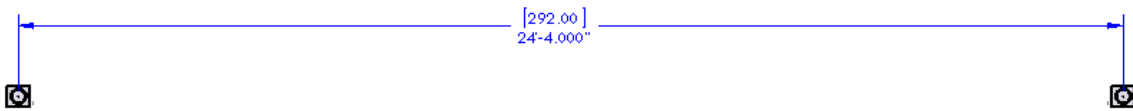
(1) Net  
(4) SS Spring Pin 1/4” dia. X 1.737” usable length

#### **Bag #2 (Upright Hardware)**

(4) 1/4-20 Stainless Steel Serrated Hex Head Bolts 3/4” Long  
(2) 3/16” Stainless Steel Spring Hooks  
(2) Wind Directional Flags

## **Foundation and Ground Sleeve Installation**

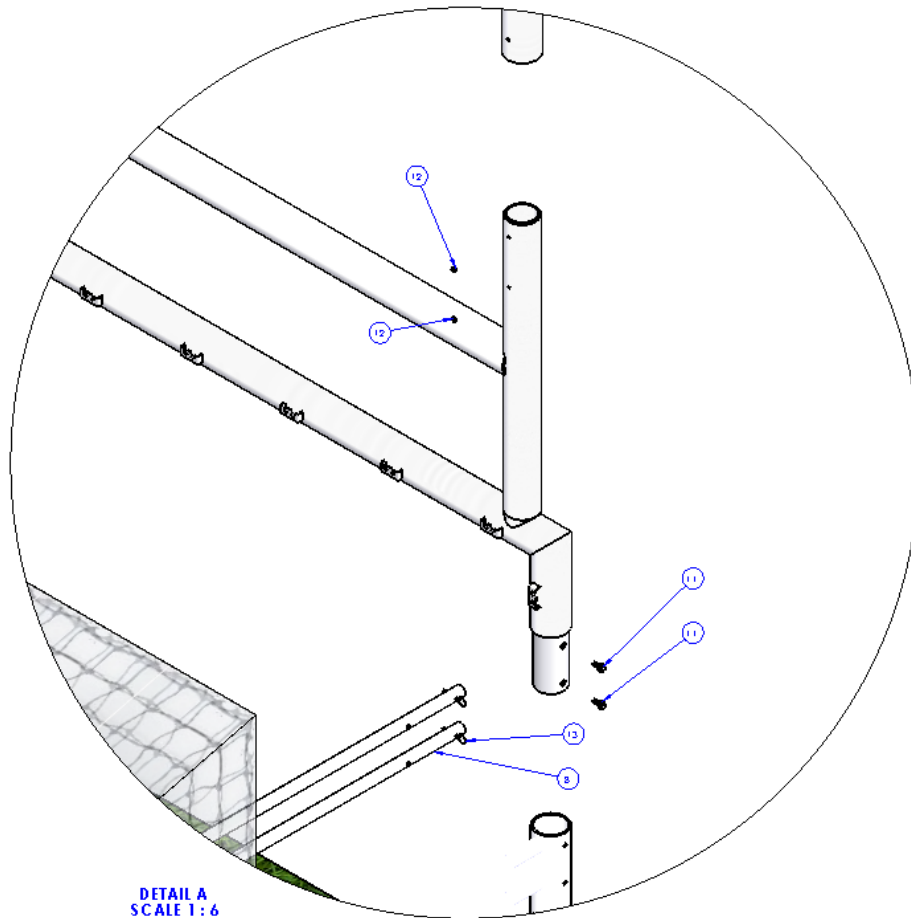
1. Locate Combination “H” goal ground sleeve positions. *(Using measurements from Figure 1)*

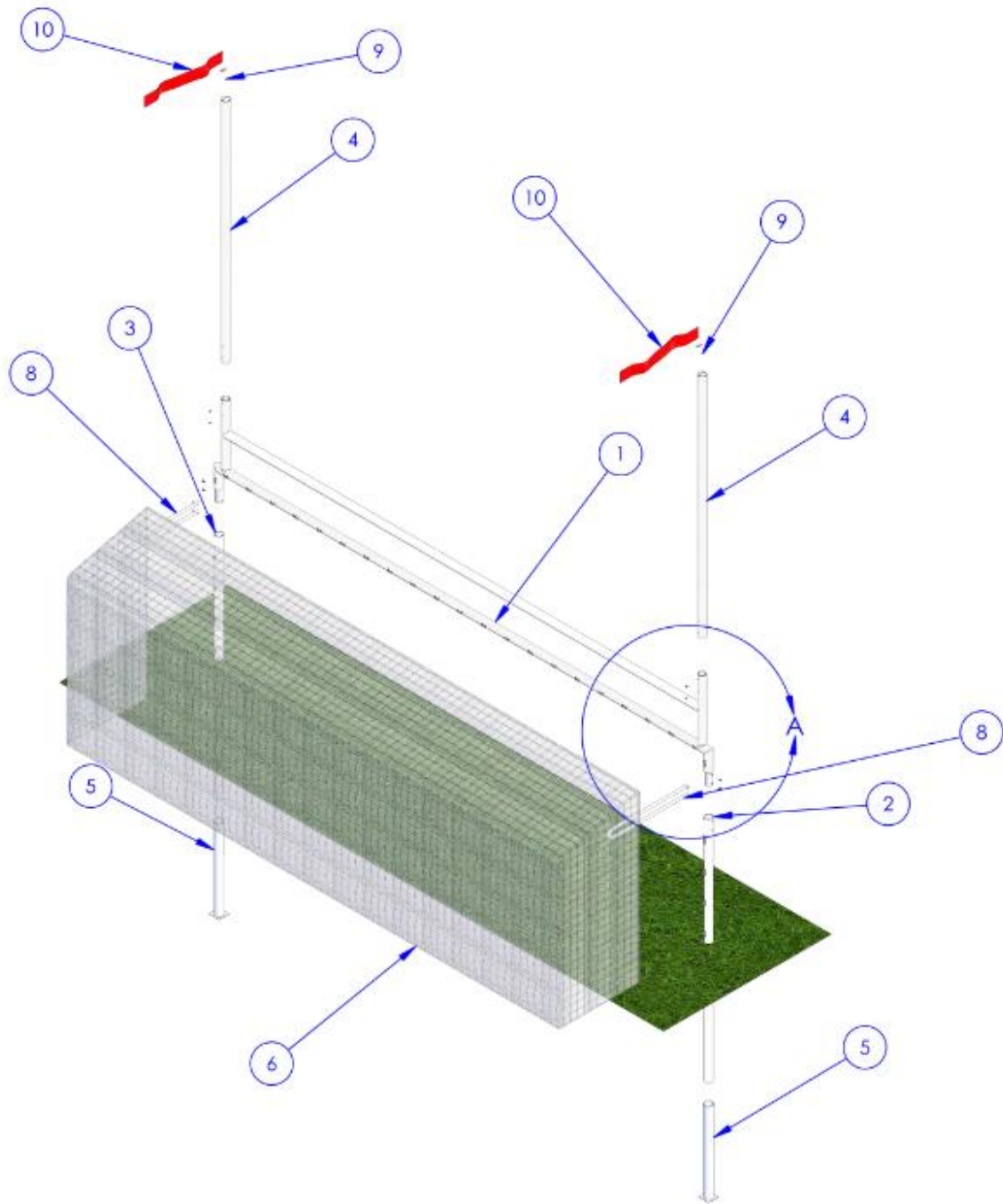


**Figure 1-Ground Sleeve Location**

2. Excavate hole for footing and set a concrete form. It is recommended that local applicable building codes and design drawings be referred to for exact footing dimensions as local soil conditions will vary. The foundation should be designed to withstand ASCE 7-10 (105mph with Exposure B) at a minimum.
3. Center the ground sleeves in forms securing them in a plumb and level position. Making sure that the center distance from ground sleeve to ground sleeve is 24'-4". Plumb and level accurately as this may affect assembly of the combination “H” goal at later steps.
4. Top edge of ground sleeves should be flush with top of soil in Natural Grass Construction and flush with Infill in Synthetic Infill Construction.

ITEM NO.	DESCRIPTION	QTY.
1	Crossbar	1
2	Right Bottom Upright	1
3	Left Bottom Upright	1
4	Upright Pole	2
5	Ground Sleeve	2
6	Soccer Net	1
7	(Image Only)	1
8	Net Stay	2
9	3/16" SS Spring Hook	2
10	Directional Flag	2
11	3/8-16 Serrated Flange Hex Bolt	4
12	1/4-20 Seraded Bolt	4
13	Pull-Pin	2





1. Insert Item #2 (Ground Upright RT) into Item #5 (Ground Sleeves) with the net clips facing away from the field, and the holes parallel with the end line, insert Item #3 (Ground Upright LT) into Item #5 (Ground Sleeves) with the net clips facing away from the field, and the holes parallel with the end line.

2. With 2 or more people place Item #1 (Crossbar) on top Item #2 and Item #3 (Uprights) from step #1, with the longer bar on the bottom, and the net clips facing away from the field. Using Item #11 3/8-16 SS Serrated Hex Head Bolt x 1" long. Hand tighten until you have all four (4) of the bolts started and then tighten completely.
3. Attach Item #10 (Directional Flags) to the top of Item #4 (Uprights), with Item #9 (3/16" SS Spring Hooks).
4. With 2 or more people take Item #4 (Uprights) and slide them down on top of Item #1 (Crossbar) from step 2. Align the holes of Item #4 (Uprights) with the holes on Item #1 (Crossbar), using Item #12 (1/4-20 SS Serrated Hex Head Bolt x 3/4" long). Bolt each hole with the bolt. Hand tighten until you have all four (4) of the bolts started and then tighten completely.
5. Insert the open ends of Item #8 (Net Stays) into the Appropriate spots on the back of Item #2 and Item #3 (Ground Uprights). Securing into place with Item #13 (Pull Pins) 2 on each side.
6. Install Item #7 (Net) using the pre-attached net clips on the back of Item #1 (Crossbar), Item #2 and Item #3 (Ground Uprights), starting in middle and working out from the center of the crossbar and down the uprights.
7. Assembly of the Combination "H" Style High School Football/Soccer Goal is complete.

## **REPLACEMENT PARTS**

Contact Sportsfield Specialties Customer Service at 1-888-975-3343 for replacement hardware.



Sportsfield Specialties, Inc.  
P.O. Box 231  
41155 State Highway 10  
Delhi, N.Y. 13753  
Phone: 888-975-3343  
Fax: 607-746-8911  
[www.sportsfieldspecialties.com](http://www.sportsfieldspecialties.com)