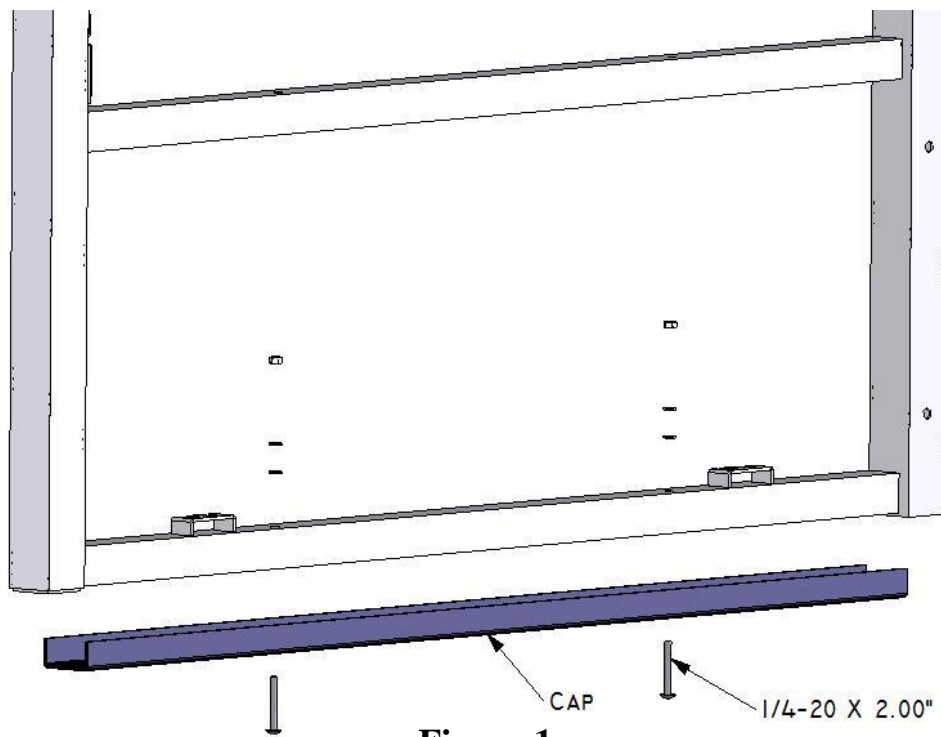




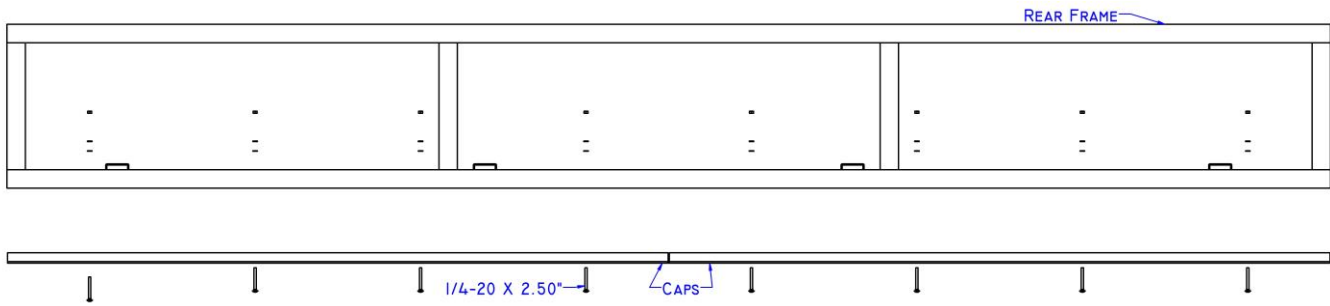
## **Hardware Parts List:**

- (4) 3/8-16 X .75 Hex Head Bolt
- (4) 3/8-16 x 5.00" hex head bolt
- (12) 3/8" Flat Washer
- (8) 3/8" Lock Washer
- (8) 1/4-20 X 2.00" Carriage Bolt
- (16) 1/4-20 X 2.50" Carriage Bolt
- (24) 1/4" Flat Washer
- (24) 1/4" Lock Washer
- (24) 1/4-20 Hex Nut
- (1) Nylon Net Strap

1. Begin by assembling the lower side panel caps using (2) 1/4-20 X 2.00" carriage bolts, (2) flat washers, (2) lock washers, and (2) 1/4-20 hex nuts to the each side frames (Fig. 1). (Side panel caps are interchangeable top to bottom, and side to side) The caps need to be assembled so that the outside lip is tight to the frame and there is room on the inside for the board panel.

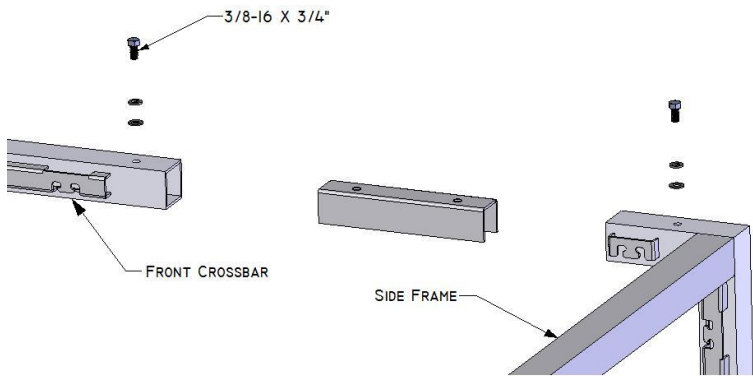


2. Continue assembling the lower rear panel caps using (8) 1/4-20 X 2.50" carriage bolts, (8) flat washers, (8) lock washers, and (8) 1/4-20 hex nuts to the rear frame (Fig. 2). The rear bottom caps are the longer caps containing (4) square holes and (1) round hole which align with the hole in the rear frame for mounting the optional clamp plate. The caps need to be assembled so that the outside lip is tight to the frame and there is room on the inside for the poly board panel. Note the clip orientation to the outside (Fig. 5&6).

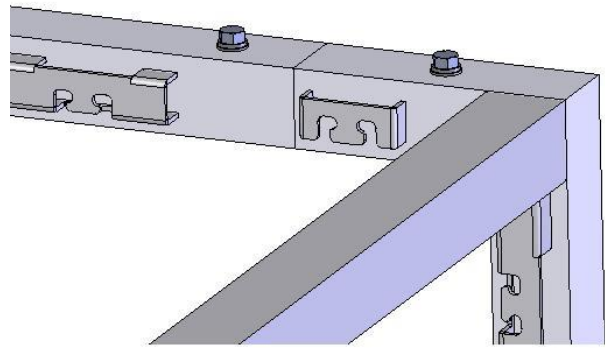


**Figure 2**

3. Assemble the front crossbar to the left and right side frames. Lay out the crossbar along with the sides making sure that the clips are as shown (Fig. 3).



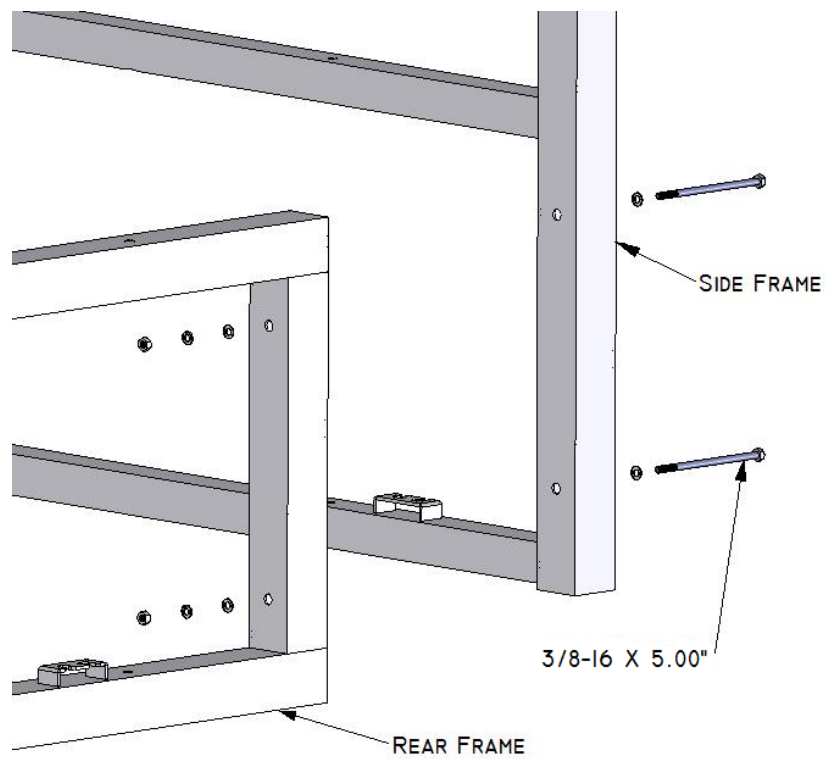
**Figure 3**



**Figure 4**

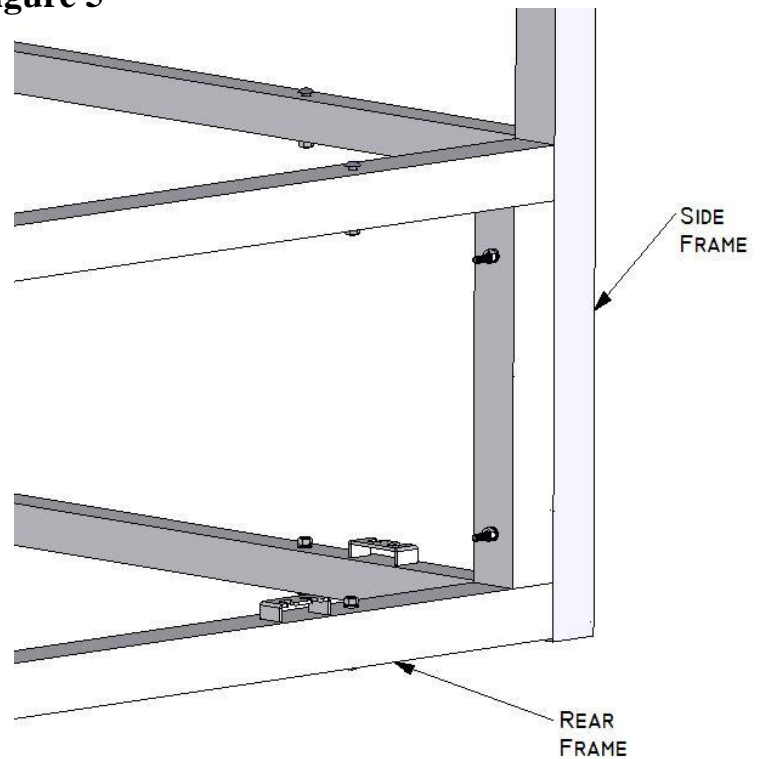
4. Using (2) 3/8-16 X 3/4" bolts, (2) 3/8" lock washers, and (2) 3/8" flat washers, attach the crossbars to the side frames (Fig. 3&4). **Note: Do not tighten hardware until all bolts are in place.** (Repeat in all four corners.)

5. Locate and place rear frame into location as shown (Fig. 5).



**Figure 5**

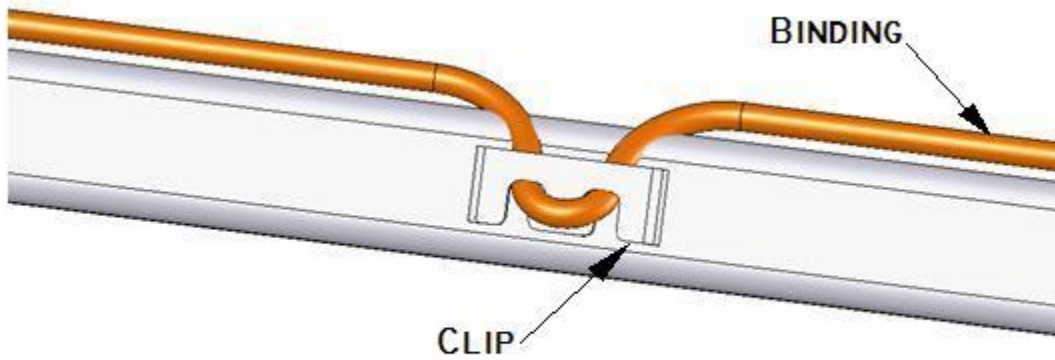
6. Using (2) 3/8-16 X 5" bolts, (2) lock washers, and (4) flat Washers, bolt the rear frame to each Side frame (Fig. 6).



**Figure 6**

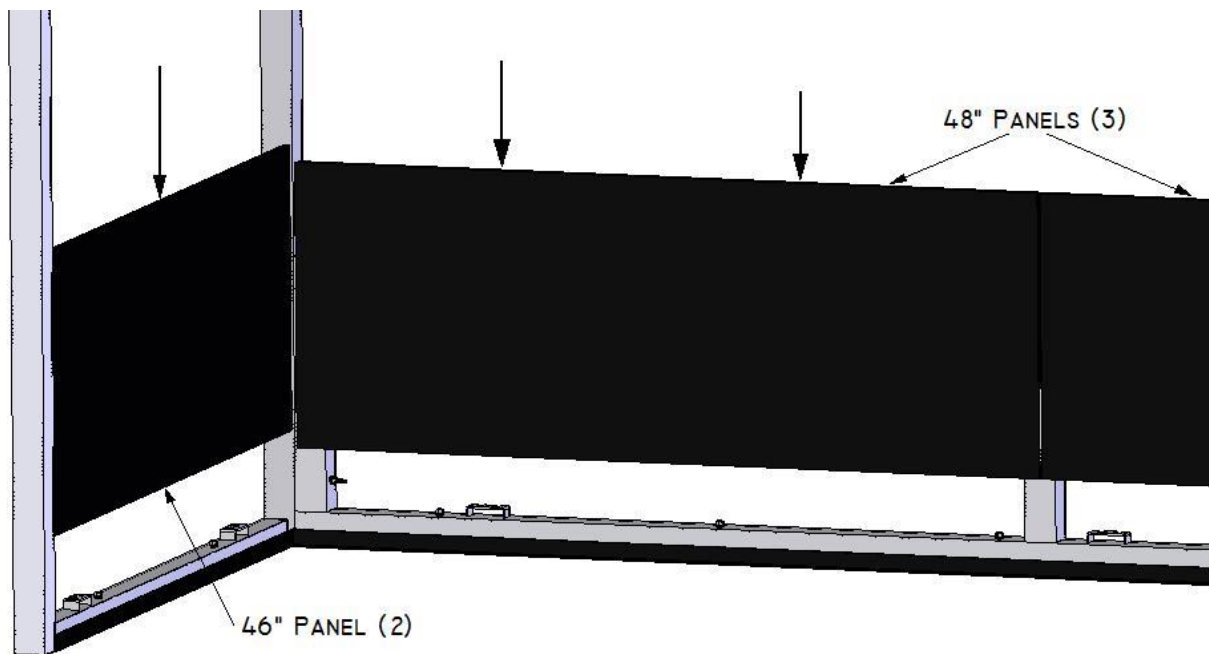
7. At this point all bolts can be tightened.

8. With the goal structure now fully assembled, the next step is to attach the net to the goal. The net can be put into location with the binding in the top corners. On either side of the front crossbar, begin by attaching the net to the clips along the crossbar. The net is attached by first pushing the outer binding through the clip, then securing it in the groove (Fig. 7). Move along the crossbar attaching the net to every clip. Next, work down both sides, and back around the bottom.



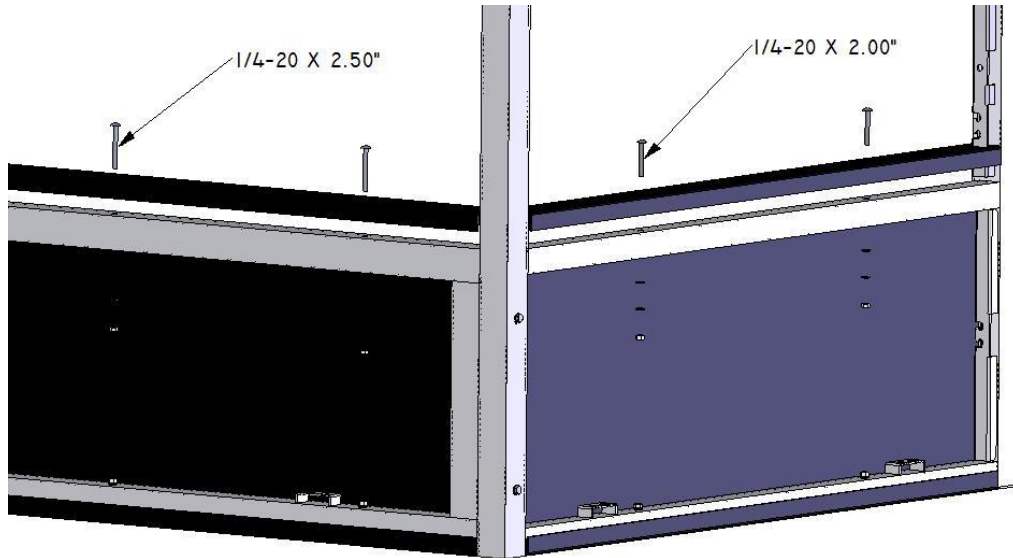
**Figure 7**

9. Now that you have the net in place you can install the panels. There are (2) 46" panels for the side and (3) 48" panels for the back. Slide the panels down into the lower caps that have already been assembled (Fig. 8).



**Figure 8**

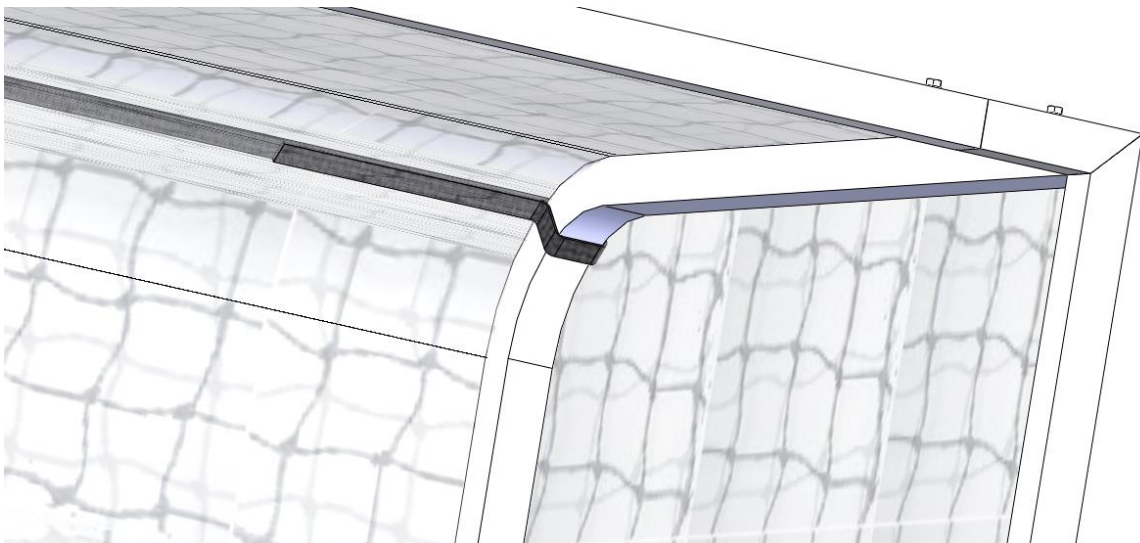
10. The upper caps can now be assembled using the (8) 1/4-20 X 2.50" carriage bolts, (8) flat washers, (8) lock washers, and (8) 1/4-20 hex nuts for the rear frames. The upper side caps assembled using (2) 1/4-20 X 2.00" carriage bolts, (2) flat washers, (2) lock washers, and (2) 1/4-20 hex nuts (Fig. 9).



**Figure 9**

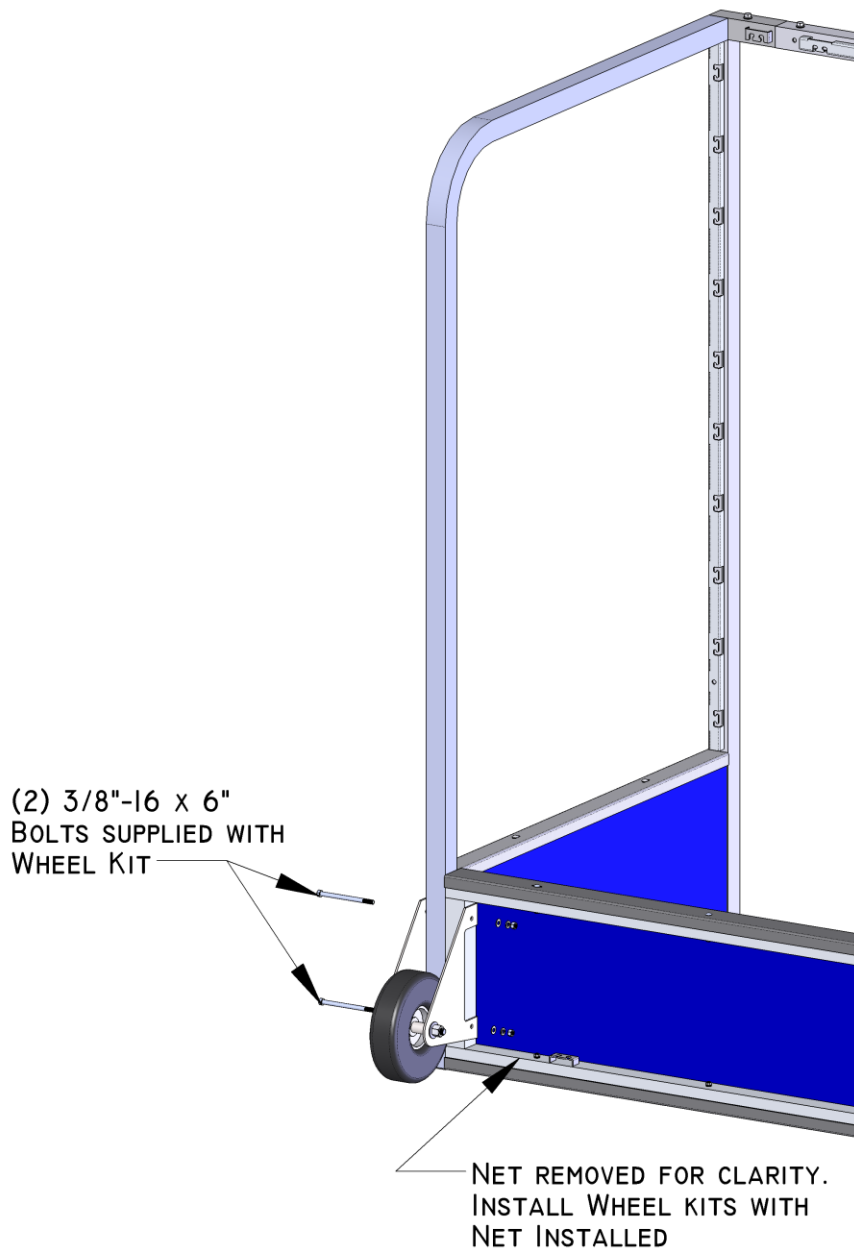
11. Verify that all fasteners are installed and tightened. Check net to ensure that it is clipped at all locations.

12. Install the goal strap from inside of the goal. Route the strap around the goal frame securing the strap to its self. Stretch the goal strap to the other side of the goal and repeat the assembly procedure.



**-Standard Installation Complete-**

## **Optional Wheel Kit:**



**Figure 10**

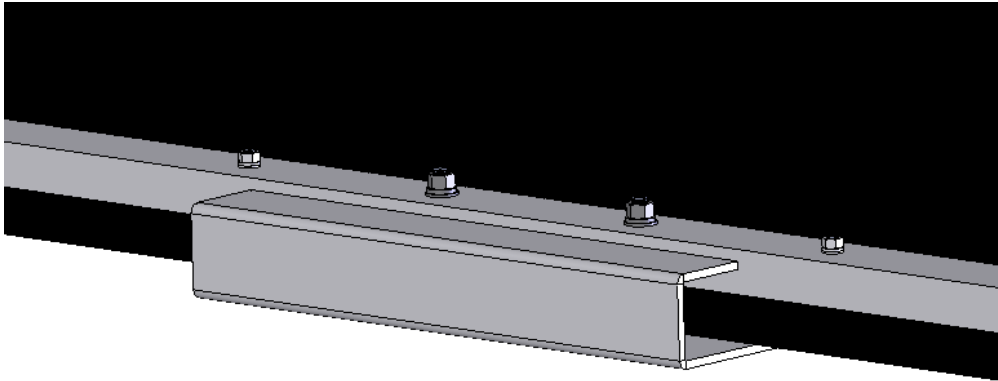
### **Install Process:**

1. After locating (2) Wheel kits, mount left and right side Wheel Kit by first removing bolts from each corner of Field Hockey Goal and position Wheel kit through Field Goal Net aligning holes with frame as shown in Figure 10; install 3/8-16 X 6.00" bolts through Wheel kits and goal frame. Install washers and nuts to secure Wheel kit to Field Hockey Goal.

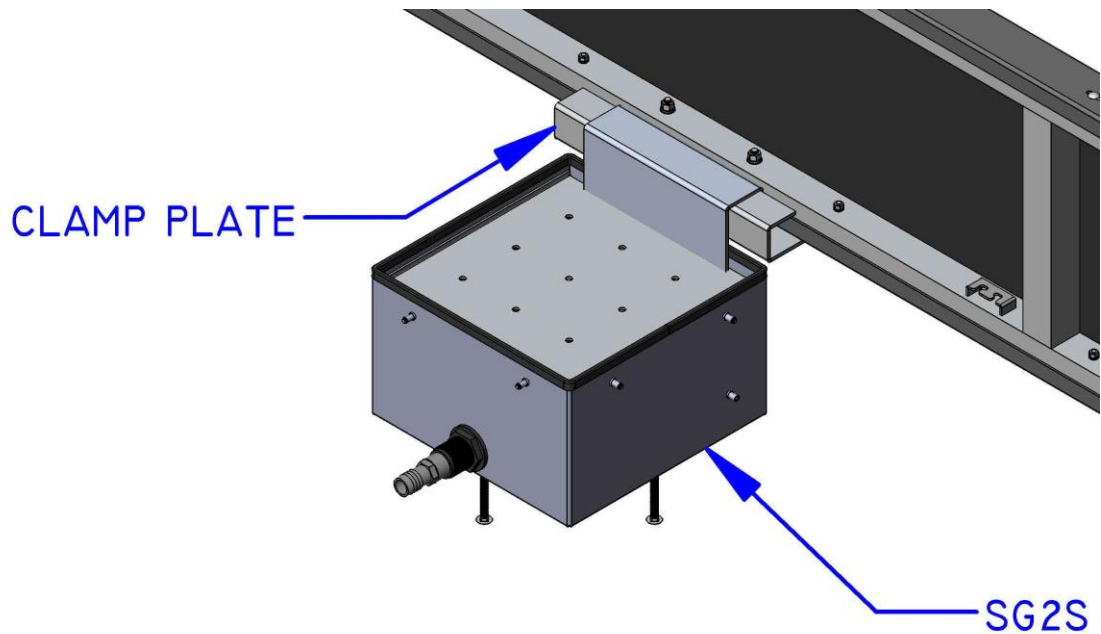
## **Optional Clamp plate:**

The clamp plate (Fig. 11) can be mounted by bolting to the bottom of the rear frame using the supplied (2) 3/8-16 X 3.00", (4) 3/8" flat washers, (2) lock washers, and (2) hex nuts (Fig. 16). The SG2S can be used with the clamp plate to hold the goal down (Fig. 12).

**Figure 11**



**Figure 12**





## **REPLACEMENT PARTS**

Contact Sportsfield Specialties Customer Service at 1-888-975-3343 for replacement hardware.



Sportsfield Specialties, Inc.  
P.O. Box 231  
41155 State Highway 10  
Delhi, N.Y. 13753  
Phone: 888-975-3343  
Fax: 607-746-8911  
[www.sportsfieldspecialties.com](http://www.sportsfieldspecialties.com)