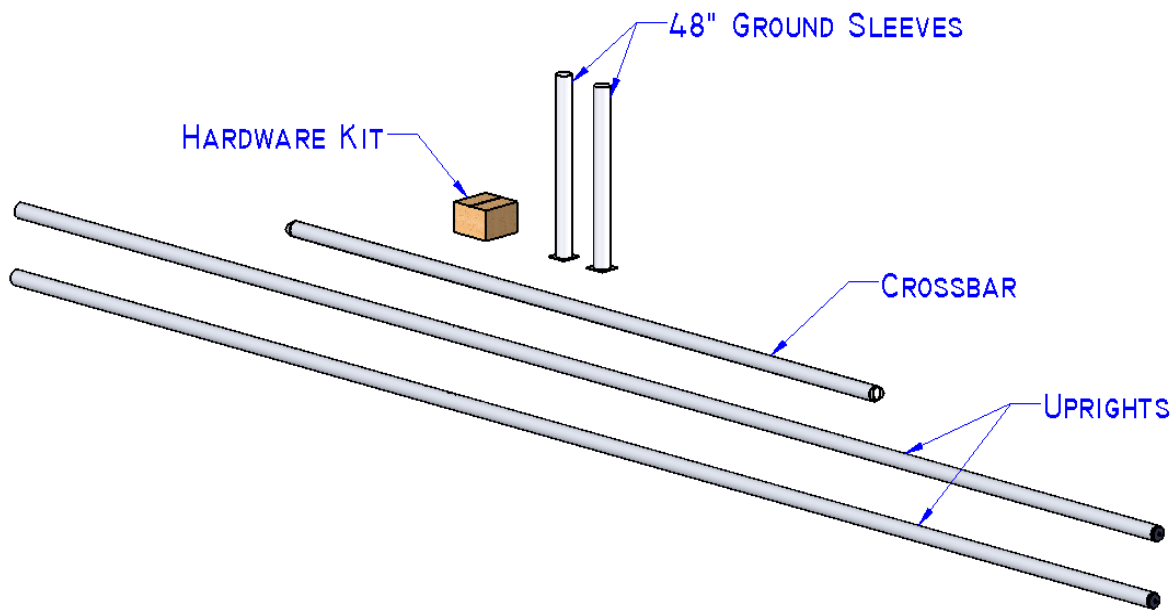




## H-Style Goal Post with Ground Sleeve Installation Instructions

Optional RGAFIT and RGAFNG included

**GPH20COL, GPH30COL, GPH20HS, GPH30HS  
(GP4750, GP4753, GP4950, & GP4953**

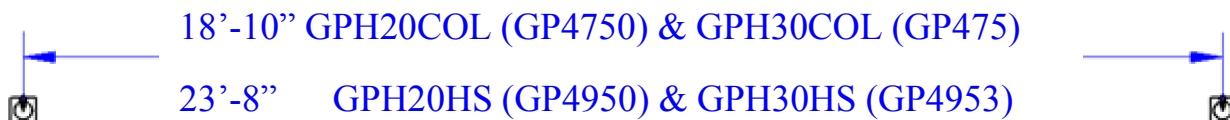


### Hardware Kit Parts List

- Bag #1 - (4) 3/8-16 Stainless Steel Hex Head Bolt 5" Long
- Bag #2 - (4) 3/8 Stainless Steel Flat Washers
- Bag #3 - (4) 3/8 Stainless Steel Lock Washers
- Bag #4 - (2) Cap for 4" Ground Sleeve  
(2) Risers for optional RGAFIT / RGAFNG
- Bag #5 - (2) Directional Flags with Spring Snaps

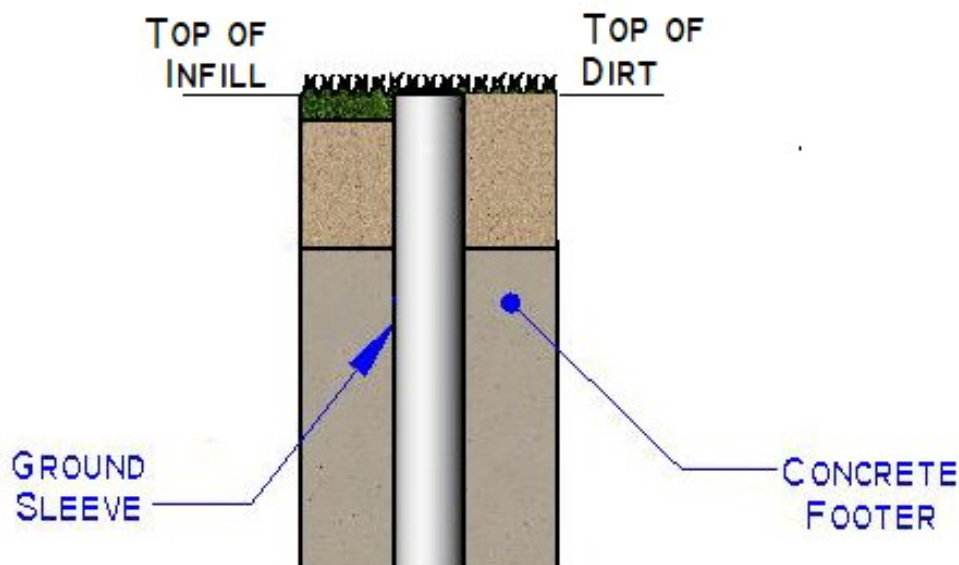
## Foundation and Ground Sleeve Installation

1. Locate goal ground sleeve center position. *(Using measurements from Figure 1)*



**Figure 1 - Ground Sleeve Location**

2. Excavate hole for footing and set a concrete form. It is recommended that local applicable building codes and design drawings be referred to for exact footing dimensions as local soil conditions will vary. The foundation should be designed to withstand ASCE 7-10 (105mph with Exposure B) at a minimum.
3. Center the ground sleeves in forms securing them in a plumb and level position. Verify that the center to center distance from ground sleeve to ground sleeve is per Figure 1. Accurate placement of ground sleeves is critical as this may affect assembly of the goal post in later steps. Top edge of ground sleeves should be flush with finish grade top of dirt for natural grass and top of infill for synthetic fields.



### **Note:**

See sheet 5, ground sleeve placement for optional RGAFIT And RGAFNG installation.

## Installing the H-Style Football Goal

| ITEM NO. | QTY. | DESCRIPTION                          | MATERIAL        |
|----------|------|--------------------------------------|-----------------|
| 1        | 1    | CROSSBAR, FOOTBALL GOAL              | ALUMINUM        |
| 2        | 2    | UPRIGHT, GOAL                        | ALUMINUM        |
| 3        | 2    | GROUND SLEEVE, NO BOLT               | ALUMINUM        |
| 4        | 2    | 3/8 S.S. FLAT WASHER                 | STAINLESS STEEL |
| 5        | 2    | 3/8-16 S.S. LOCK WASHER              | STAINLESS STEEL |
| 6        | 2    | 3/8-16 x 5.00" HEX HEAD BOLT, 304 SS | STAINLESS STEEL |
| 7        | 2    | 3/16" SPRING HOOK, NO EYE, 304 SS    | STAINLESS STEEL |
| 8        | 2    | DIRECTIONAL FLAG                     | FIBER           |

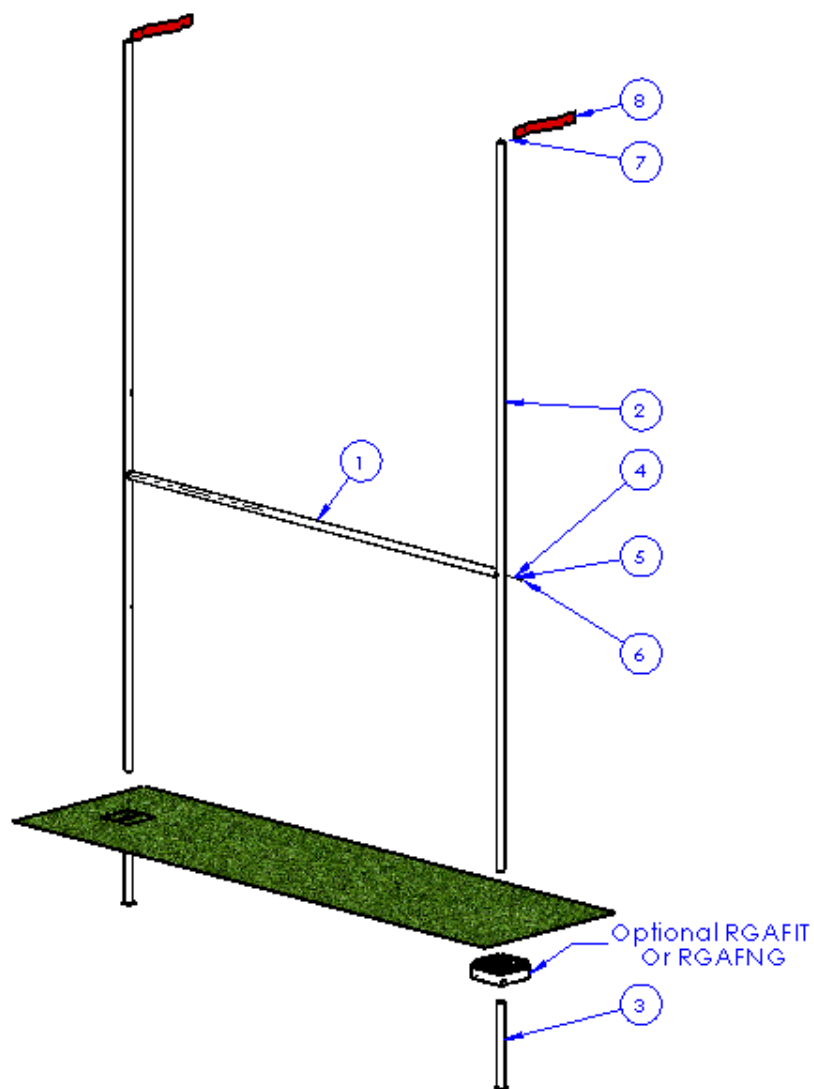


Figure 2

1. Install the directional flags onto the upright (See Figure 2) using the hardware called out in (Bag #3).

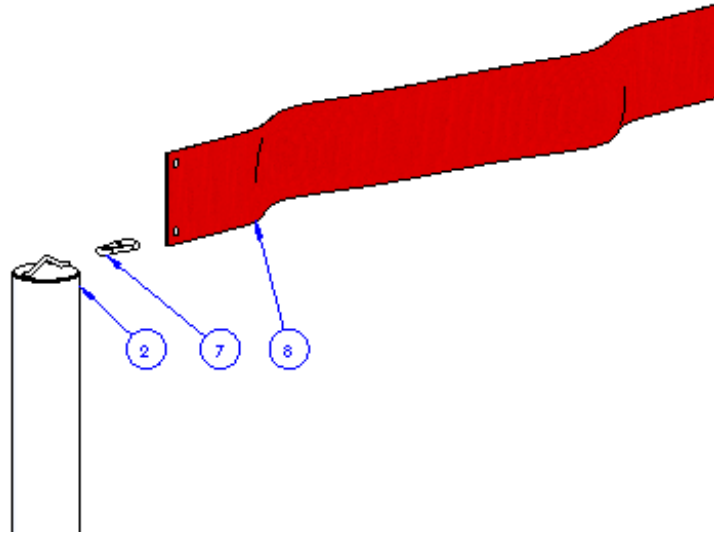


Figure 2

2. Insert Item #2 (Upright) into Item #3 (ground sleeve), with holes running parallel with the end line.
3. With 2 or more people, put Item #1 (Goal Crossbar) Between Uprights from step 1, aligning holes and using (1) of Item #6 (3/8-16 S.S. Hex Head Bolt x 5" long), Item #4 (3/8 S.S. Flat Washer), and Item #5 (3/8 S.S. Lock Washer) for each side. Hand-tighten, till you get both sides started, then tighten completely (Figure 3).

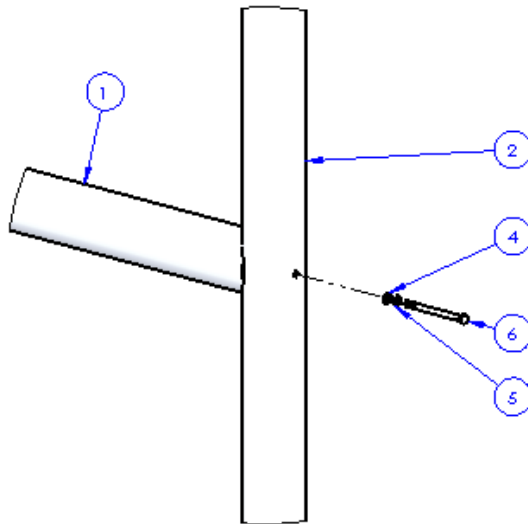


Figure 3

4. Assembly of H-Style Football goal complete.

## Optional RGAFIT

Access Frame Kit Synthetic Infill Field Application (Two Per Goal)

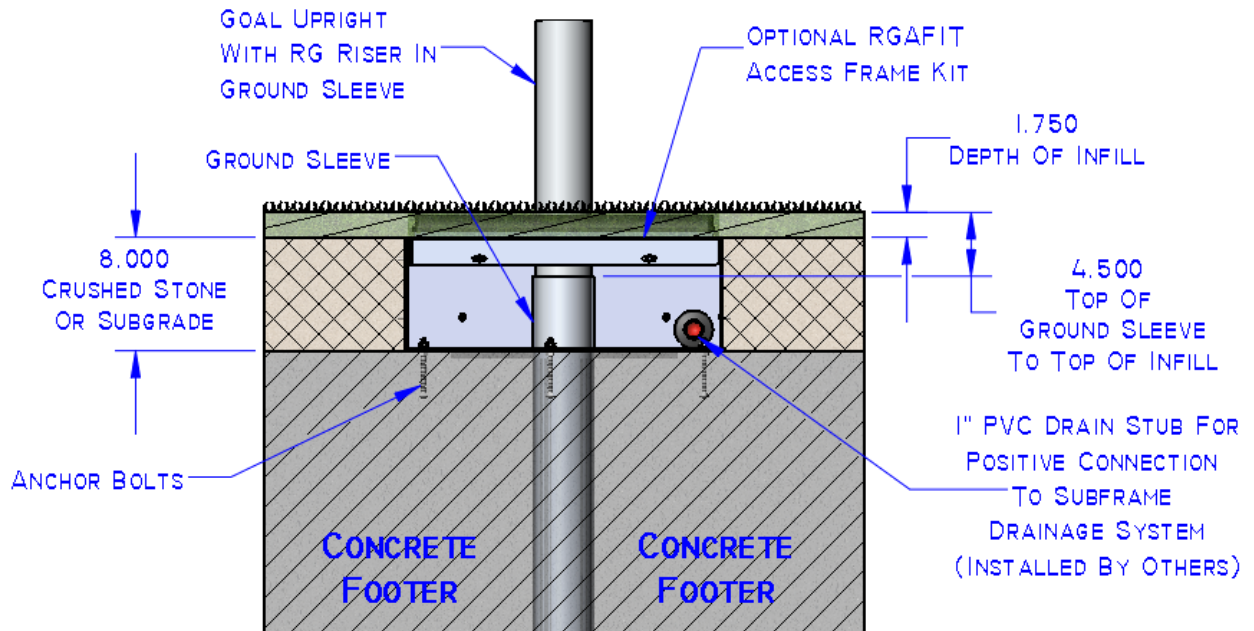


Figure 4

## Optional RGAFNG

Access Frame Kit Natural Grass Field Application (Two Per Goal)

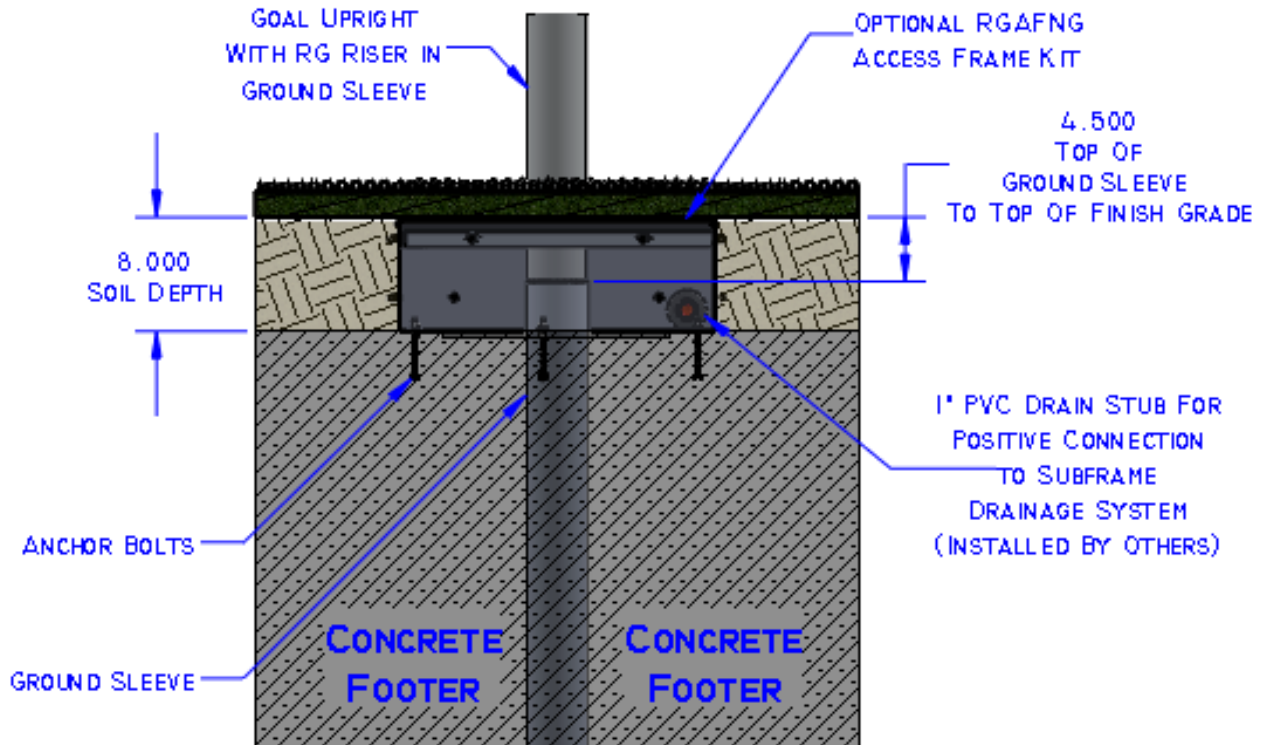


Figure 5

## RGAFIT / RGAFNG Field Application Install Instructions

1. Locate goal ground sleeve center position. *(Using measurements from Figure 1)*
2. Excavate hole for footing and concrete form. It is recommended that local applicable building codes and design drawings be referred to for exact footing dimensions as local soil conditions will vary. The foundation should be designed to withstand ASCE 7-10 (105mph with Exposure B) at a minimum.
3. Center the ground sleeves in forms securing them in a plumb and level position. Make sure that the center distance from ground sleeve to ground sleeve is per Figure 1. Plumb and level accurately as this may affect assembly of the goal post in later steps. Set top edge of the ground sleeves 4.500” from top of infill for synthetic field and 4.500” from top edge of ground sleeves to finish grade for Natural Grass applications. Center access frames to ground sleeves.
4. Once the optional RGAFIT / RGAFNG access frame kit is installed the required goal post upright RG-Riser must be used in the ground sleeve to position the goal to the correct height from finish grade to top height of goal crossbar.
5. Optional full cover GPAFITC (Synthetic infill) or GPAFNGC (Natural Grass) is available when goal is removed from field.

## **REPLACEMENT PARTS**

Contact Sportsfield Specialties Customer Service at 1-888-975-3343 for replacement hardware.



Sportsfield Specialties, Inc.  
P.O. Box 231 41155  
State Highway 10  
Delhi, N.Y. 13753  
Phone: 888-975-3343  
Fax: 607-746-8911  
[www.sportsfieldspecialties.com](http://www.sportsfieldspecialties.com)