



Football Goal Post Ball Safety System with 8" Diameter, Poles Installation Instructions

FSNS85040 (GPFSNS85040P), FSNS85050 (GPFSNS85050P)

A Football Goal Post Ball Safety System consists of one net held up by hardware at various pole locations such that the net is at a desired height.

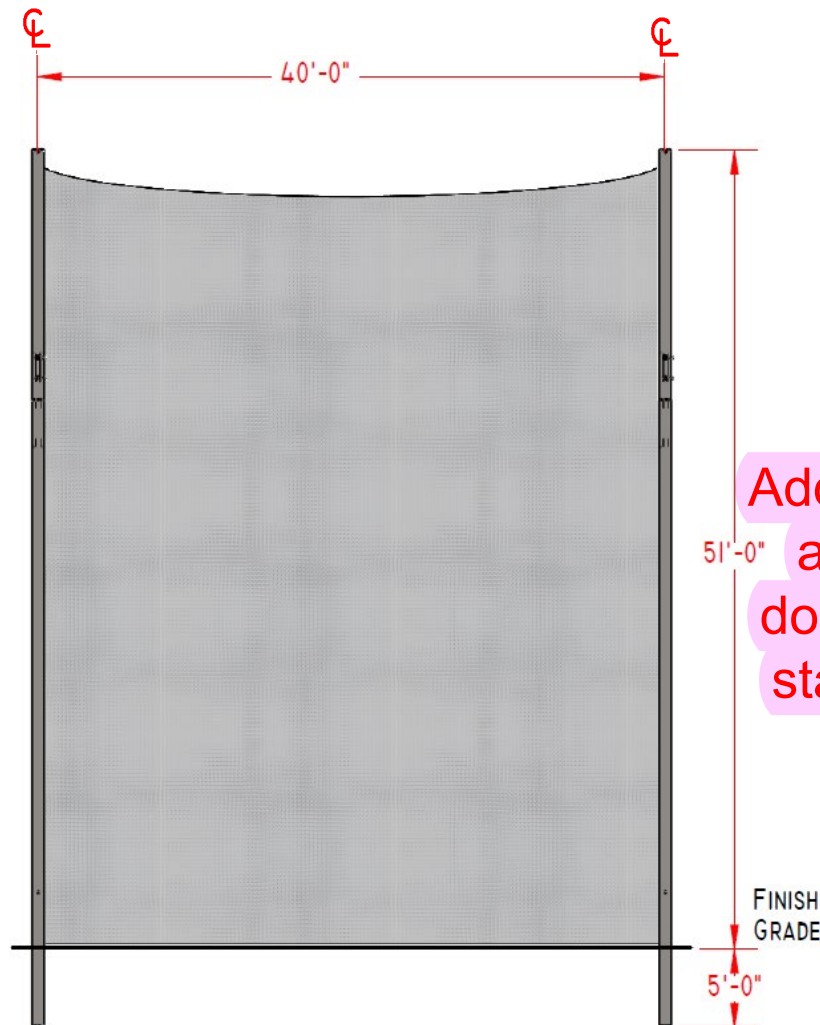


Figure 1 – Single Football Goal Post Ball Safety System (Sizes can be customized)

Ground Sleeve Install

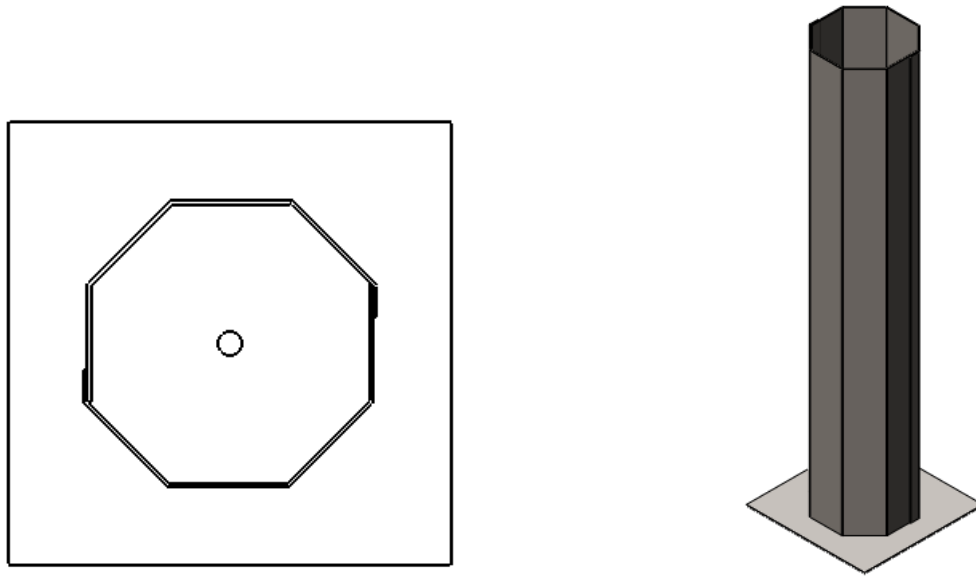


Figure 2 - Ground Sleeve

1. Mark the locations of the ground sleeves on the field. Being sure to match the center distance to the desired system.
2. Excavate holes for foundations and set the concrete forms. If the foundation is not designed to local applicable codes and a site specific soils report, the Cut Sheet has a table listing the minimum axial, shear, torsion & moment forces required for the foundation design.

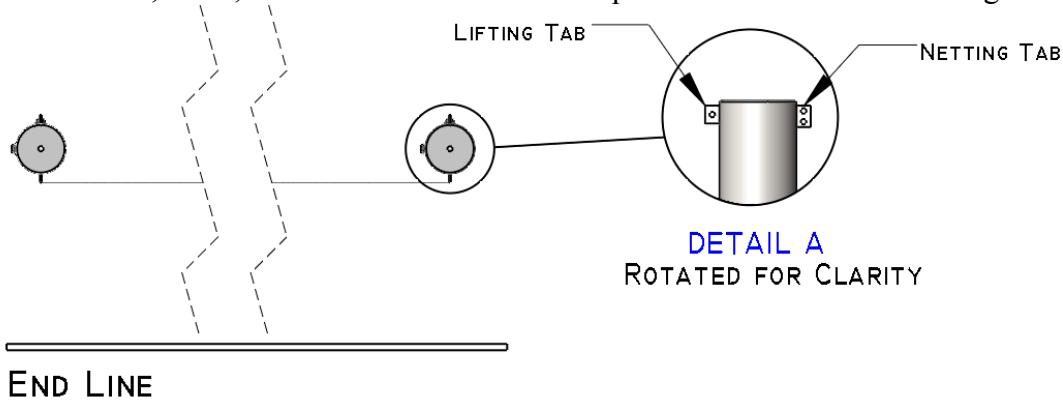


Figure 3

3. Center the ground sleeve in the form and secure it in a plumb and level position. The top of the ground sleeve should be set according to the site plans (Generally level with Finish Grade).
4. Pour concrete foundation to the top of the sleeve. Allow concrete to adequately cure.
5. Caulk all around the top of the ground sleeve, using backer rod where needed to prevent the caulk from falling into the ground sleeve.

POLE ASSEMBLY

1. Slide Top Pole onto Lower Pole, using lifting tabs, aligning bolt holes in pipe.
2. Install all (4) 1” bolts with Flat & Lock Washers, finger tight as pictured in Figure 4.
3. Tighten all bolts (500ft/lbs.) maintaining alignment of pole sections.

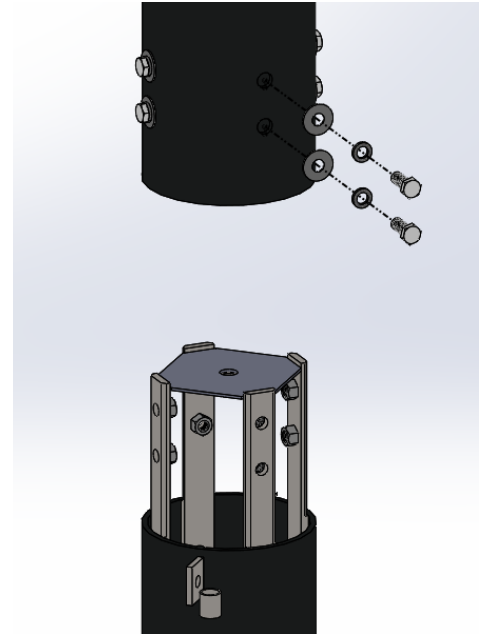


Figure 4

UPRIGHT POLE INSTALL

1. Using a Large Lift, set the assembled poles into the ground sleeves with the Netting tab toward the field of play, Perpendicular to the End Line (Figure 2).
2. Tighten the bolts in each ground sleeve to align the poles vertically in both planes, and lock in position.
3. Tighten all jamb nuts to lock alignment bolts in position.

NET PREPARATION

Each run of a ball safety system has one (1) net and each net has the following hardware:

Table 1 - NET HARDWARE

Quantity	Part Number	Description
1 lengths of wire cable that are “length of net plus 8 feet” long	PURCHP-0048 (113-VGACB187/250-0050)	Galvanized Wire Cable, Black Vinyl Coated
At least 2 times the “length of net”	CT8120B (113-6JU15)	8" Black Zip Ties
4	PURCHP-0569 (113-115-WRCDF0187)	3/16" Gal. Wire Cable Clip
2	PURCHP-0010 (113-211160)	1/4" HD Wire Rope Thimble

Figure 5 illustrates the use of the net hardware.

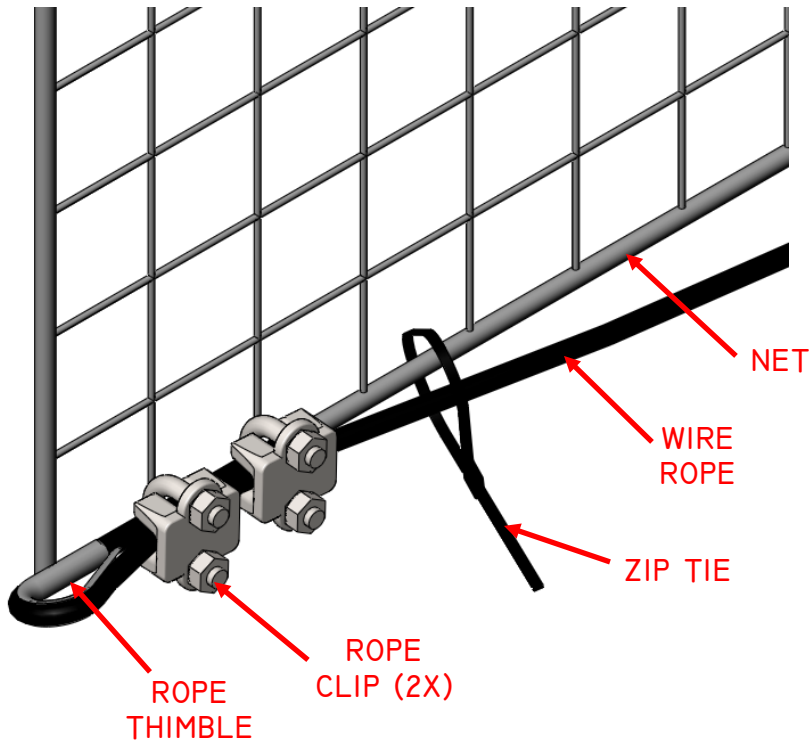


Figure 5 - Wire Rope to Bottom of Net Assembly



Figure 6 - Wire Cable Loop at End of Net

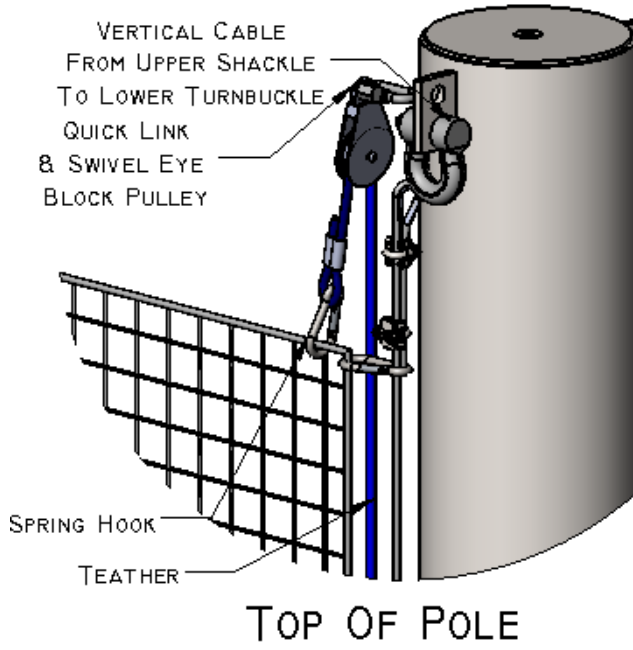
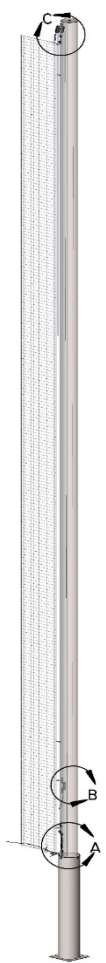
1. At one end of the wire cable, strip 16” of plastic coating, fold in the middle, and make a loop to tightly fit around the rope thimble.
2. Maintain the loop by clamping the wire cable with the two cable clips tightly so that the thimble does not fall out as shown in Figure 6.
3. Weave the cable through the square mesh of the net approximately every 6-8”. There are enough zip ties to fasten them approximately every foot along the net. Using the zip ties, fasten the wire cable to the bottom net binding. The wire cable should run the entire length of the net and be pulled taut.
4. Repeat steps 1 and 2 for the other end of the wire cable.

POLE HARDWARE

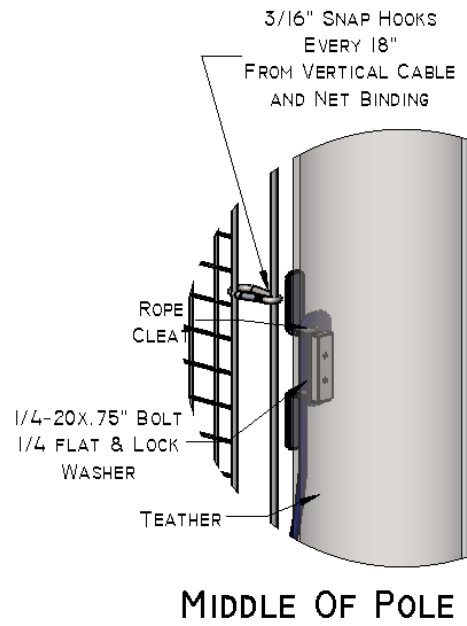
Although the number of poles vary depending on the size of the field, the quantity and type of hardware for each pole location is the same. The following table lists the hardware required at each pole location.

Table 2 - Pole Hardware

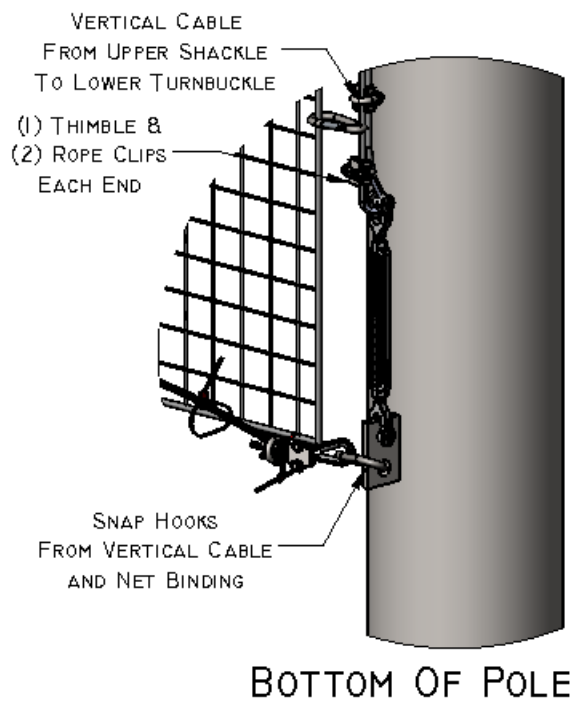
Item #	Part Number	Description	Qty Per Pole
1	PURCHP-0593 (113-2G9B187-01000)	7 x 19 Galvanized Wire Rope, Black Vinyl Coated Length of each cable Height + 8 FT	1
2	PURCHP-0097 (114-116-304-SPHK2450-187N)	3/16" Spring Hook	1 per 18" Height
3	PURCHP-0009 (113-209860)	5/16" Spring Hooks	1
4	PURCHP-0026 (113-BLOCKWR300-02548)	1/4" Swivel Eye Wire Rope Block Pulley	1
5	E-1000-0013 (Rope Cleat)	Rope Cleat (In-house with 3/16" Material)	1
6	101-HHC-0017 (101-HHC1/4-20X.75-SS)	1/4-20 x .75" hex head bolt, SS	2
7	110-FLW-0002 (110-FLW1/4-SS)	1/4-20 flat washer, SS	2
8	110-SLW-0002 (110-SLW1/4-SS)	1/4-20 lock washer, SS	2
9	TETHER-110	Tether (2 x Height + 5')	1
10	PURCHP-0038 (113-TBJJ0375X06)	3/8"x6"L, HG Jaw & Jaw Turnbuckle.	1
11	PURCHP-0014 (113-3559T47)	7/16" Galvanized Steel Shackle	1
12	PURCHP-0034 (113-QLW375)	3/8" Quick Link	1



Detail C



Detail B



Detail A

1. Insert the quick link with swivel eye pulley into the top hole at the upper tab, at the top of the pole. Tighten the hex nut of quick link onto itself. *(Detail C)*
2. Install shackle into lower tab, upper hole as pictured. *(Detail A)*
3. Attach the rope cleat by inserting the two (2) ¼” hex bolts with locking washers, and flat washers and tighten. *(Detail B)*
4. Vertical cable need to be assembled in the same manner as it was for Page 4&5 and run from the turnbuckle at the bottom to the shackle at the top.
5. Insert the non-looped end of the tether into the pulley and pull the tether until the looped end is even within a few inches from the non-looped end. Clip the 5/16” spring hook around the loop of the tether rope and the corner of the net and binding. *(Detail C)*
6. Pull on the tether to raise the net to the desired height.
7. Space the 3/16” spring hooks equally every 18” along the pole. Maintain the spring hook locations by clipping the spring hook around the vertical cable and the square mesh of the net.
8. Wrap extra Tether around Rope Cleat and Tie off.
9. Once the net is raised, hang provided laminated warning signs at both ends of netting using (4) Zip Ties on each sign.

The net must be lowered to the ground when the wind speed is forecast to exceed 60 mph and/or prior to any extreme wind events. Sportsfield Specialties, Inc. strongly recommends the removal of the net prior to exposure to winter weather, including snow and/or ice storms. Removal/Lowering of the net will mitigate any unforeseen damage to the poles, net and/or attachment hardware. Storing the net in a dry, pest free location will help extend the life of the net. Sportsfield Specialties, Inc. will not be held liable or assume responsibility for any damage to the net, poles and/or corresponding attachment hardware if the net is not removed/lowered prior to the above described wind and/or weather events.

REPLACEMENT PARTS

Contact Sportsfield Specialties Customer Service at 1-888-975-3343 for replacement hardware.



Sportsfield Specialties, Inc.

P.O. Box 231

41155 State Highway 10

Delhi, N.Y. 13753

Phone: 888-975-3343

Fax: 607-746-8911

Website: www.sportsfieldspecialties.com

Heat shrink tubing is provided at turnbuckle locations to prevent paint damage on poles and/or netting tears in high winds

Step 1

Slide the heat shrink tubing over the turnbuckle **PRIOR** to completing any cable assembly.

Step 2

After all cables are tensioned, center the heat shrink tubing over the turnbuckle.

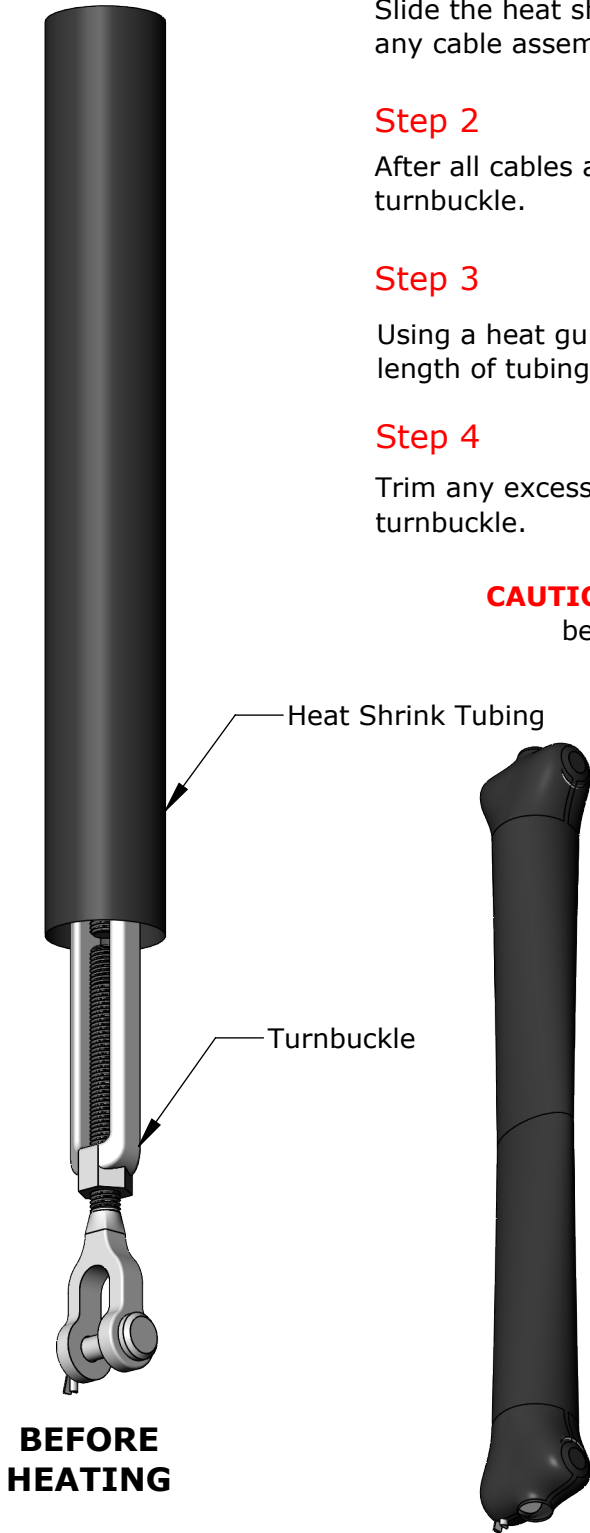
Step 3

Using a heat gun or suitable heat source, evenly apply heat over the entire length of tubing.

Step 4

Trim any excess length of heat shrink tubing beyond the end of the turnbuckle.

CAUTION: Avoid overheating the heat shrink tubing or it may become brittle or charred.



Turnbuckle Size	Heat Shrink Tubing Required
3/8" Turnbuckle	PURCHP-0884: 1-1/2" OD Tubing
1/2" Turnbuckle	PURCHP-0885: 2" OD Tubing

TITLE:
Heat Shrink Tubing Application

DWG NO:
ID-00145
SHEET 1 OF 1