



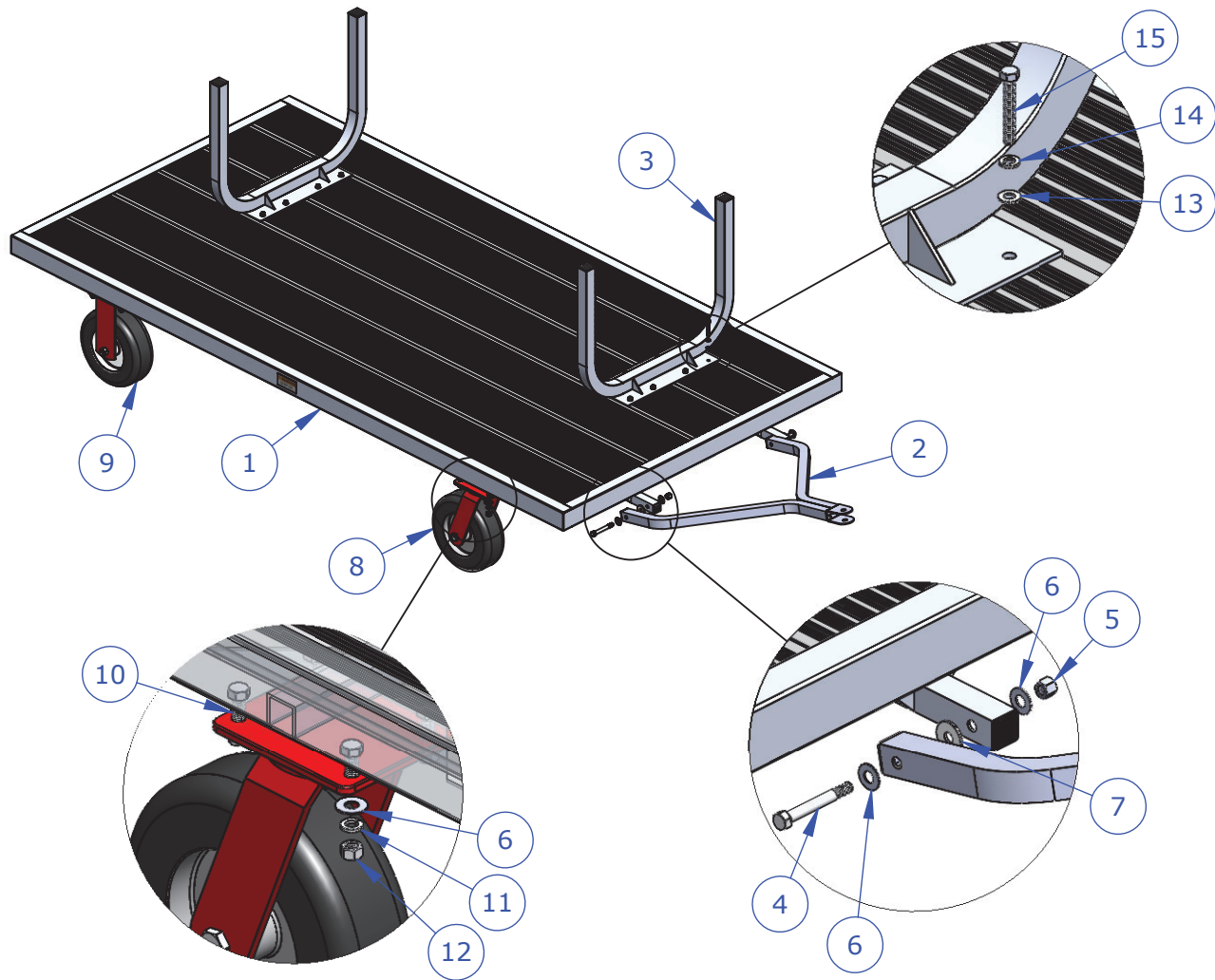
1-888-975-3343

Install Instructions

10' Ball Safety Pole Storage Cart

Product No.	Product Description
BSS210CRT	Storage Cart For 10' Ball Safety Poles/Netting

Max Capacity: (56) 10' Netting System Poles



ITEM NO.	QTY.	PART NUMBER	DESCRIPTION	ERPPARTNUMBER
1	1	TFBSS210PCART-FRAME	Cart Frame	Undefined
2	1	TFBSS210PCART-TONGUE	Pole Cart Tongue	Undefined
3	2	TFBSS210PCART-POLE CHANNEL	Pole Rack	Undefined
4	2	101-HHC1_2-13X4-SS	1/2-13 x 4.00" hex head bolt 304 SS	101-HHC-0009
5	2	107-HXN1_2-13NYLOCK-SS	1/2-13 Stainless Steel Nylock Nut	107-HXN-0002
6	20	110-FLW1_2-SS	1/2 S.S. FLAT WASHER	110-FLW-0001
7	2	114-NYL1_2X1.5X.125FLW	1/2In. ID x 1-1/2In. OD x 1/8In. thick	PURCHP-0332
8	2	114-S-7012-PR-IB	Caster, 12" Pneumatic (with Foot Brake)	Purchp-0356
9	2	114-R-7012-PR-FB-Black	Caster, 12" Rigid	PURCHP-0343
10	16	101-HHC1_2-13X1.25-SS	1/2-13 x 1.25" hex head bolt, 304 SS	101-HHC-0002
11	16	110-SLW1_2-SS	1/2 S.S. LOCK WASHER	110-SLW-0001
12	16	107-HXN1_2-13-SS	1/2-13 Stainless Steel Hex Nut	107-HXN-0003
13	16	110-FLW3_8-SS	3/8 S.S. FLAT WASHER	110-FLW-0005
14	16	110-SLW3_8-SS	3/8-16 S. S. Lock Washer	110-SLW-0006
15	16	101-HHC3_8-16X2.5-SS	3/8-16 x 2.5" Hex Head Bolt, 304 SS	101-HHC-0034

TITLE:

Ball Safety System Pole Cart

DWG NO:

ID-00288

SHEET 1 OF 1