



Excellence from Design to Installation

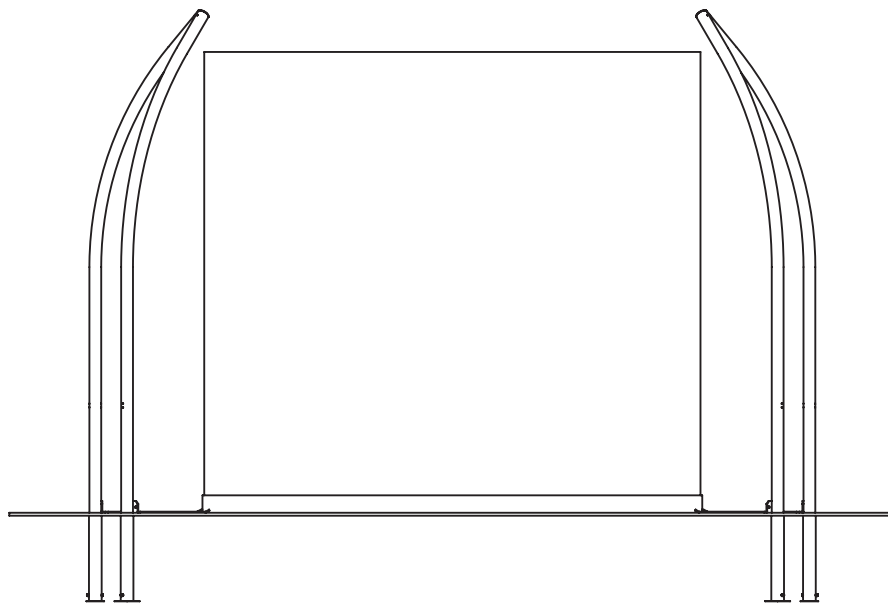
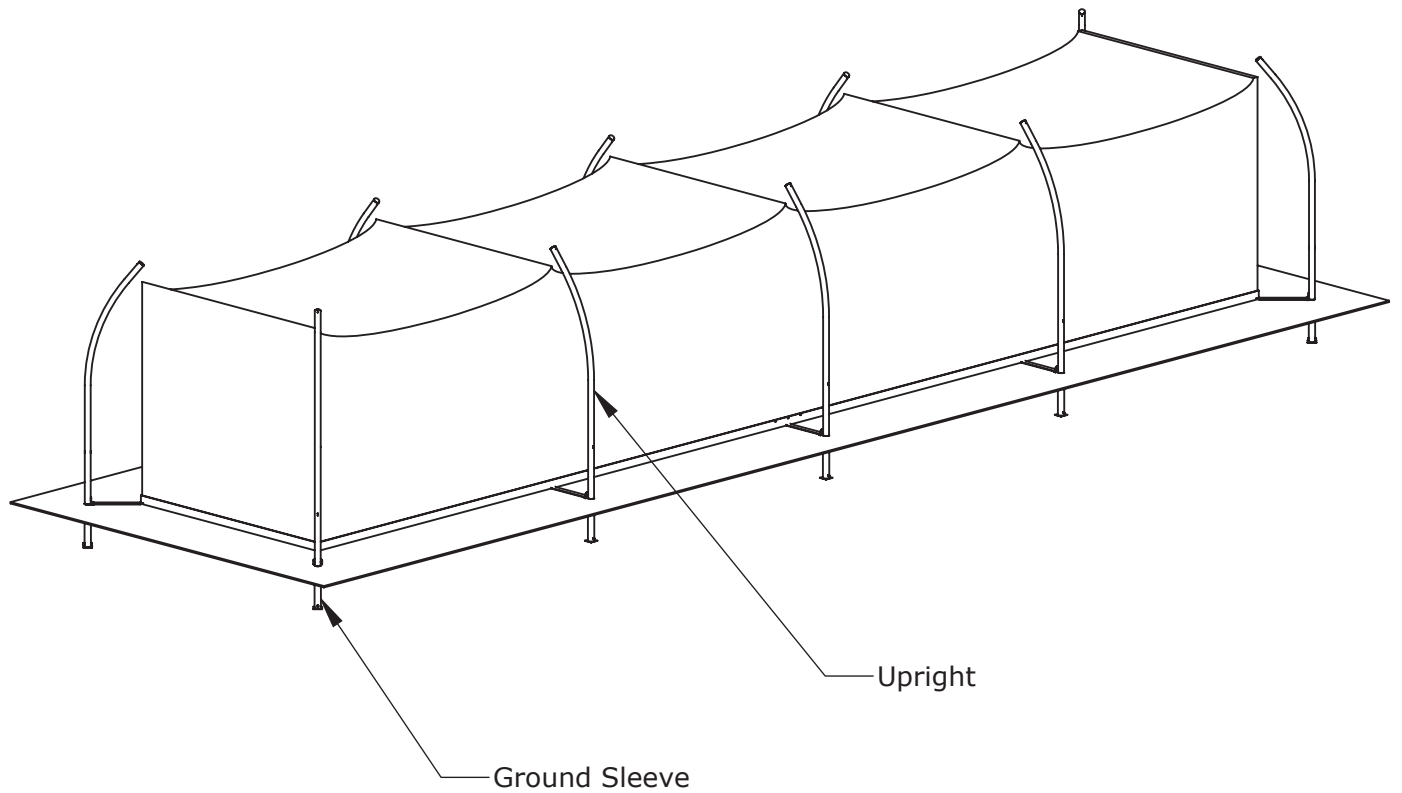
1-888-975-3343

Install Instructions

Cantilever Batting Tunnel

Product No.	Product Description
BTCB	Baseball Batting Tunnel
BTCS	Softball Batting Tunnel

System Overview.....	ID-00057
Ground Sleeve Alignment.....	ID-00052
Pulley & Tether Attachment.....	ID-00043
Rope Cleat Attachment.....	ID-00042
Extension Arm Attachment.....	ID-00041
Net Attachment.....	ID-00071
Net Assembly.....	ID-00050
Disassembly and Storage.....	ID-00058



IMPORTANT NOTE: Please refer to the appropriate batting tunnel model ground sleeve layout for proper ground sleeve placement

Model	Sport	# of Uprights	# of Ground Sleeves
BTCB	Baseball	10	10
BTCS	Softball	8	8

TITLE:

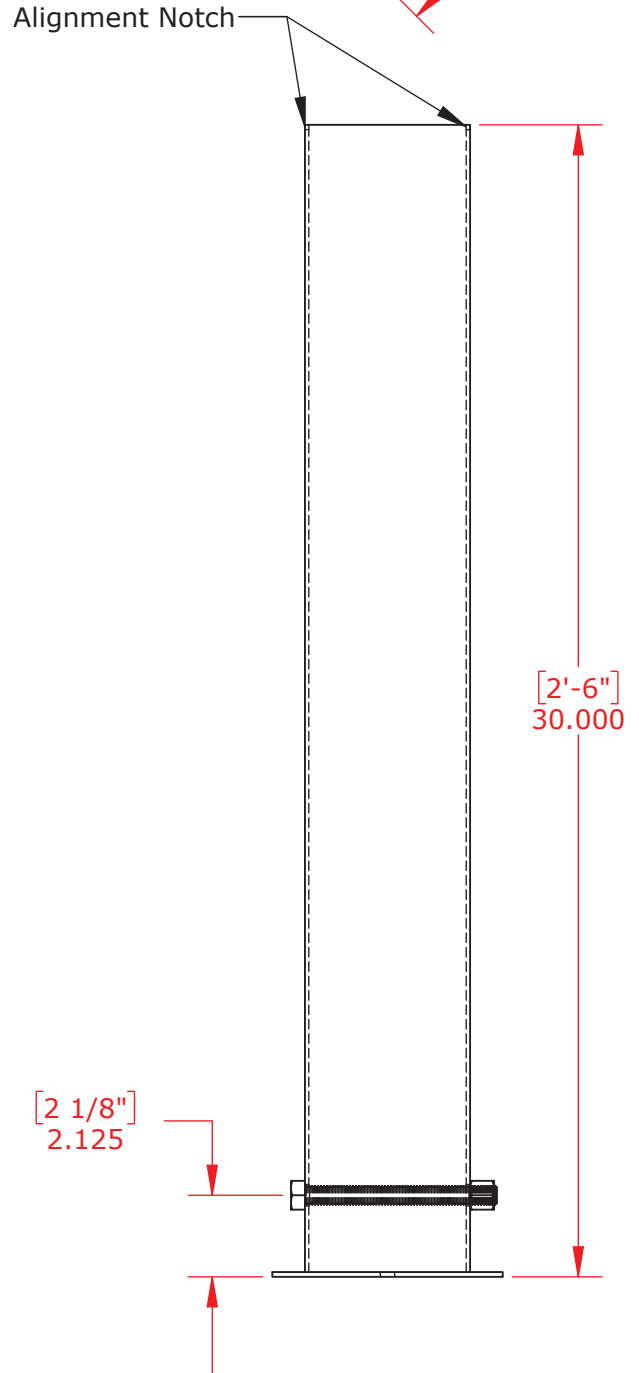
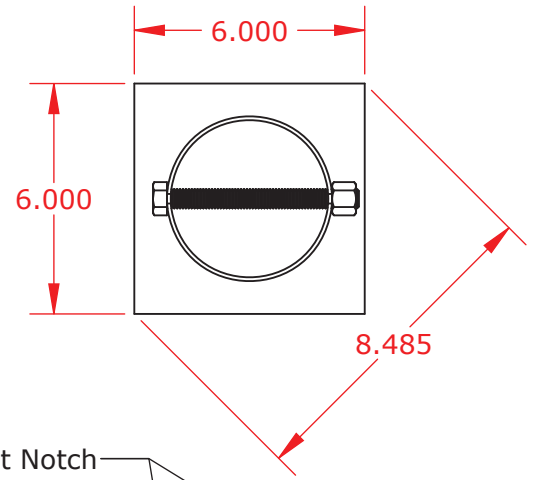
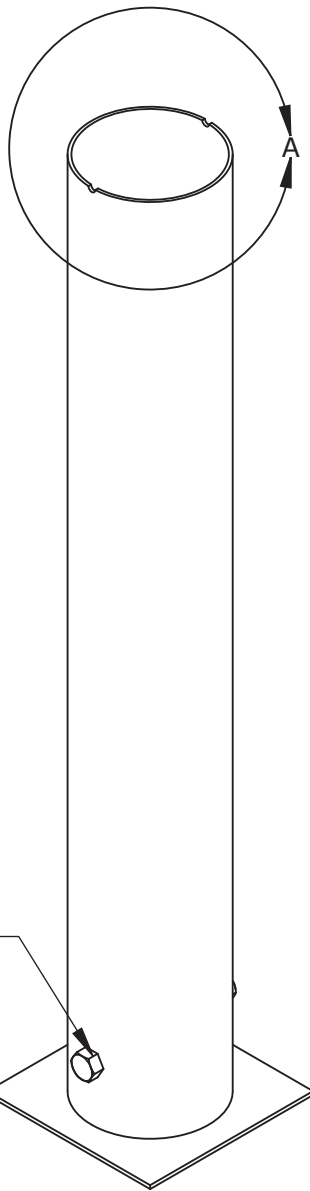
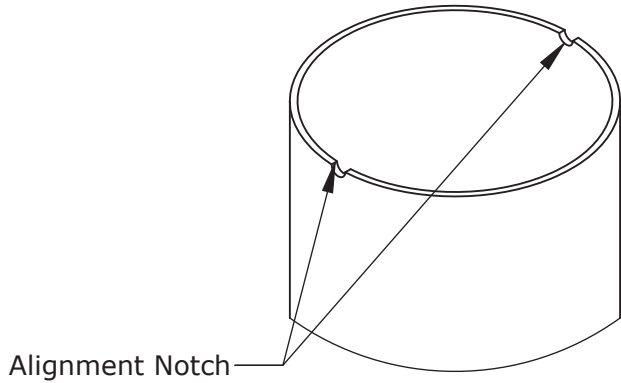
**Cantilever Batting
Tunnel Overview**

DWG NO:

ID-00057

SHEET 1 OF 1

Stop bolt/alignment notches must be installed in correct position to allow for proper orientation of upright pole



TITLE:

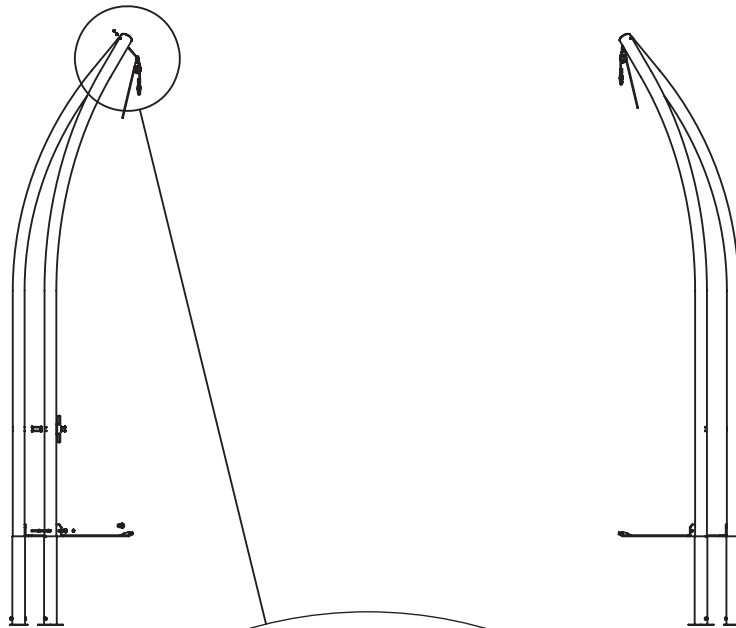
GS430 Ground Sleeve
Alignment Notch Detail

DWG NO:

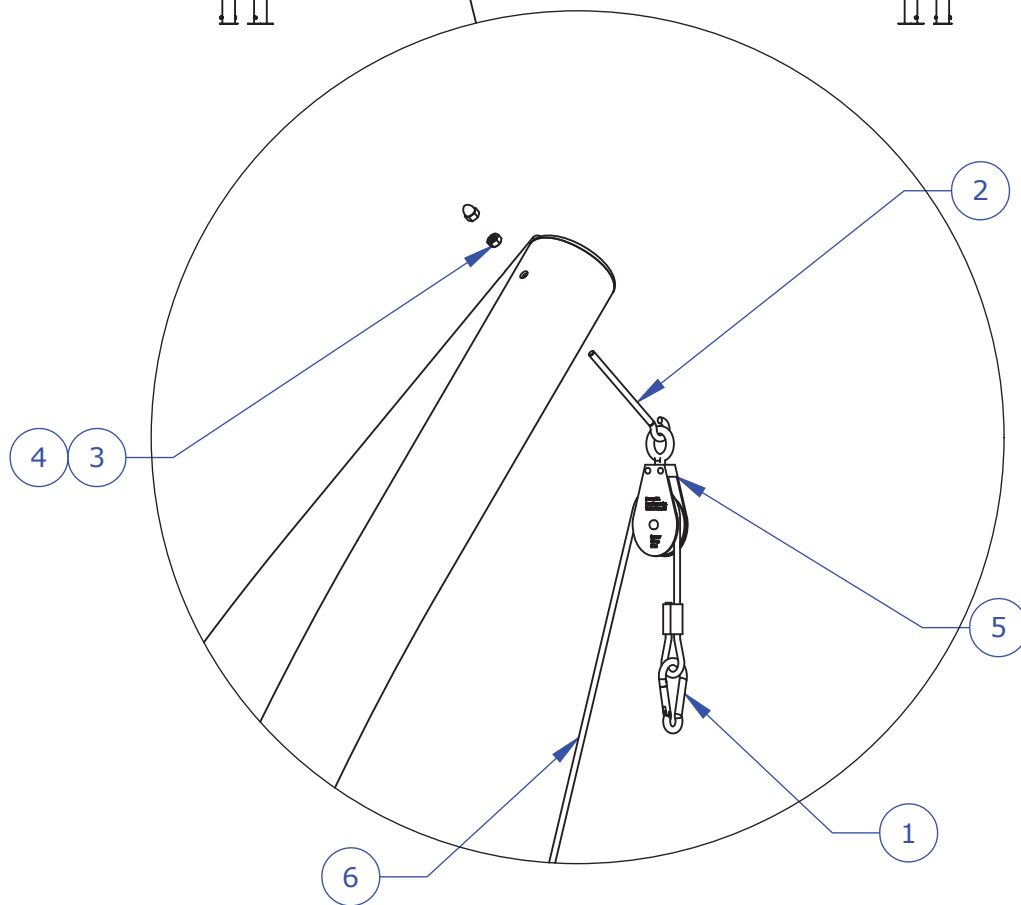
ID-00052

SHEET 1 OF 1

Note: Assemble pole hardware prior to setting pole in ground sleeve



Tether Assembly:
Run supplied tether through pulley. Tie off end at rope cleat



ITEM NO.	QTY.	DRAWING NUMBER	SAP Part Number	DESCRIPTION
1	1	113-209860	PURCHP-0009	5/16" Spring Hook
2	1	100-EYE5_16-18X4.625-OPEN-STL	100-EYE-0010	5/16-18 x 4.625" Long Open Eye Bolt
3	1	107-HXN5_16-18-SS	107-HXN-0023	5/16-18 S.S. Hex Nut
4	1	107-HXN5_16-18ACORN-HC-SS	107-HXN-0021	Nut, 5/16-18 S.S. High Crown Acorn
5	1	113-BLOCKWR300-02548	PURCHP-0026	1/4" Swivel Block Pulley
6	1	TETHER-32	TETHER-32	32' Long Tether

TITLE:

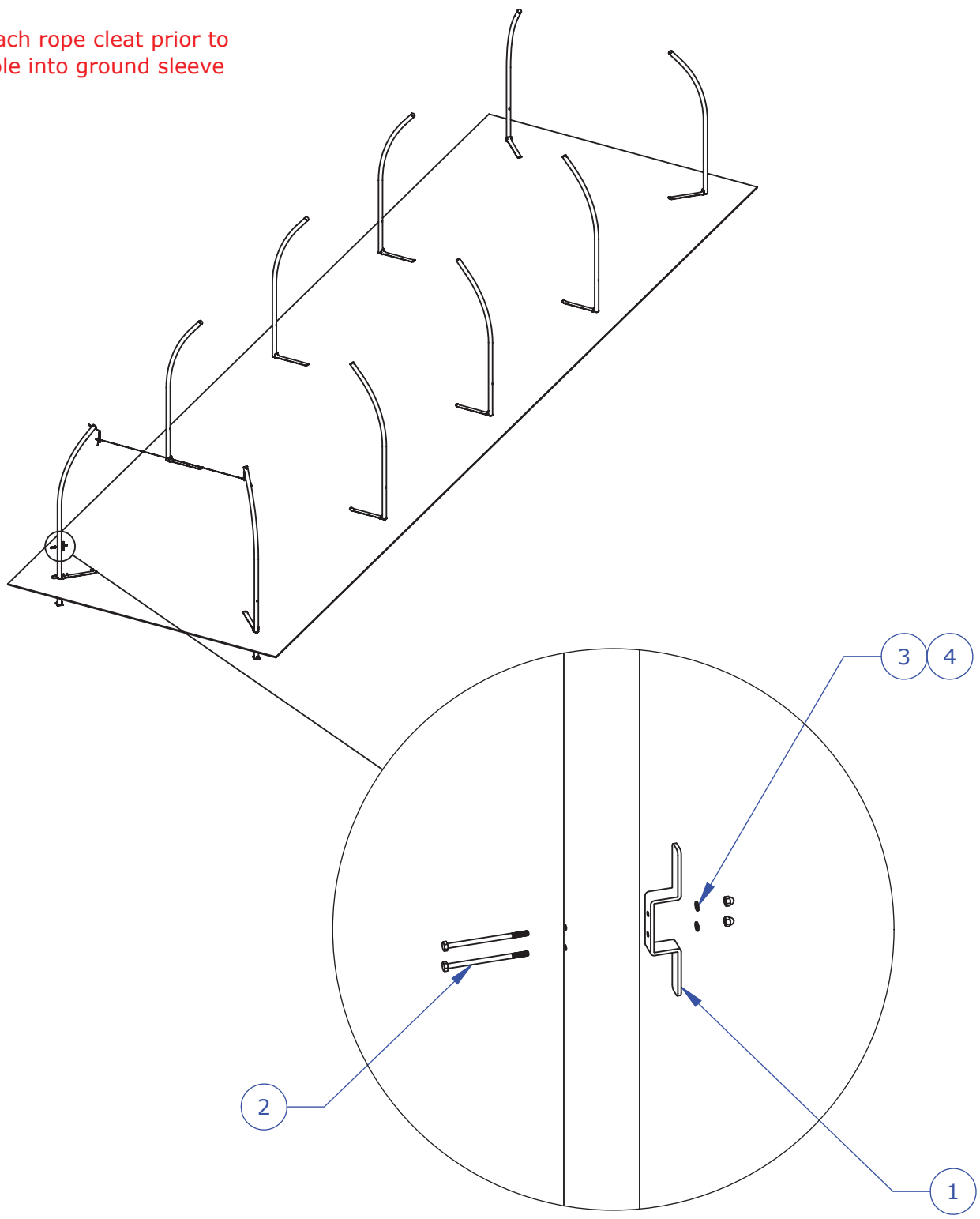
**Pulley & Tether
Attachment Detail**

DWG NO:

ID-00043

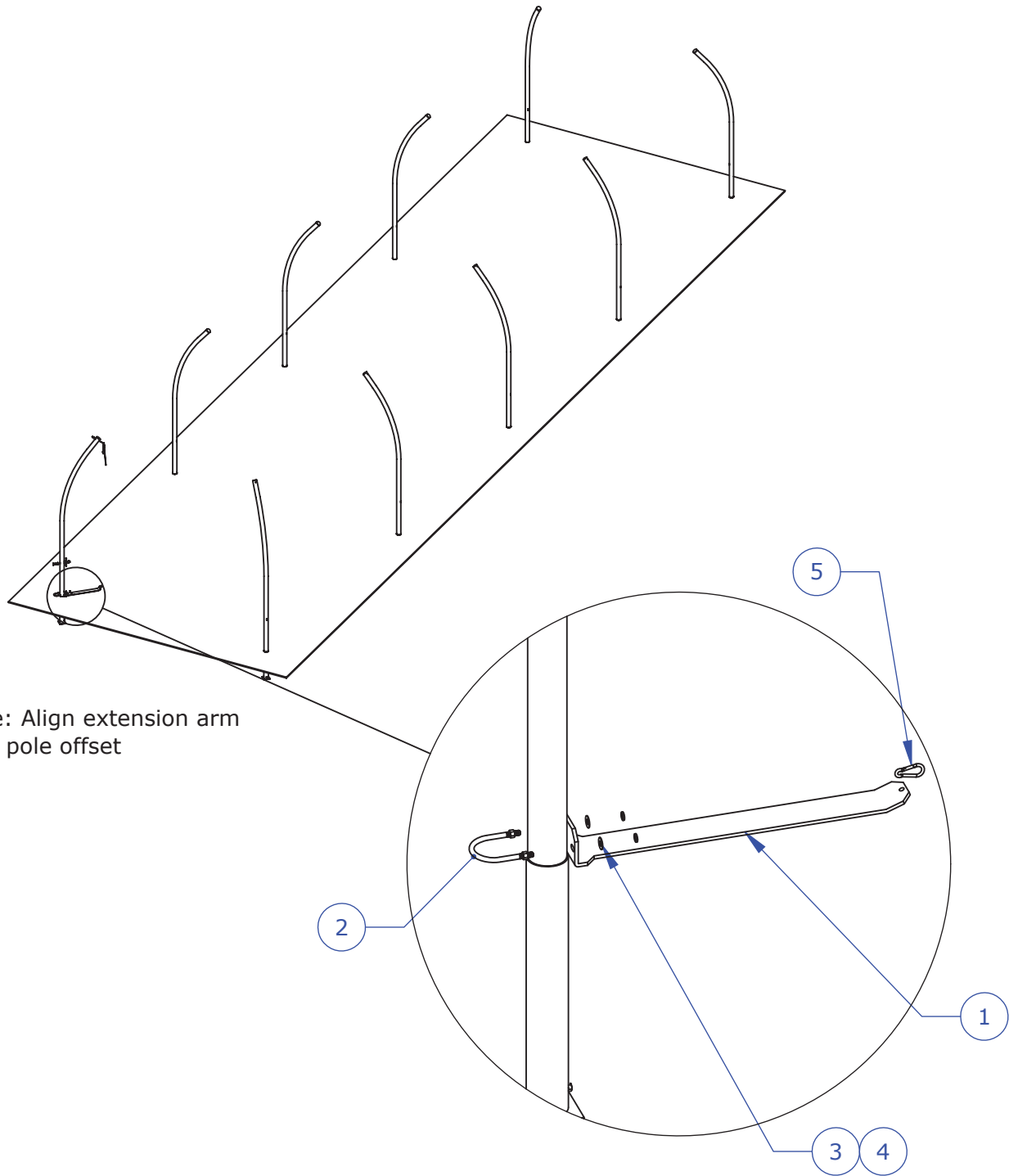
SHEET 1 OF 1

Note: Attach rope cleat prior to setting pole into ground sleeve



ITEM NO.	QTY.	DRAWING NUMBER	SAP Part Number	DESCRIPTION
1	1	Rope Cleat	E-1000-0013	Steel Rope Cleat
2	2	101-HHC1_4-20X4.50-SS	101-HHC-0025	1/4-20 x 4.5" Hex Head Bolt, 304 SS
3	2	110-SLW1_4-SS	110-SLW-0002	1/4 SS LOCK WASHER
4	2	107-HXN1_4-20ACORN-SS	107-HXN-0006	1/4-20 S.S. Low Crown Acorn Nut

TITLE: Rope Cleat Attachment Detail	DWG NO: ID-00042
	SHEET 1 OF 1



Note: Align extension arm with pole offset

ITEM NO.	QTY.	DRAWING NUMBER	SAP Part Number	DESCRIPTION
1	1	FEA	E-0009-0003	36" Fixed Batting Tunnel Extension Arm
2	1	102-UBOLT1_2-13X4X5.5	102-UBOLT-0002	Galv. U-Bolt, 1/2-13 x 4" x 5.5" with 1-1/2" Thread Length with (2) Hex Nuts
3	2	110-FLW1_2-SS	110-FLW-0001	1/2 S.S. FLAT WASHER
4	2	110-SLW1_2-SS	110-SLW-0001	1/2 S.S. LOCK WASHER
5	1	113-209860	PURCHP-0009	5/16" Spring Hook

TITLE:	Extension Arm Attachment Detail	DWG NO:	ID-00041
			SHEET 1 OF 1

Step 1

Lay net out with net openings in desired locations

Step 2

Feed the 14' tethers across the center of the netting from one upright to its upright on the opposite side, weaving the tethers inside and outside the netting about every 6". Clip tether to spring hooks at pulley locations

Step 3

Clip the top four corners of the net with supplied spring hooks at pulley locations

Step 4

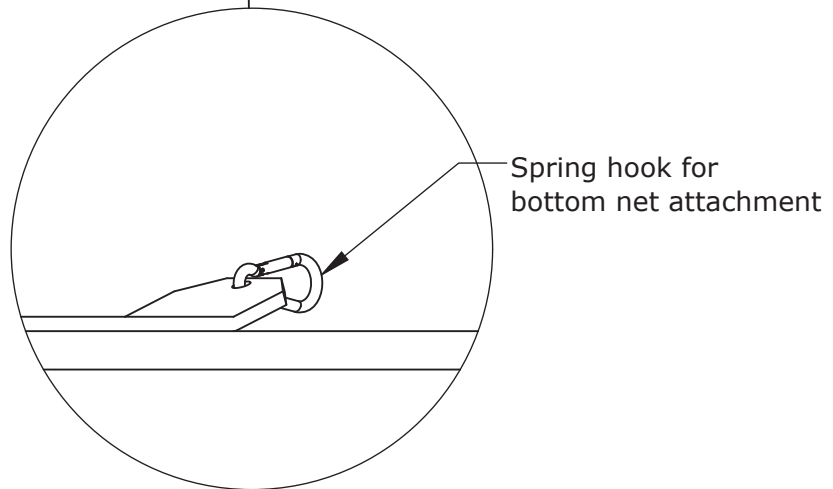
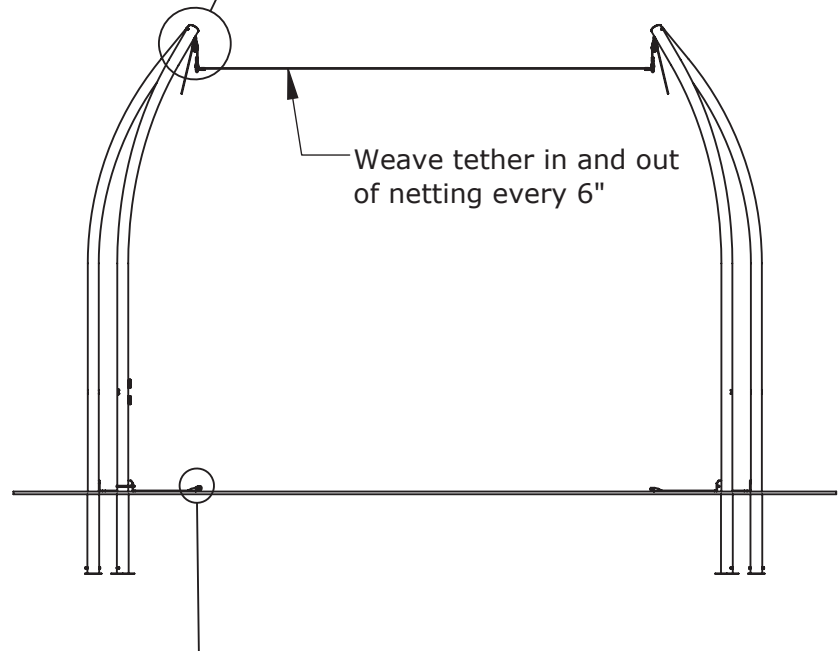
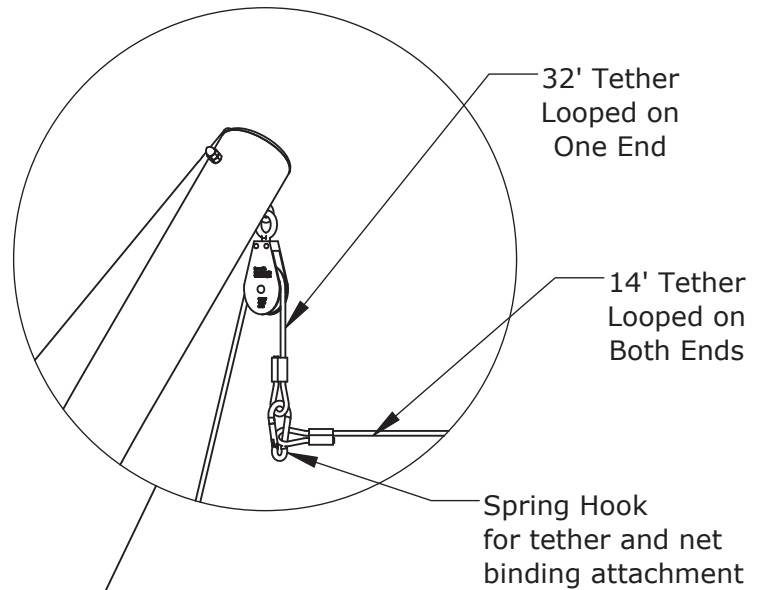
Raise the net into position, then attach weighted chain pockets to the bottom of the net (See ID-00050)

Step 5

Secure the net at each pole location with supplied spring hooks to the extension arm

***Important Note: Secure spring hooks to net on net BINDING ONLY, and not to mesh**

***Important Note: Prior to raising the net, mark clip locations on the net for future removal and reinstallation of net**



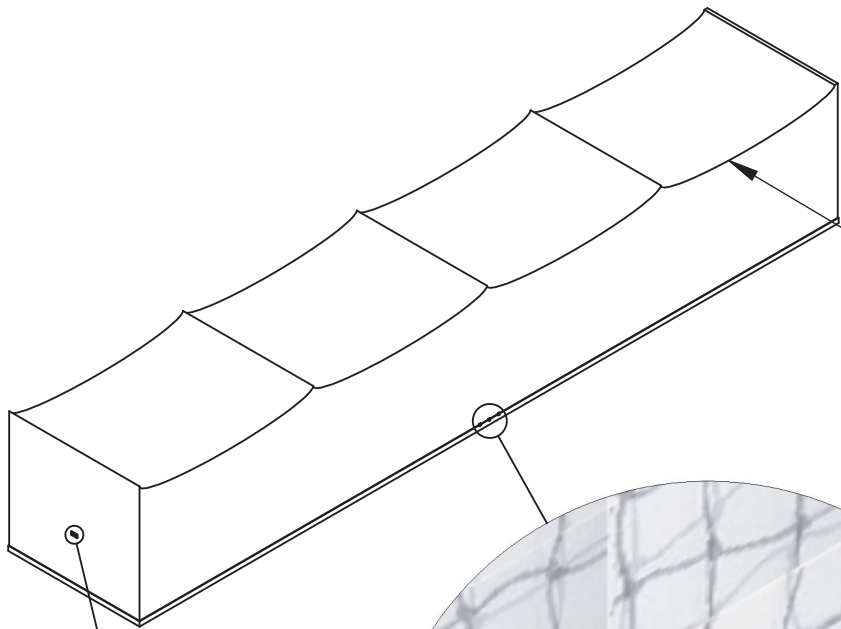
TITLE:

Net Attachment

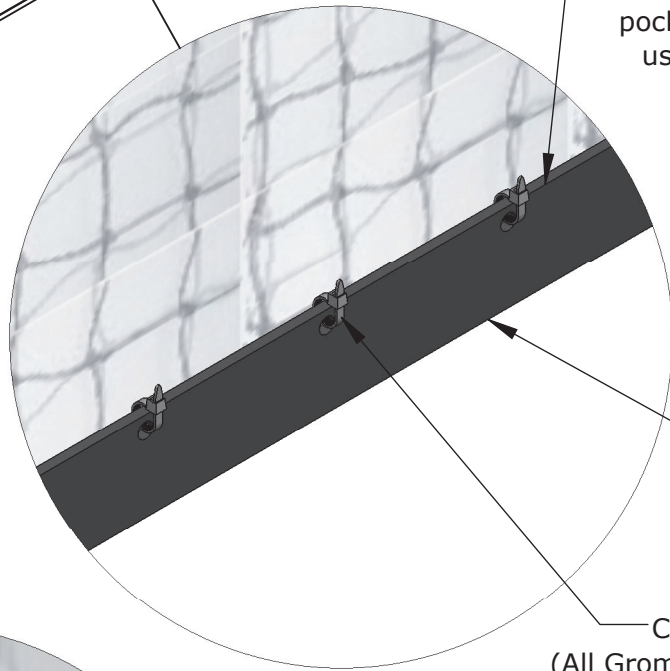
DWG NO:

ID-00071

SHEET 1 OF 1



Note: Net sag may vary per system



Attach weighted chain pockets to net binding only, using supplied cable ties

Weighted Chain Pocket

Cable Tie (All Grommet Locations)



Attach (1) "Do Not Stand Next to Netting" sign on each end of the net using supplied cable ties

TITLE:

Net Assembly

DWG NO:

ID-00050

SHEET 1 OF 1

Sportsfield Specialties, Inc. strongly recommends the removal of all nets prior to exposure to winter weather, including snow and/or ice storms. Whenever possible, the nets should also be lowered prior to any extreme wind events. Removal/Lowering of the nets will mitigate any unforeseen damage to the poles, nets and/or attachment hardware. Storing nets in a dry, pest free location will help extend the life of the nets. Sportsfield Specialties, Inc. will not be held liable or assume responsibility for any damage to the nets, poles and/or corresponding attachment hardware if the nets are not removed/lowered prior to the above described wind and/or weather events.

Step 1

Cut the zip ties connecting the weighted chain pocket to the net binding, taking care not to cut the net

Step 2

Unhook the spring hooks that attach the net to the extension arms, leaving the spring hooks attached to the net. Mark clip locations on the net for future reference

Step 3

Using the tethers, lower the net. Tie the rope cleat off at both ends

Step 4

Fold the net and store in a clean, dry location

Note:

If desired, the structure can be removed and stored. Cap off the ground sleeves with the provided ground sleeve cap. Store hardware in a single container for future installation

TITLE:

**Net Removal, Storage,
and System Disassembly**

DWG NO:

ID-00058

SHEET 1 OF 1