



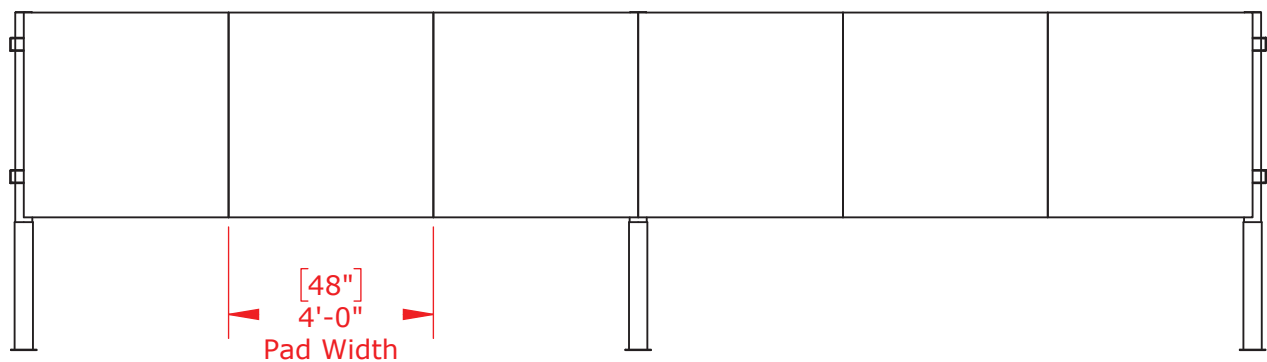
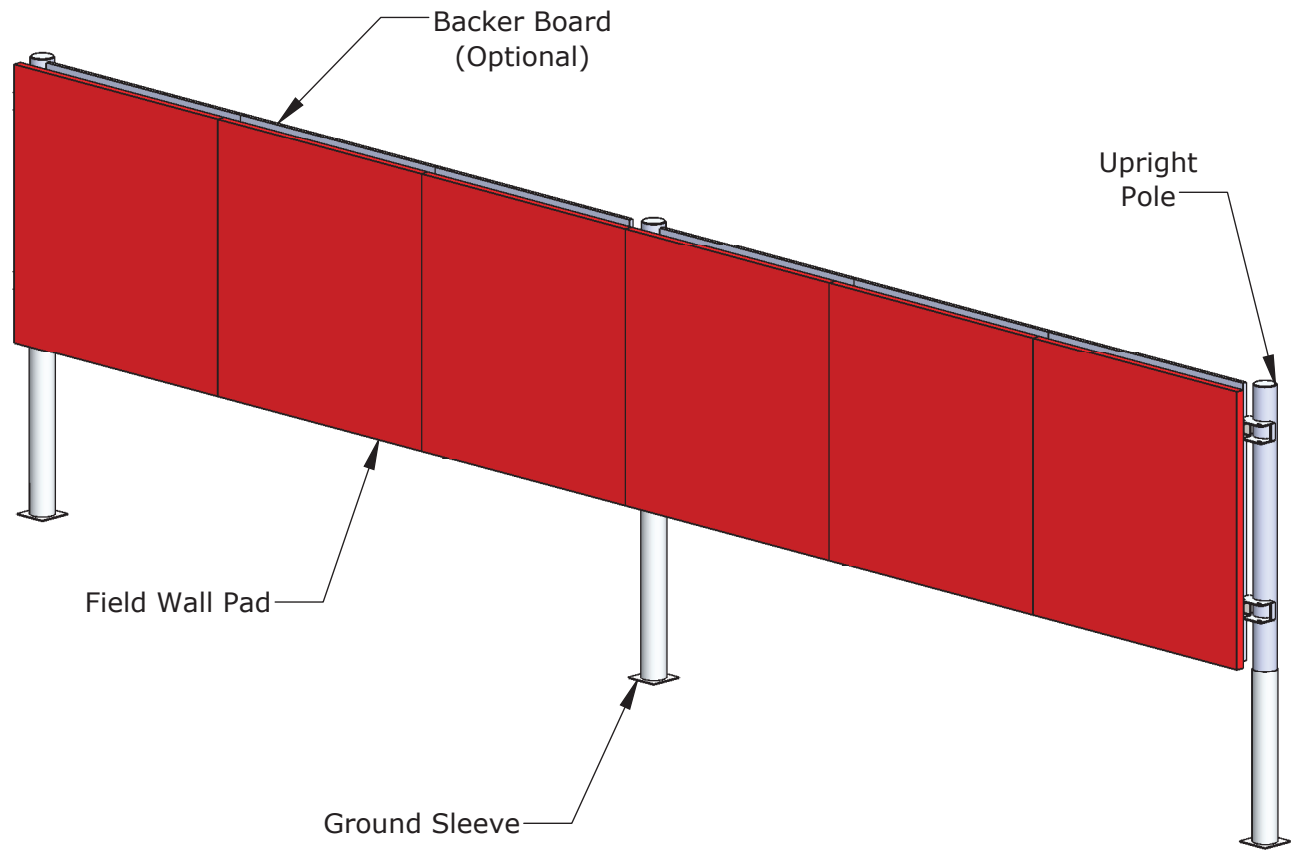
1-888-975-3343

Install Instructions

Semi-Permanent Structural Fencing System

Product No.	Product Description
SF4S	4' High Semi-Permanent Structural Fence System
SF6S	6' High Semi-Permanent Structural Fence System
SF8S	8' High Semi-Permanent Structural Fence System

System Overview.....	ID-00059
Ground Sleeve & Upright Assembly.....	ID-00060
Rail to Upright Attachment.....	ID-00062
Z-Clip Attachment.....	ID-00063
Pad Attachment.....	ID-00064
Optional Backer Board Attachment.....	ID-00103



TITLE:

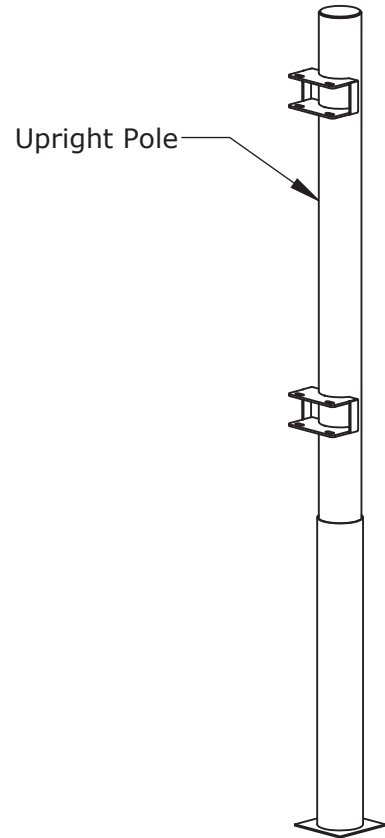
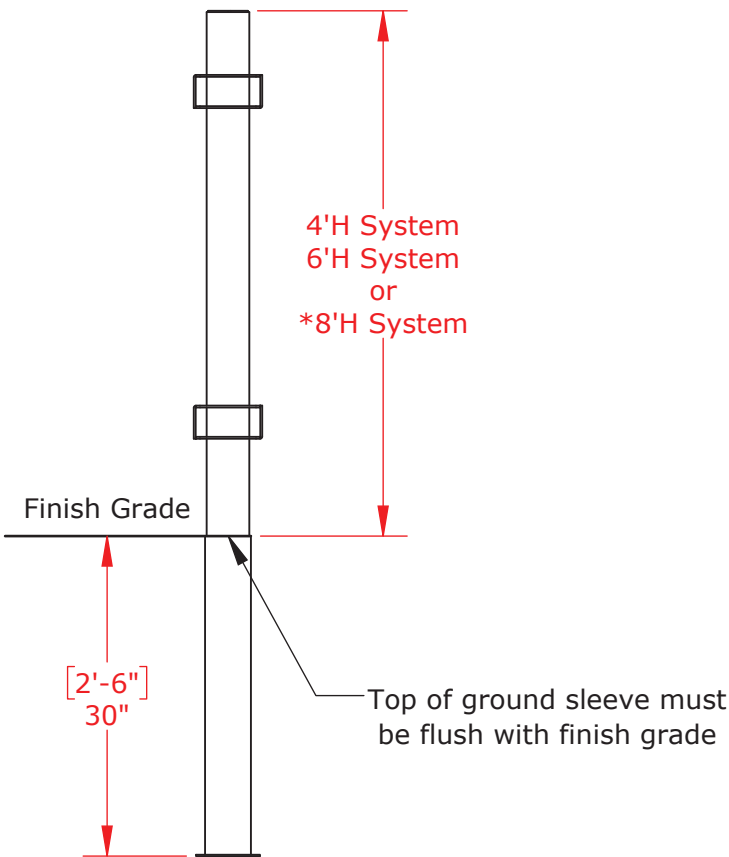
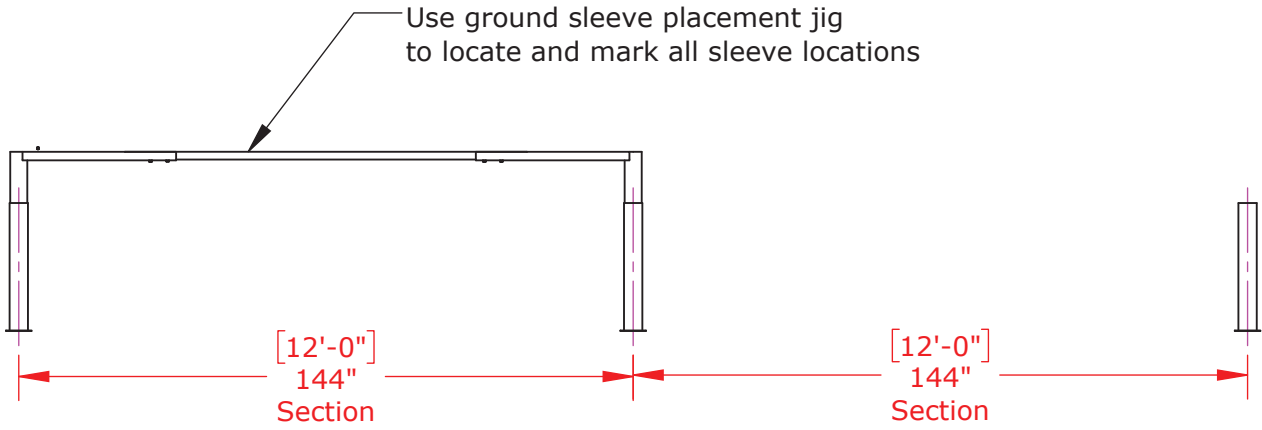
System Overview

DWG NO:

ID-00059

SHEET 1 OF 1

For foundation requirements
please refer to contract
documents and/or local
codes/conditions

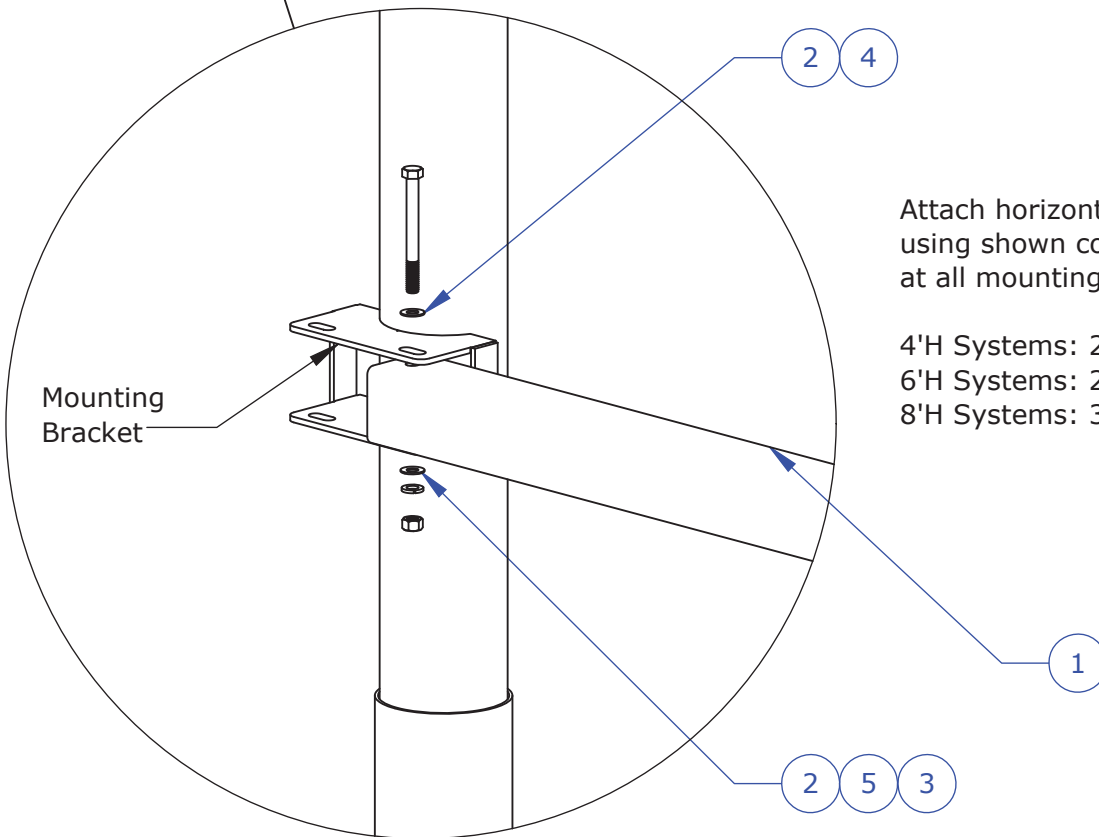
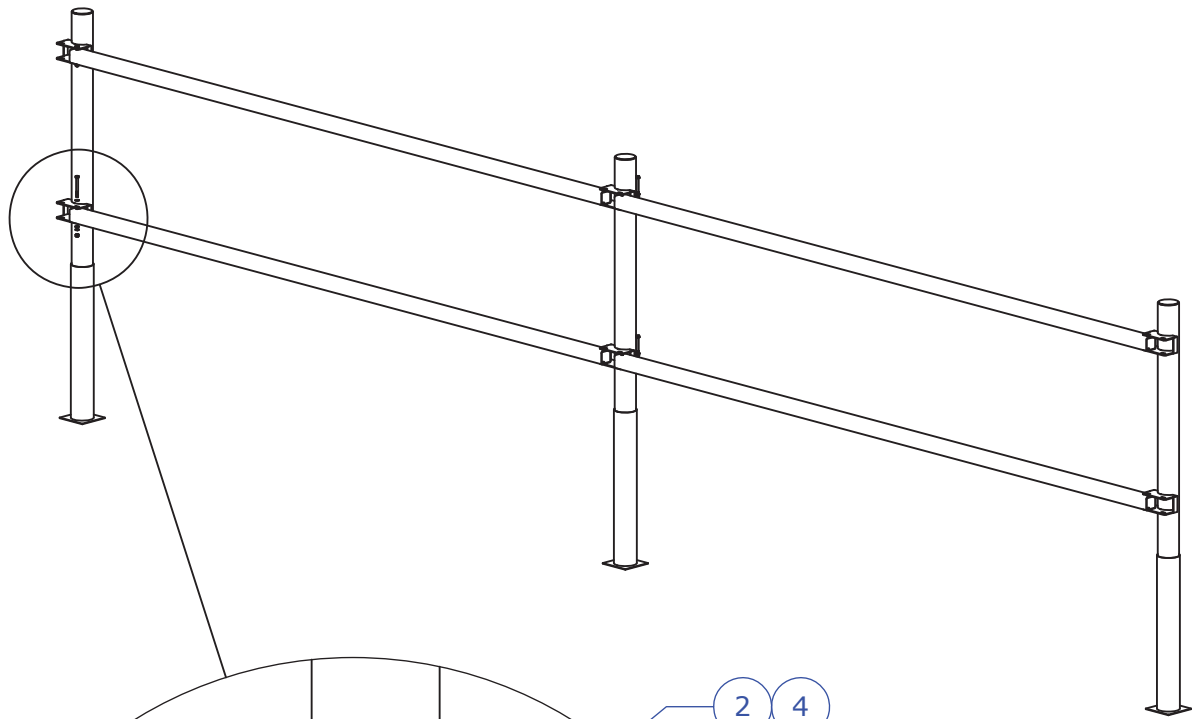


*Note: Upright for 8'H system
will have three brackets

TITLE:
Ground Sleeve & Upright Assembly

DWG NO:
ID-00060

SHEET 1 OF 1

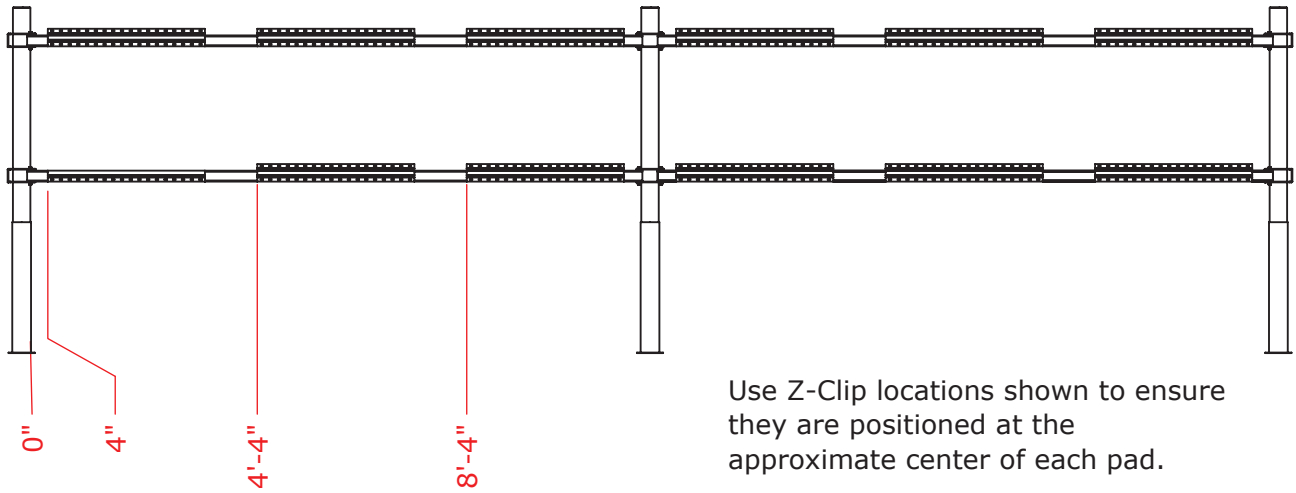


Attach horizontal rails to uprights using shown connection hardware at all mounting bracket locations

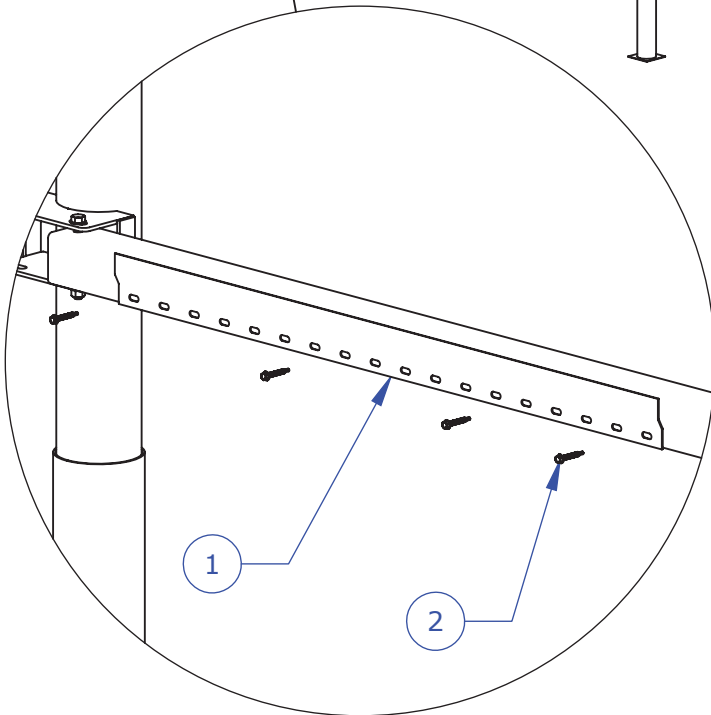
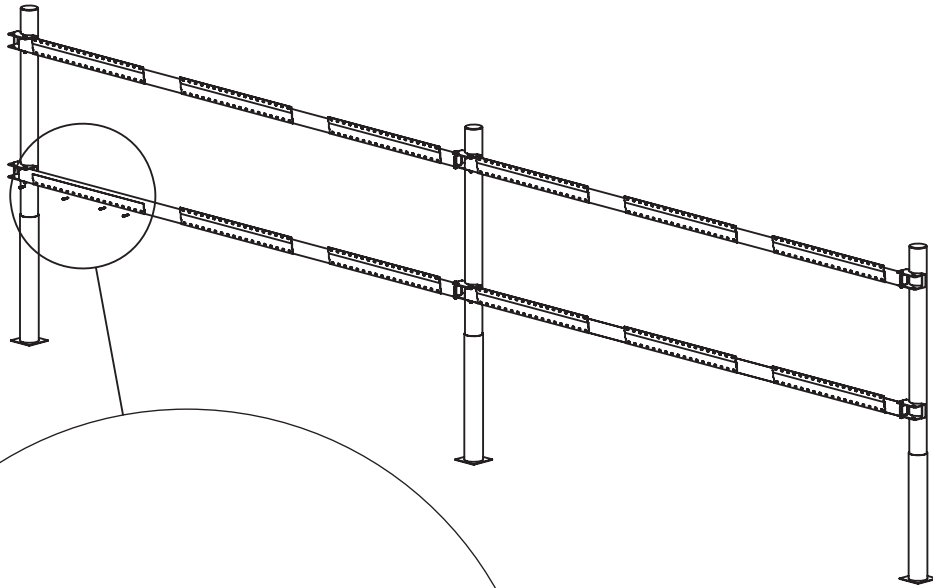
4'H Systems: 2 locations per Upright
 6'H Systems: 2 locations per Upright
 8'H Systems: 3 locations per Upright

ITEM NO.	QTY.	DRAWING NUMBER	SAP Part Number	DESCRIPTION
1	1	SFS-Rail	E-0012-S021	Horizontal Rail Structure, Semi-Permanent Structural Fence
2	2	110-FLW3_8-SS	110-FLW-0005	3/8 S.S. FLAT WASHER
3	1	107-HXN3_8-16-SS	107-HXN-0020	3/8-16 STAINLESS STEEL HEX NUT
4	1	101-HHC3_8-16X3.75-SS	101-HHC-0062	3/8-16 x 3.0" Hex Head Bolt, 304 SS
5	1	110-SLW3_8-SS	110-SLW-0006	3/8-16 S. S. Lock Washer

TITLE: Rail to Upright Attachment	DWG NO: ID-00062
	SHEET 1 OF 1



Use Z-Clip locations shown to ensure they are positioned at the approximate center of each pad.

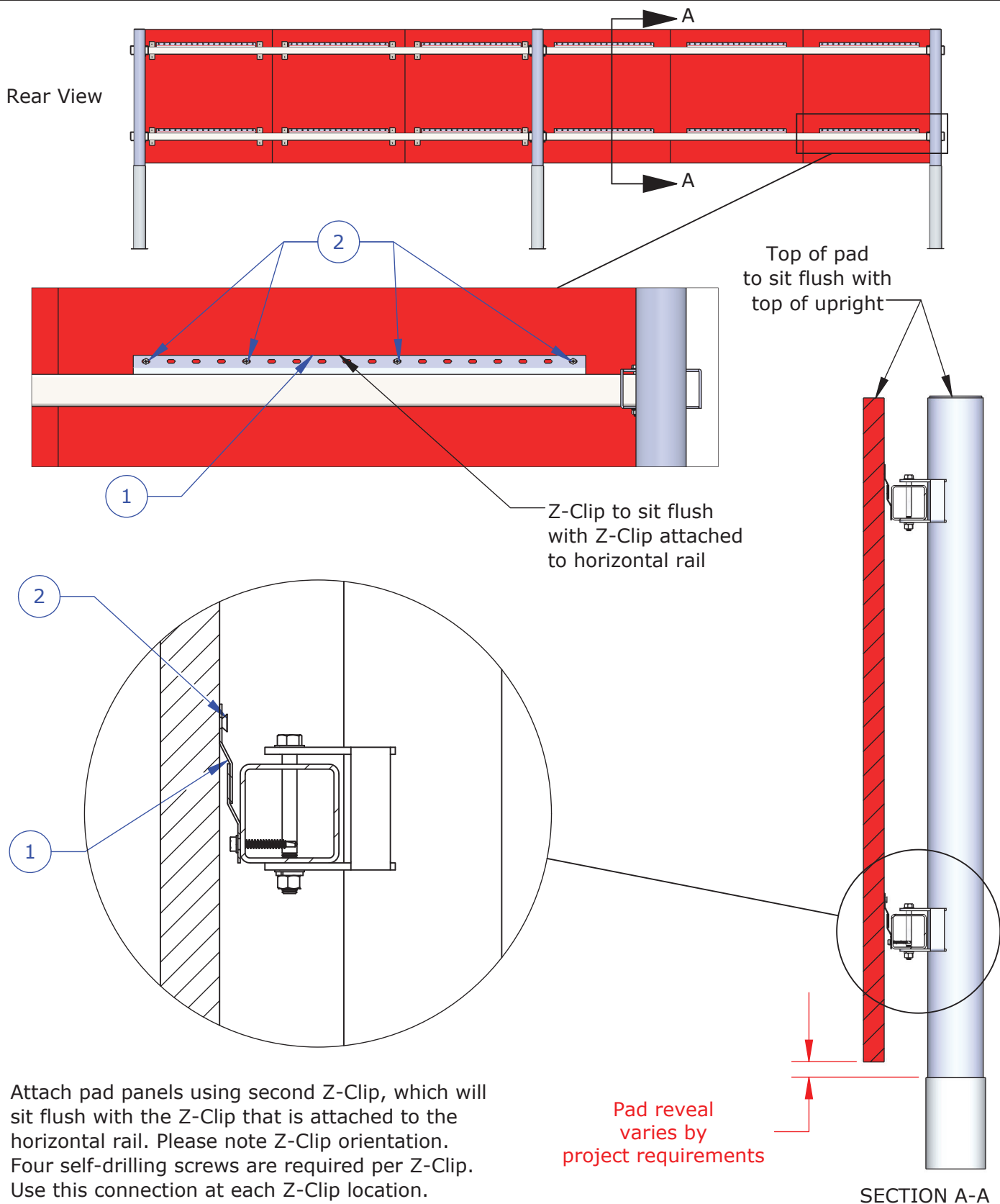


Attach three Z-Clips to each horizontal rail using shown connection hardware. Orient Z-Clip as shown, such that the bottom edge sits flush with the bottom edge of the horizontal rail. Four self-drilling screws are required per Z-Clip.

ITEM NO.	QTY.	DRAWING NUMBER	SAP Part Number	DESCRIPTION
1	1	ZClip-01	540-MET-0016	Z-Clip; 36" w/ 18 Holes; Aluminum
2	4	90064A582	105-SCREWS-0007	#12 x 1-1/2" Hex Head Self Drilling Carbon Screws w/Oxyseal Coating and head painted BLACK (06)

TITLE: Z-Clip Attachment	DWG NO: ID-00063
	SHEET 1 OF 1

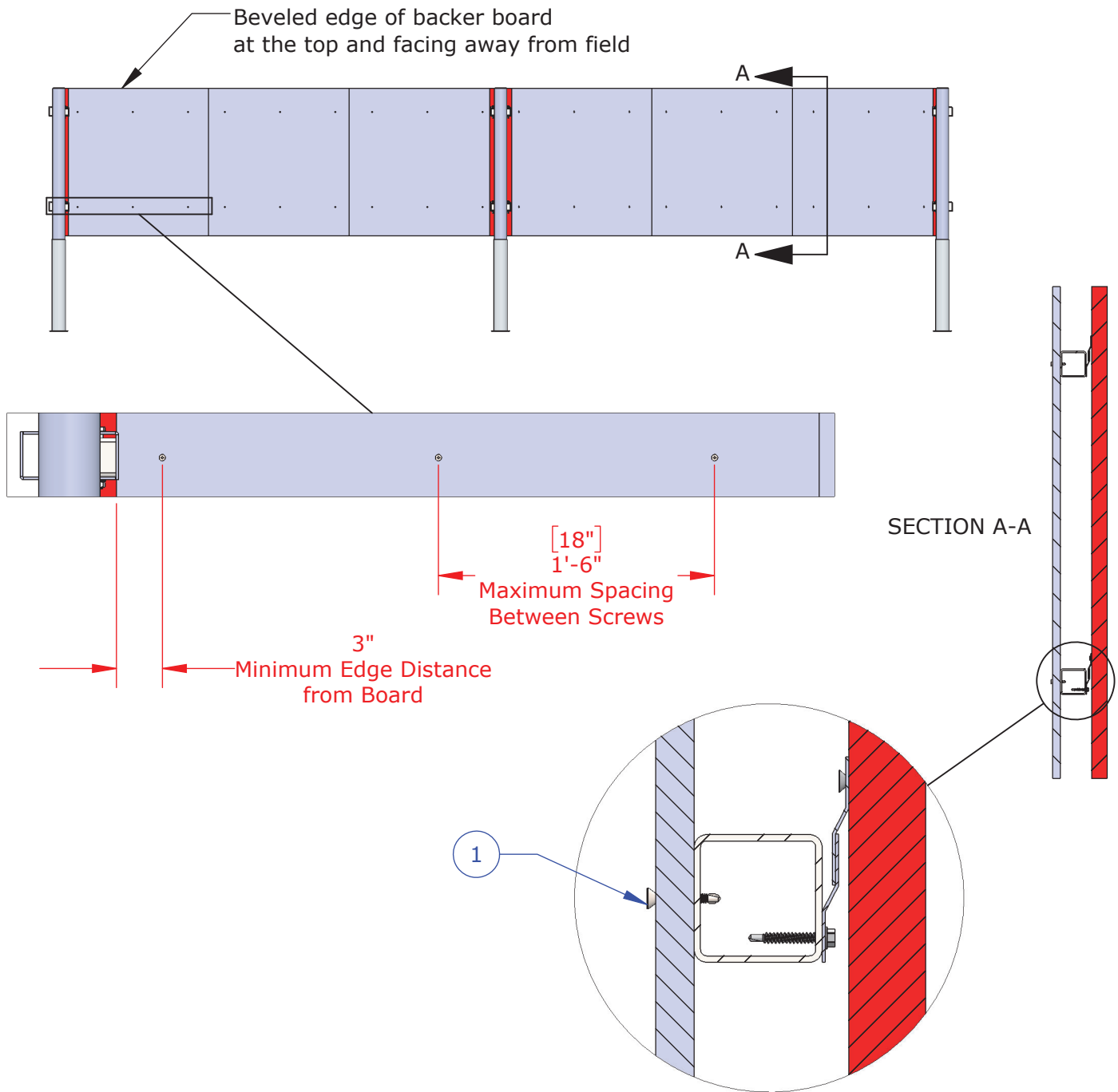
Rear View



Attach pad panels using second Z-Clip, which will sit flush with the Z-Clip that is attached to the horizontal rail. Please note Z-Clip orientation. Four self-drilling screws are required per Z-Clip. Use this connection at each Z-Clip location.

ITEM NO.	QTY.	DRAWING NUMBER	SAP Part Number	DESCRIPTION
1	1	ZClip-01	540-MET-0016	Z-Clip; 36" w/ 18 Holes; Aluminum
2	4	90294A296	104-SCREWS-0045	#12 x 1" L, Pan Head Marine Wood Screw, Phillips Drive, SS

TITLE: Pad Attachment	DWG NO: ID-00064
	SHEET 1 OF 1



Install backer boards flush with inside to inside of upright poles. Fasten backer boards to rail structure using shown connection hardware. Space screws a maximum of 18" apart and 3" minimum from edge of backer board. Orient backer boards such that the beveled edge is at the top and facing away from the field.

The top of the backer board should be flush with the tops of the upright poles. Touch-up paint is provided and should be used to paint over the heads of the screws.

ITEM NO.	SAP Part Number	DESCRIPTION
1	105-SCREWS-0008	#10-24 x 1-7/16", Flat Head, Phillips Drive, Self-Drilling Gray Spex finish, Wood-to-Metal Screw
TITLE:		DWG NO:
Optional Backer Board Attachment		ID-00103
		SHEET 1 OF 1