



*Excellence from Design to Installation*

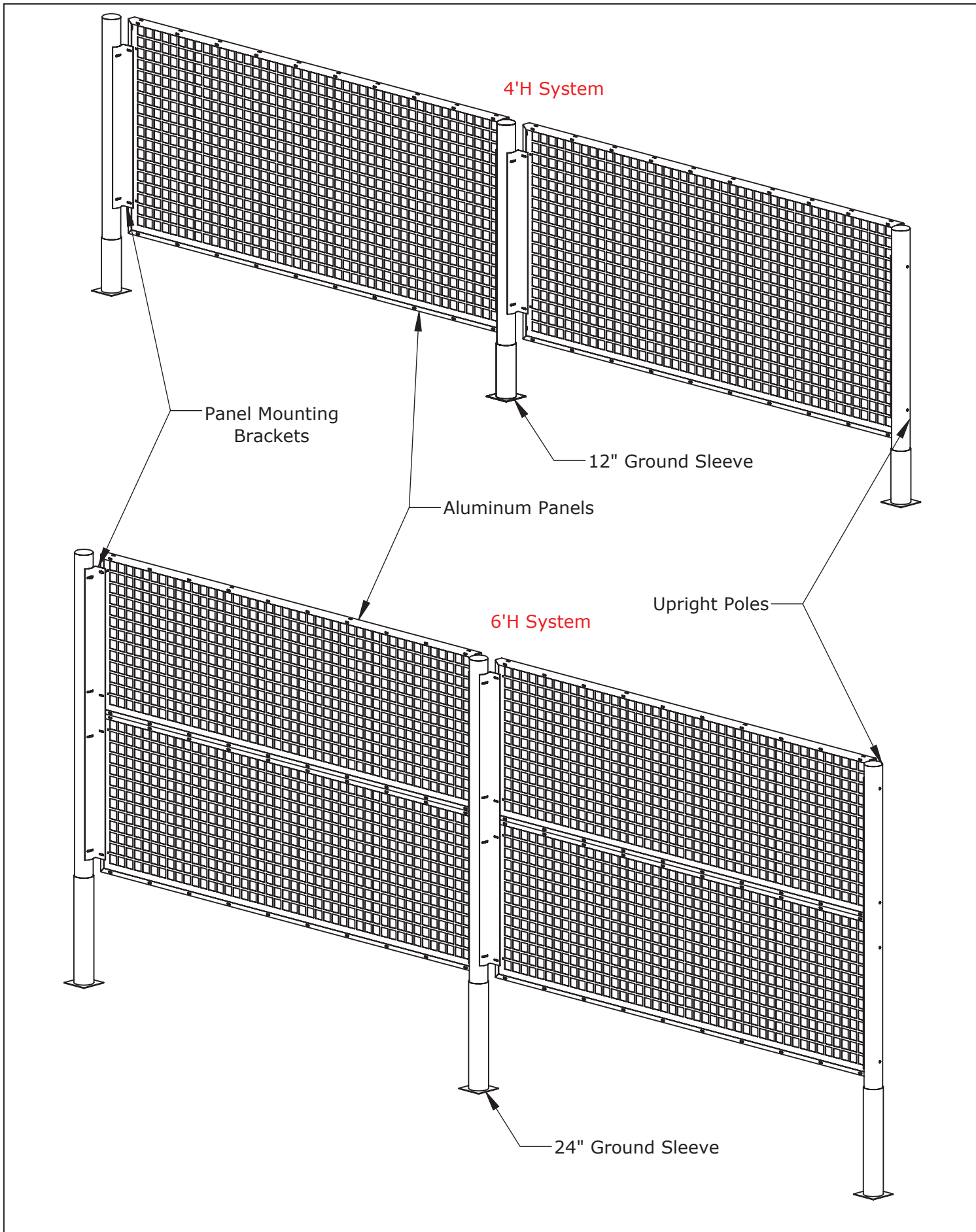
**1-888-975-3343**

**Install Instructions**

**Semi-Permanent Fence System**

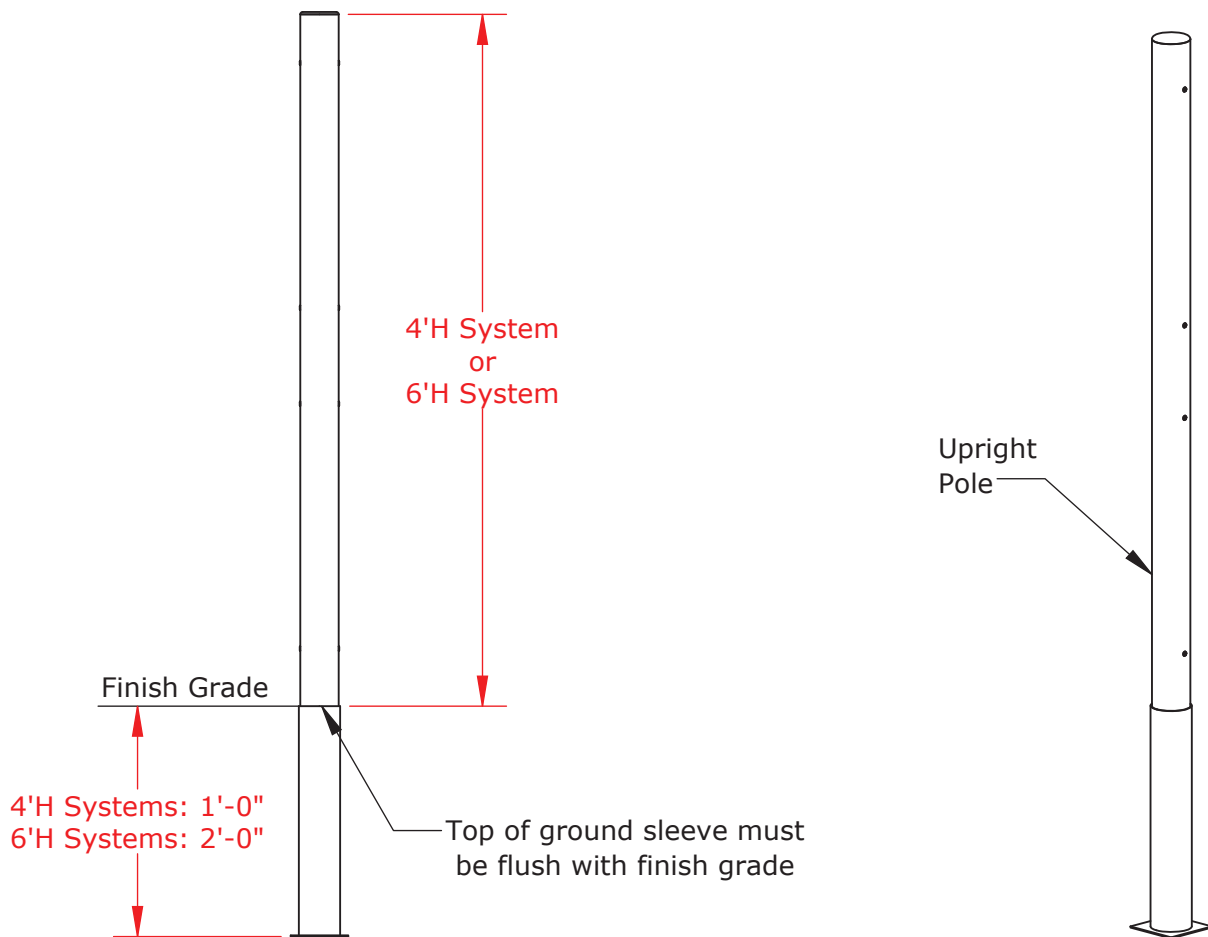
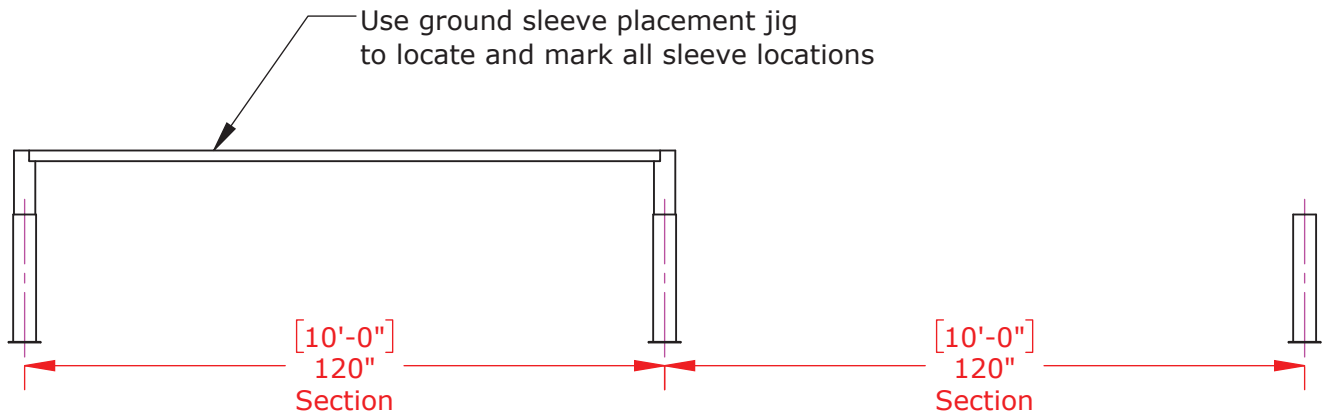
<b>Product No.</b>	<b>Product Description</b>
SF4	4' High Semi-Permanent Fence System
SF6	6' High Semi-Permanent Fence System

System Overview.....	ID-00065
Ground Sleeve & Upright Assembly.....	ID-00066
Panel Mounting Bracket Attachment.....	ID-00067
Panel to Bracket Attachment, 4'H Systems.....	ID-00068
Panel to Bracket Attachment, 6'H Systems.....	ID-00069



TITLE: <b>System Overview</b>	DWG NO: <b>ID-00065</b>	SHEET 1 OF 1

For foundation requirements  
please refer to contract  
documents and/or local  
codes/conditions



TITLE:

Ground Sleeve & Upright Assembly

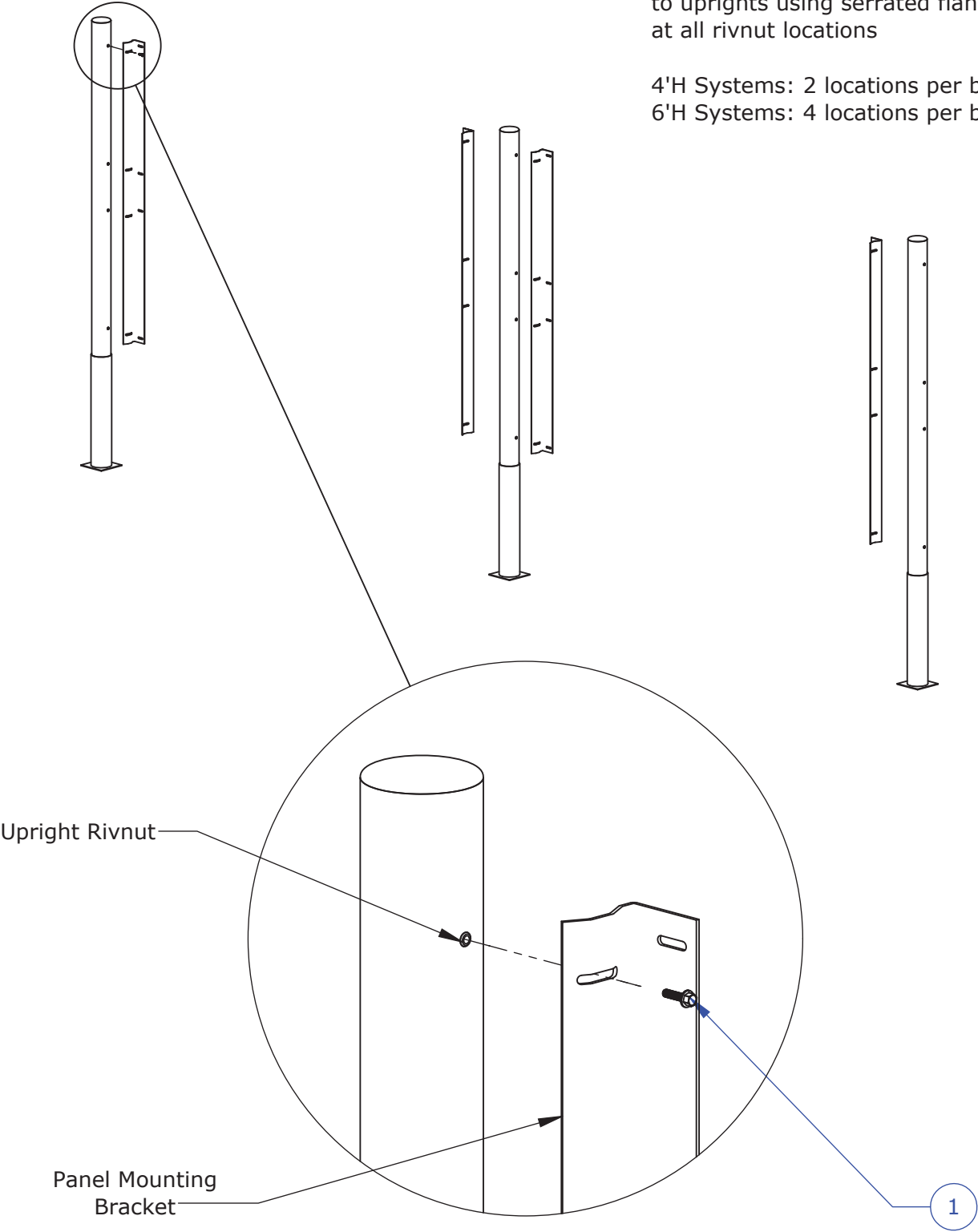
DWG NO:

ID-00066

SHEET 1 OF 1

Attach panel mounting brackets to uprights using serrated flange bolts at all rivnut locations

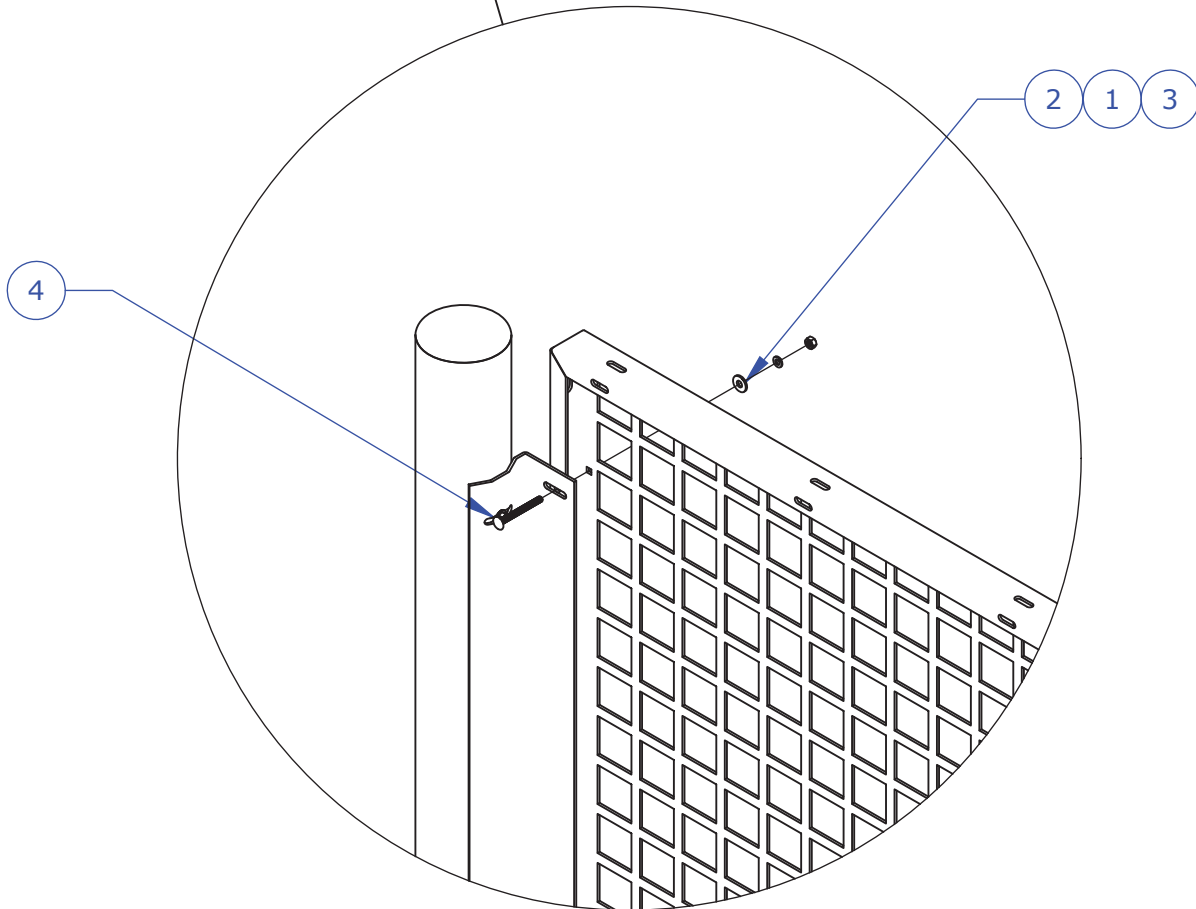
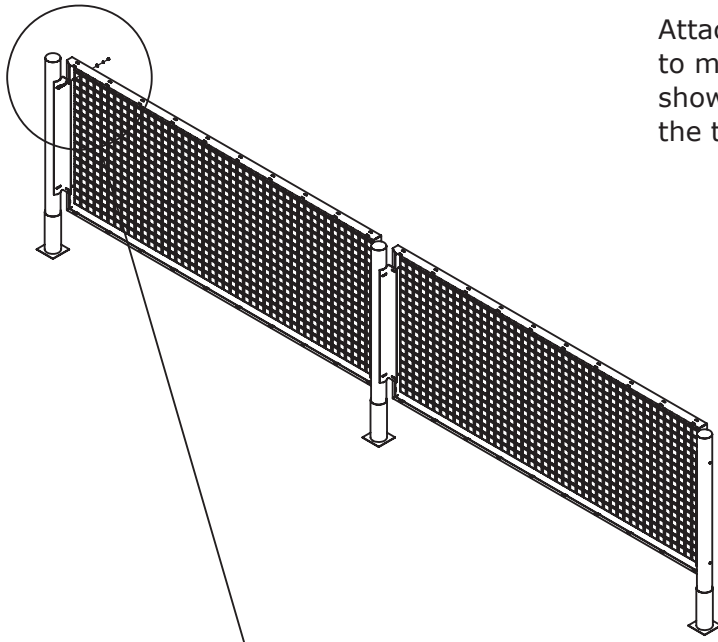
4'H Systems: 2 locations per bracket  
 6'H Systems: 4 locations per bracket



ITEM NO.	QTY.	DRAWING NUMBER	SAP Part Number	DESCRIPTION
1	1	100_HWH1_4_20X1_SER_CS_BP	100-HWH-0001	1/4-20 x 1" Hex Washer Head with serrated flange, Grade 5, Fully Threaded

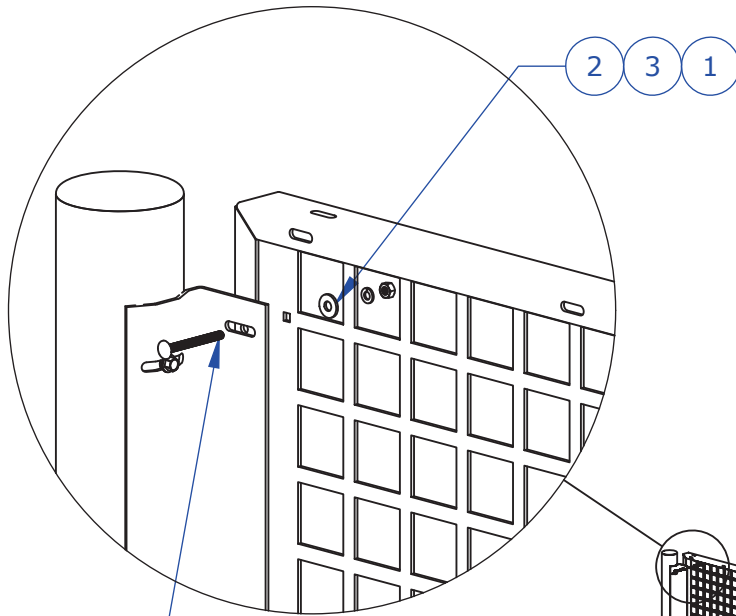
TITLE: <b>Panel Mounting Bracket Attachment</b>	DWG NO: <b>ID-00067</b>
	SHEET 1 OF 1

Attach aluminum panels to mounting brackets using shown connection hardware at the top and bottom of each panel



ITEM NO.	QTY.	DRAWING NUMBER	SAP Part Number	DESCRIPTION
1	1	111-SLW1_4-Galv	111-SLW-0007	1/4 Galv. Lock Washer
2	1	111-FLW1_4-Galv	111-FLW-0007	1/4 Galv. Flat Washer
3	1	108-HXN1_4-20-Galv	108-HXN-0007	1/4-20 Galv. HEX NUT
4	1	102-CAB1_4-20X2.50-Galv	102-CAB-0004	1/4-20 x 2.50" L, Galv. Carriage Bolt

TITLE: <b>Panel to Bracket Attachment, 4'H Systems</b>	DWG NO: <b>ID-00068</b>
	SHEET 1 OF 1

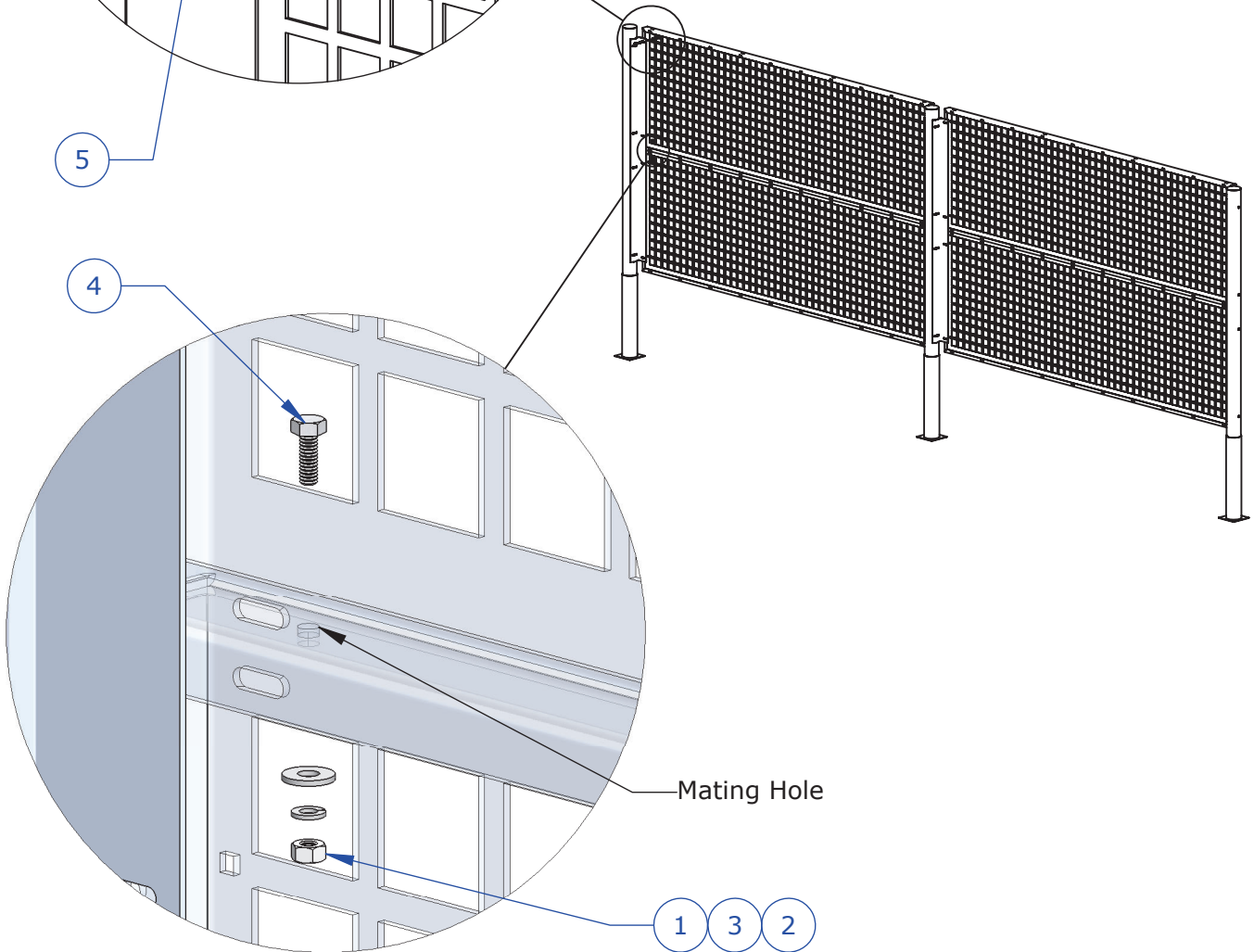


### Step 1

Bolt two aluminum panels together loosely using shown connection hardware. The panels should be aligned at the mating holes for proper orientation.

### Step 2

Attach aluminum panels to mounting brackets using shown connection hardware at the top and bottom of each panel.



ITEM NO.	QTY.	DRAWING NUMBER	SAP Part Number	DESCRIPTION
1	2	108-HXN1_4-20-Galv	108-HXN-0007	1/4-20 Galv. HEX NUT
2	2	111-FLW1_4-Galv	111-FLW-0007	1/4 Galv. Flat Washer
3	2	111-SLW1_4-Galv	111-SLW-0007	1/4 Galv. Lock Washer
4	1	102-HHC1_4-20X.750-Galv	102-HHC-0017	1/4-20 x .75" Hex Head Bolt, Galvanized
5	1	102-CAB1_4-20X2.50-Galv	102-CAB-0004	1/4-20 x 2.50" L, Galv. Carriage Bolt

TITLE: **Panel to Bracket Attachment, 6'H Systems**

DWG NO: **ID-00069**

SHEET 1 OF 1