

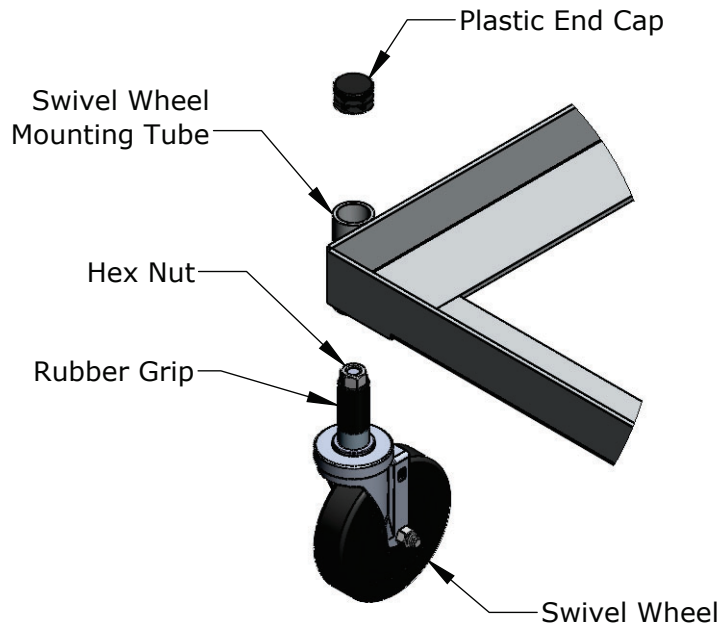


**1-888-975-3343**

## Install Instructions L Shaped Hurdle Cart

<b>Product No.</b>	<b>Product Description</b>
HLCRT41	"L" Hurdle Cart, Capacity: 10, 41"W
HLCRT47	"L" Hurdle Cart, Capacity: 10, 47"W





**Step 1**

Before inserting the swivel wheel into the mounting tube, make sure the hex nut is not compressing the rubber grip. Insert the swivel wheel into the mounting tube.

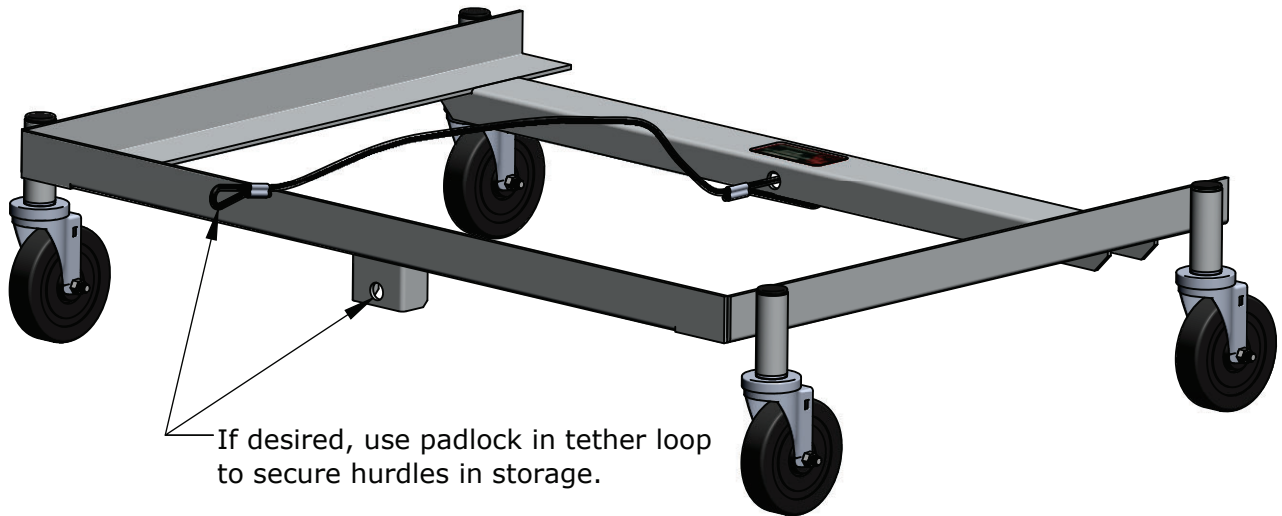
**Step 2**

Tighten the hex nut on top of the stem from within the mounting tube using a socket wrench. Compressing the rubber grip now will hold the swivel wheel in place.

**Step 3**

Insert plastic end cap into mounting tubes.

**Max Capacity: 10 Hurdles**



ITEM NO.	QTY.	DRAWING NUMBER	SAP Part Number	DESCRIPTION
1	1	TFHURDLCART41-Base	Undefined	Base Assembly
2	4	002517	Undefined	Swivel Wheel Modified Assembly
3	4	cast_cap	PURCHP-0238	Plastic end cap (Fits 1" sch. 40 pipe)

TITLE:  
**Hurdle Cart Swivel Wheels**

DWG NO:  
**ID-00282**

SHEET 1 OF 1