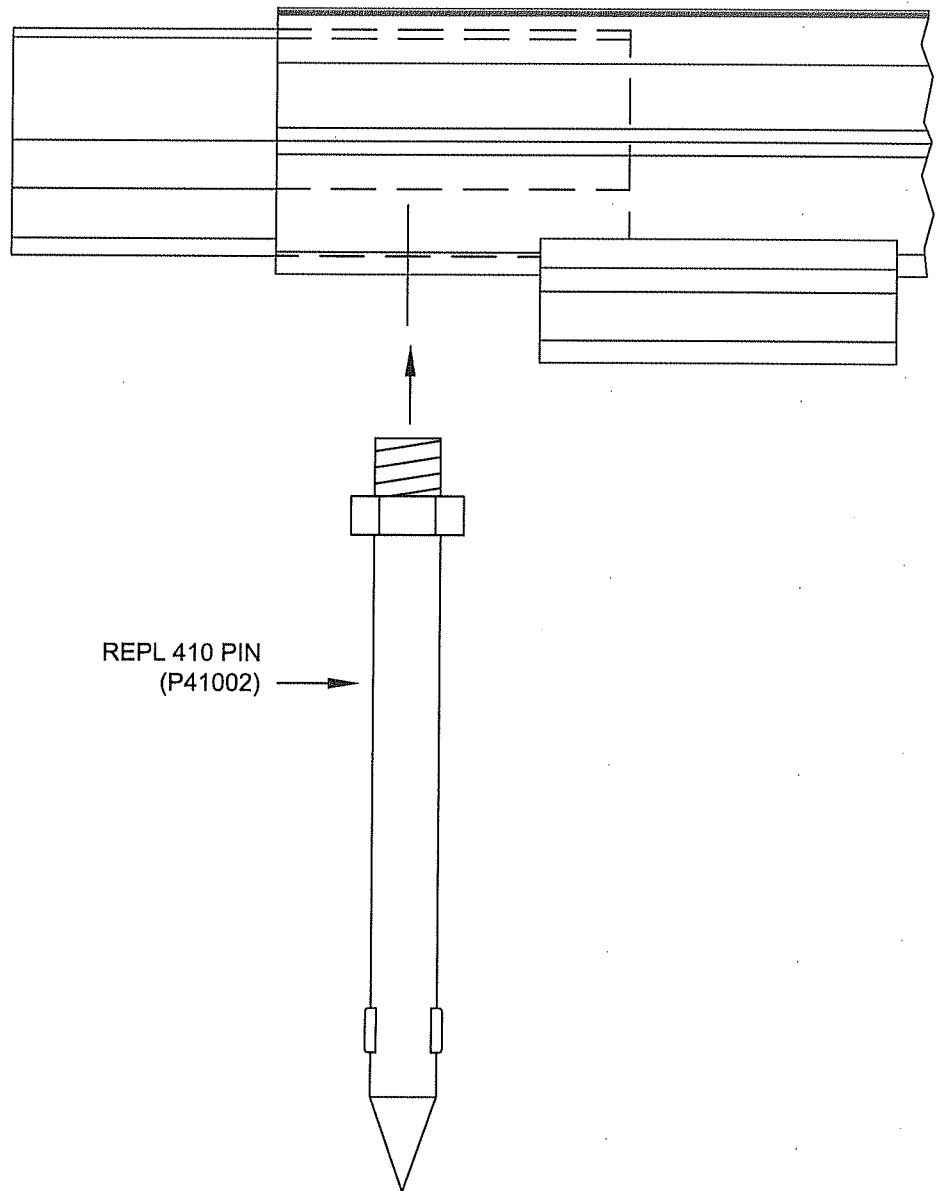
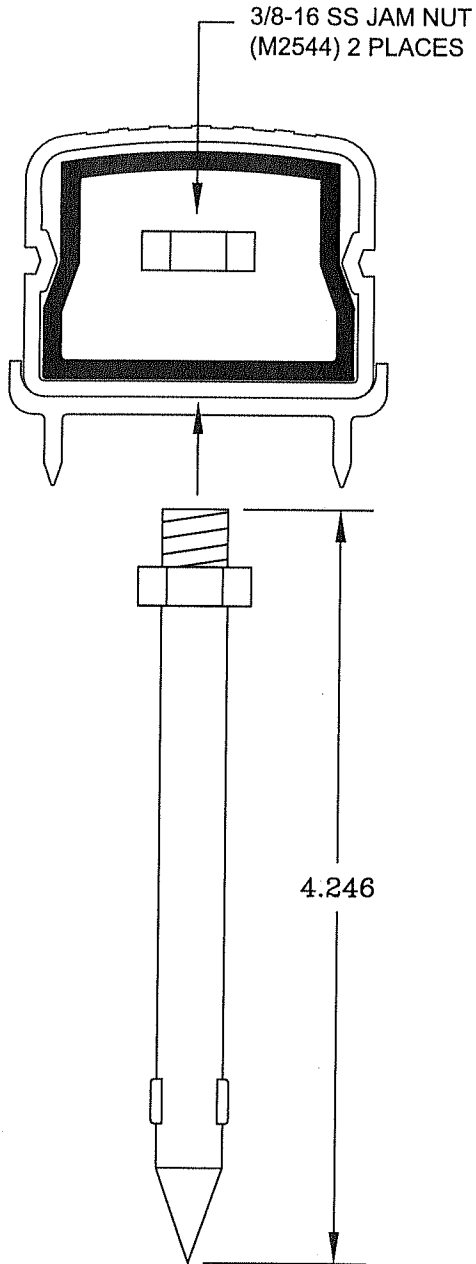


851P - INTERNATIONAL TRACK CURBING BASE PINS ANCHOR PIN INSTALLATION

CURBING BASEPINS

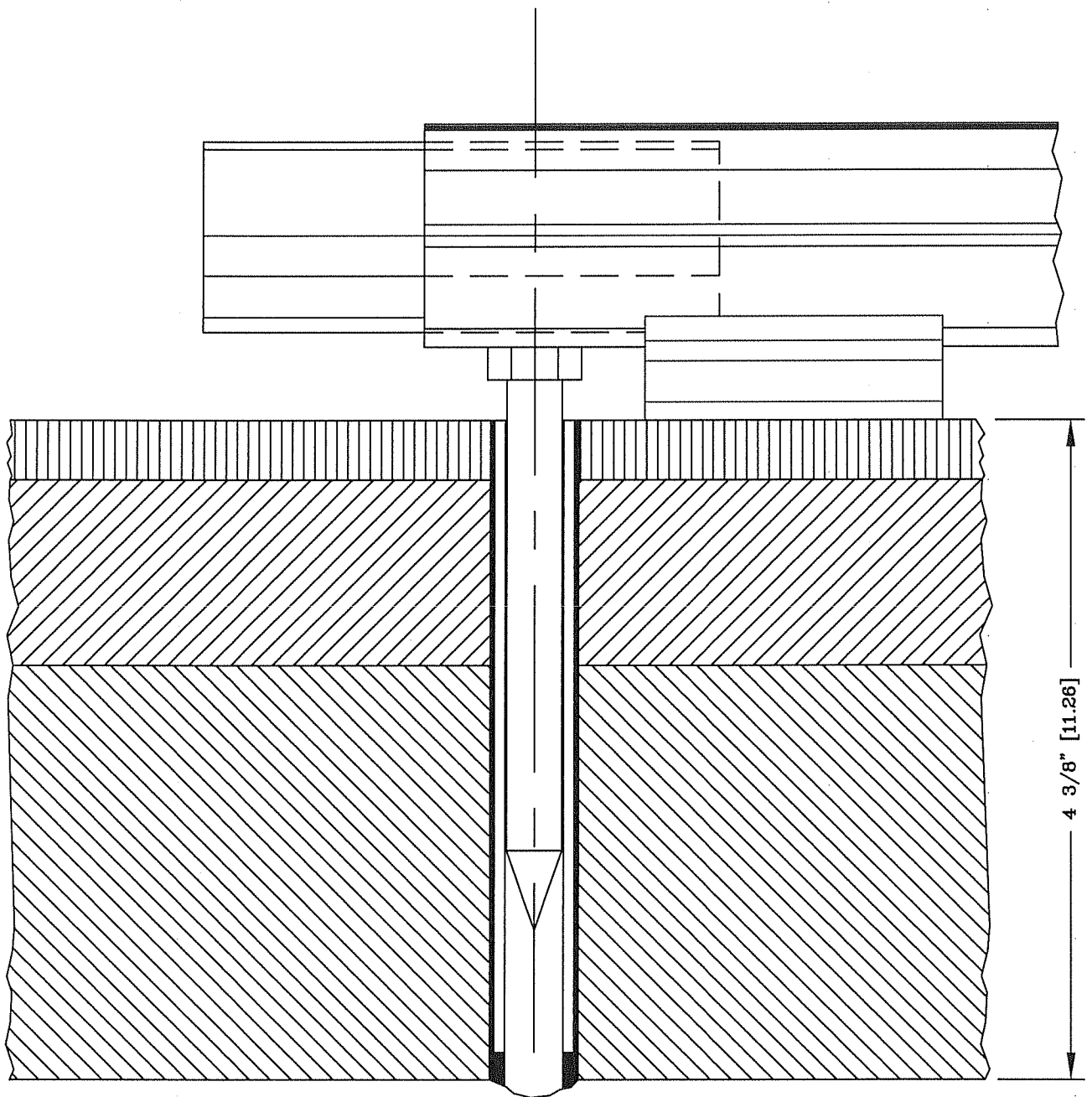
1. Ascertain at which joints anchor pins are required.

2. Drill 3/8" hole in bottom of curb as shown below and install pin with 3/8" jam nuts provided.



851P - INTERNATIONAL TRACK CURBING BASE PINS
ACHOR PIN INSTALLATION

PIN SLEEVE INSTALLATION



PIN SLEEVES

1. Completely lay out and assemble curbing per instructions and install pins where required.
2. Mark the points on the track where pins will rest.
3. At each of these marks, drill a vertical hole to fit the sleeves completely through the track surface. The holes must be at least 4 3/8" deep.
4. Grout a sleeve in each hole flush with the track surface.
5. The bottom of the sleeve must remain open to the track aggregate base for drainage.